



Chipsmall Limited consists of a professional team with an average of over 10 year of expertise in the distribution of electronic components. Based in Hongkong, we have already established firm and mutual-benefit business relationships with customers from,Europe,America and south Asia,supplying obsolete and hard-to-find components to meet their specific needs.

With the principle of “Quality Parts,Customers Priority,Honest Operation,and Considerate Service”,our business mainly focus on the distribution of electronic components. Line cards we deal with include Microchip,ALPS,ROHM,Xilinx,Pulse,ON,Everlight and Freescale. Main products comprise IC,Modules,Potentiometer,IC Socket,Relay,Connector.Our parts cover such applications as commercial,industrial, and automotives areas.

We are looking forward to setting up business relationship with you and hope to provide you with the best service and solution. Let us make a better world for our industry!



## Contact us

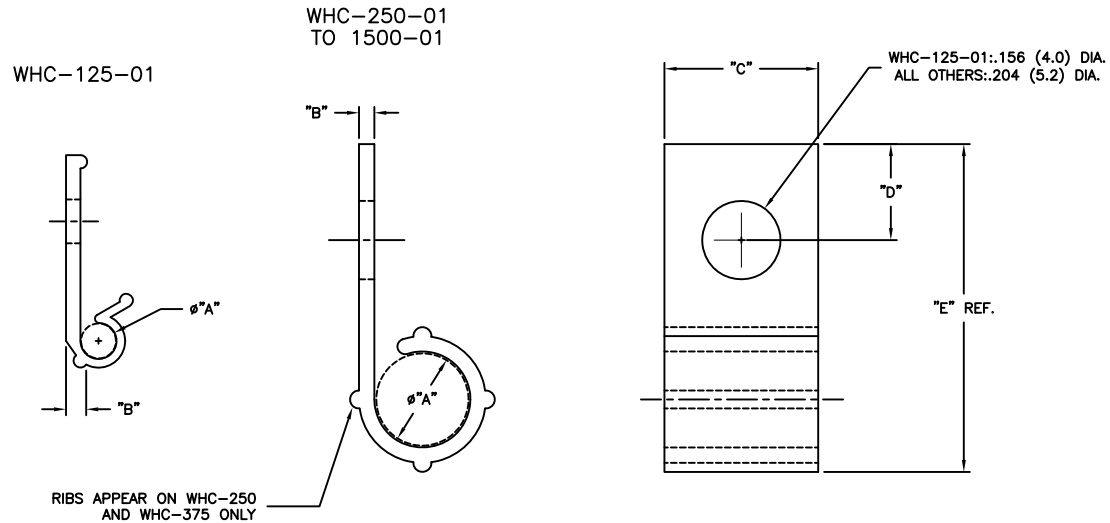
Tel: +86-755-8981 8866 Fax: +86-755-8427 6832

Email & Skype: info@chipsmall.com Web: www.chipsmall.com

Address: A1208, Overseas Decoration Building, #122 Zhenhua RD., Futian, Shenzhen, China



NYLON 6/6 (RMS-01) COLOR: NATURAL PART NO.	"A" REF HOLDING DIAMETER	"B"	"C"	"D"	"E" REF.
WHC-125-01	1/8 (3.2)	.05 (1.3)	.33 (8.4)	.23 (5.8)	.75 (19.1)
WHC-250-01	1/4 (6.4)	.04 (1.0)	.40 (10.2)	.25 (6.4)	.83 (21.1)
WHC-375-01	3/8 (9.5)	.05 (1.3)		.19 (4.8)	
WHC-500-01	1/2 (12.7)	.07 (1.8)	.50 (12.7)	.25 (6.4)	1-5/32 (29.4)
WHC-625-01	5/8 (15.9)	.08 (2.0)		.19 (4.8)	1-1/8 (28.6)
WHC-750-01	3/4 (19.1)	.09 (2.2)		1-9/32 (32.5)	
WHC-1000-01	1 (25.4)	.09 (2.2)		1-17/32 (38.9)	
WHC-1500-01	1-1/2 (38.1)	.10 (2.5)		2-1/8 (53.9)	



NOTES:

- MATERIAL: FLAME RETARDANT (RMS-19), COLOR NATURAL, AVAILABLE BY SPECIAL ORDER. TO ORDER, REPLACE "-01" WITH "-19".
- MATERIAL: UV STABILIZED NYLON (RMS-46), COLOR BLACK, AVAILABLE BY SPECIAL ORDER. TO ORDER, REPLACE "-01" WITH "-UVB"

TITLE: WIRE HARNESS CLIP		DWG IN IN (MM)		FINAL			
TOLERANCES UNLESS NOTED .XX=±.010 .XXX=±.005 FRAC=1/64 ANG=1°	FILE # WHC	DWN: P.B.	APP:	PART #		PRINT TYPE	
	MAT'L: SEE TABLE	DT: 05-02-94	DT:	SEE TABLE		CA	
	RE: RICHCO, INC.	RICHCO INC. PO BOX 804238, CHICAGO, 60680 (773) 539-4060					

REV	DESCRIPTION	ENGR	DATE
H	SEE CO 200664 FOR CHANGES	SK	04.27.11
G	SEE CO 200091 FOR CHANGES	SK	12.18.07
F	SEE ECN #1358 FOR CHANGES	SK	08.24.07
-	SEE ENGINEERING FOR REV A-E	-----	-----