



Chipsmall Limited consists of a professional team with an average of over 10 year of expertise in the distribution of electronic components. Based in Hongkong, we have already established firm and mutual-benefit business relationships with customers from,Europe,America and south Asia,supplying obsolete and hard-to-find components to meet their specific needs.

With the principle of “Quality Parts,Customers Priority,Honest Operation,and Considerate Service”,our business mainly focus on the distribution of electronic components. Line cards we deal with include Microchip,ALPS,ROHM,Xilinx,Pulse,ON,Everlight and Freescale. Main products comprise IC,Modules,Potentiometer,IC Socket,Relay,Connector.Our parts cover such applications as commercial,industrial, and automotives areas.

We are looking forward to setting up business relationship with you and hope to provide you with the best service and solution. Let us make a better world for our industry!



Contact us

Tel: +86-755-8981 8866 Fax: +86-755-8427 6832

Email & Skype: info@chipsmall.com Web: www.chipsmall.com

Address: A1208, Overseas Decoration Building, #122 Zhenhua RD., Futian, Shenzhen, China





WIH-AT-FA

PROJECT INFORMATION

Project Name _____

Catalog No. _____

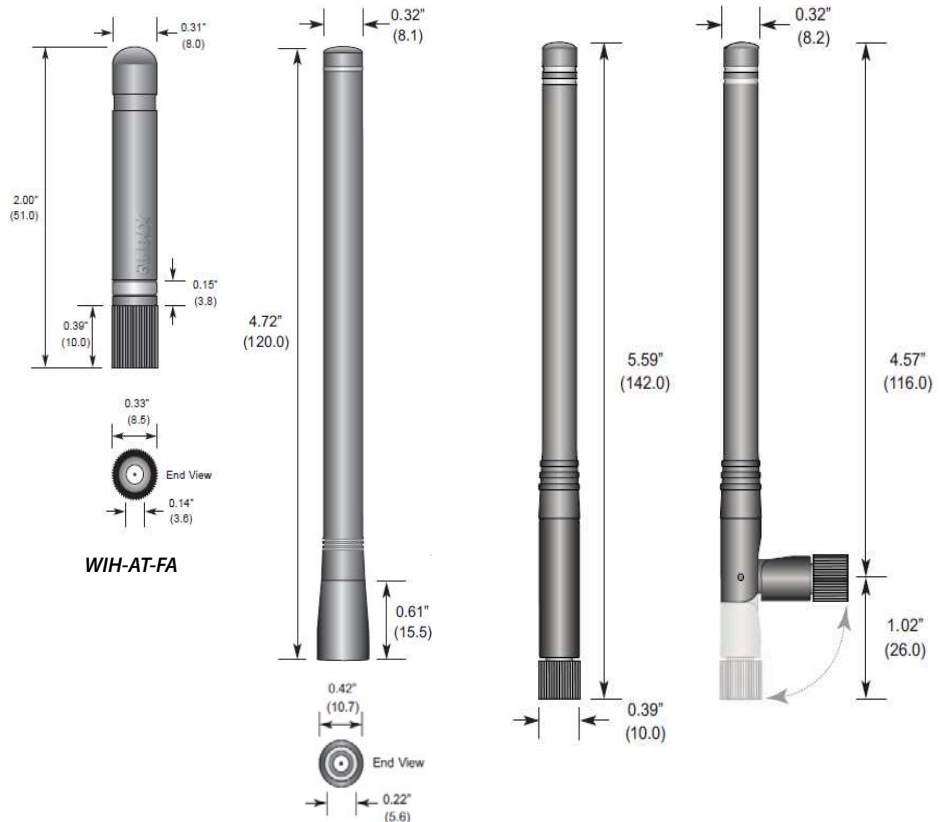
Date _____

Hubbell Controls' *wiHUBB* Antennas are designed to be used with the *wiHUBB* In-Fixture Module and *wiHUBB* Smart Pack. The *wiHUBB* Articulating Antenna and the *wiHUBB* Fixed Antenna-HW are 1/2-wave center-fed dipole antennas. The Articulating Antenna's base allows the antenna to tilt 90 degrees and rotate 360 degrees.

The Articulating Antenna and Fixed Antenna-HW's internal counterpoise eliminates external ground plane dependence and maximizes performance. The *wiHUBB* Fixed Antenna is a 1/4-wave center-fed monopole antenna that utilizes a helical element to greatly reduce the physical length of the antenna housing.

PRODUCT FEATURES

- Multiple antenna options available
- Excellent performance
- Omni-directional pattern
- Fully weatherized
- Rugged and damage-resistant
- Five-year limited warranty



WIH-AT-FA-HW

WIH-AT-AA

General Specifications

Antenna Type	Dipole – No ground plane required: WIH-AT-AA, WIH-AT-FA-HW Monopole – Requires an external proximity ground plane for proper operation: WIH-AT-FA. NOTE: 4"x4" ground plane centered around the antenna base recommended.
Center Frequency	916MHz
Wavelength	½-wave: WIH-AT-AA, WIH-AT-FA-HW ¼-wave: WIH-AT-FA
Voltage Standing Wave Ratio (VSWR)	<2.0 typical at center: WIH-AT-AA <1.9 typical at center: WIH-AT-FA-HW, WIH-AT-FA
Impedance	50 ohms
Connector	RP-SMA
Size	WIH-AT-AA: 5.59"H x 0.32"W with 90° tilt and 360° rotation WIH-AT-FA: 2.00"H x 0.31"W WIH-AT-FA-HW: 4.72"H x 0.32"W
Color	Black
Warranty	Five-year limited

Ordering Information

Antennas

WIH-AT	
MODEL	
WIH-AT	
AA	Articulating Antenna, Dipole – No Ground Plane Required, 5.59" H with 90° Bend
FA	Fixed Antenna, Monopole – Requires Ground Plane, 2.00" H, with 24" cable & mounting hardware
FA-36	Fixed Antenna, Monopole – Requires Ground Plane, 2.00" H, with 36" cable & mounting hardware
FA-48	Fixed Antenna, Monopole – Requires Ground Plane, 2.00" H, with 48" cable & mounting hardware
FA-HW	Fixed Antenna, Dipole – No Ground Plane Required, 4.72" H

Antenna Cables

WIH-AT	
MODEL	
WIH-AT	
TYPE	
CAB24IN	Antenna Cable, 24" cable (Includes mounting hardware)
CAB36IN	Antenna Cable, 36" cable (Includes mounting hardware)
CAB48IN	Antenna Cable, 48" cable (Includes mounting hardware)



HUBBELL
Control Solutions