



Chipsmall Limited consists of a professional team with an average of over 10 year of expertise in the distribution of electronic components. Based in Hongkong, we have already established firm and mutual-benefit business relationships with customers from,Europe,America and south Asia,supplying obsolete and hard-to-find components to meet their specific needs.

With the principle of "Quality Parts,Customers Priority,Honest Operation,and Considerate Service",our business mainly focus on the distribution of electronic components. Line cards we deal with include Microchip,ALPS,ROHM,Xilinx,Pulse,ON,Everlight and Freescale. Main products comprise IC,Modules,Potentiometer,IC Socket,Relay,Connector.Our parts cover such applications as commercial,industrial, and automotives areas.

We are looking forward to setting up business relationship with you and hope to provide you with the best service and solution. Let us make a better world for our industry!



Contact us

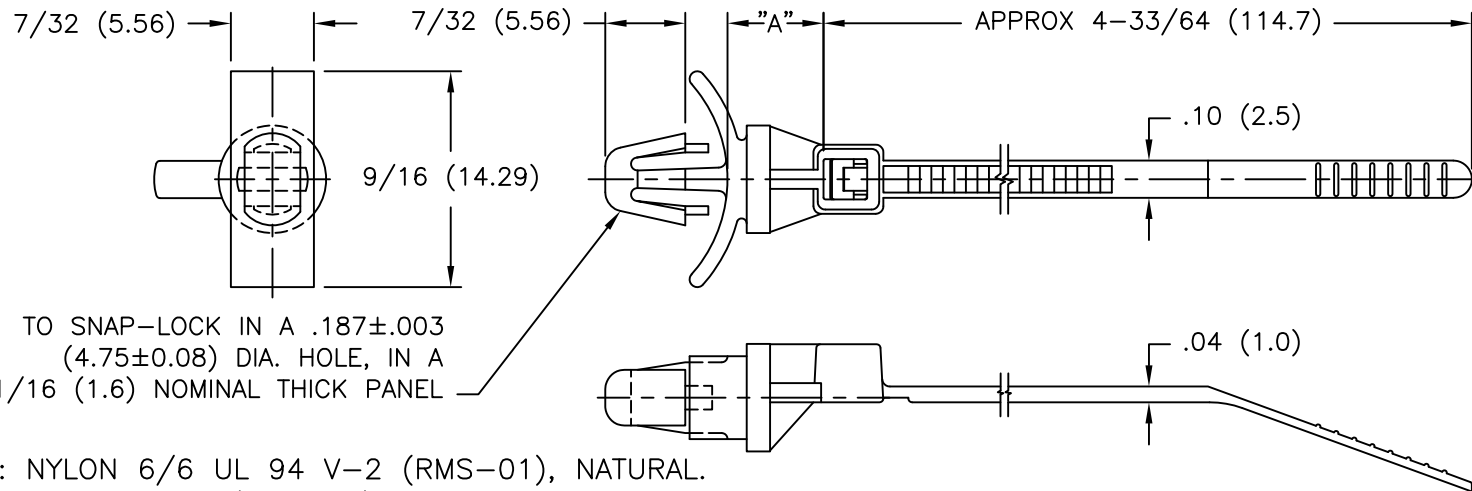
Tel: +86-755-8981 8866 Fax: +86-755-8427 6832

Email & Skype: info@chipsmall.com Web: www.chipsmall.com

Address: A1208, Overseas Decoration Building, #122 Zhenhua RD., Futian, Shenzhen, China



PART NO.	DIM. "A"
WIT-18RA-4-01-M	1/4"(6.4)



NOTES:

- MATERIAL: NYLON 6/6 UL 94 V-2 (RMS-01), NATURAL.
-UV STABILIZED NYLON (RMS-46), BLACK. BY SPECIAL ORDER.
-NYLON 4/6 HIGH TEMPERATURE (RMS-109) AVAILABLE BY SPECIAL ORDER. TO ORDER REPLACE "-01" WITH "-HT".
- MIN. LOOP TENSILE: 18 LBS (80 NEWTONS).
- MAX. BUNDLE DIAMETER: 3/4 (19.1).
- THE SUFFIX "-M" IS FOR PACKAGING OF 1000 PCS

H	SEE CO 200698 FOR CHANGES	SK 08.16.11
G	SEE CO 200661 FOR CHANGES	SK 05.12.11
F	SEE CO 200557 FOR CHANGES	SK 07.19.10
E	SEE CO 200445 FOR CHANGES	SK 09.23.09
D	SEE CO 200134 FOR CHANGES	SK 02.28.08
C	COMPLETELY RE-DRAWN; NEW NOTES AND CHANGED FILE NO.	SM 03.15.01
B	ADDED NOTE 6.	SM 02.23.01
A	MAT'L UV NYLON (RMS-46) ADDED	JL 01.18.00
REV	DESCRIPTION	ENGR DATE

TITLE: SELF MOUNT WRAP-IT-TIES

TOLERANCES
UNLESS NOTED
.XX= $\pm .010$
.XXX= $\pm .005$
FRAC= $\pm 1/64$
ANG= $\pm 1'$

FILE # WIT-18RA

MAT'L: SEE NOTES

RE: RICHCO, INC.

DWN: S.M.

DT: 03/15/01

APP:
RICHCO INC.
PO BOX 804238, CHICAGO, 60680
(773) 539-4060



DWG IN
IN (MM)



FINAL

PART #
SEE TABLE

PRINT
TYPE
CA