



Chipsmall Limited consists of a professional team with an average of over 10 year of expertise in the distribution of electronic components. Based in Hongkong, we have already established firm and mutual-benefit business relationships with customers from,Europe,America and south Asia,supplying obsolete and hard-to-find components to meet their specific needs.

With the principle of "Quality Parts,Customers Priority,Honest Operation,and Considerate Service",our business mainly focus on the distribution of electronic components. Line cards we deal with include Microchip,ALPS,ROHM,Xilinx,Pulse,ON,Everlight and Freescale. Main products comprise IC,Modules,Potentiometer,IC Socket,Relay,Connector.Our parts cover such applications as commercial,industrial, and automotives areas.

We are looking forward to setting up business relationship with you and hope to provide you with the best service and solution. Let us make a better world for our industry!



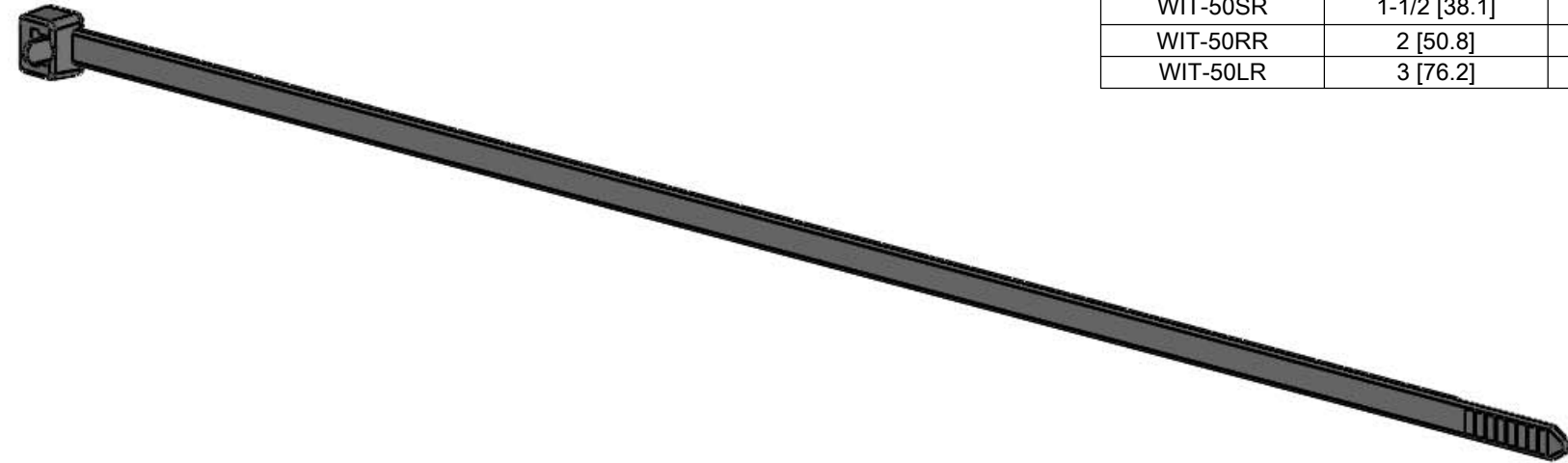
Contact us

Tel: +86-755-8981 8866 Fax: +86-755-8427 6832

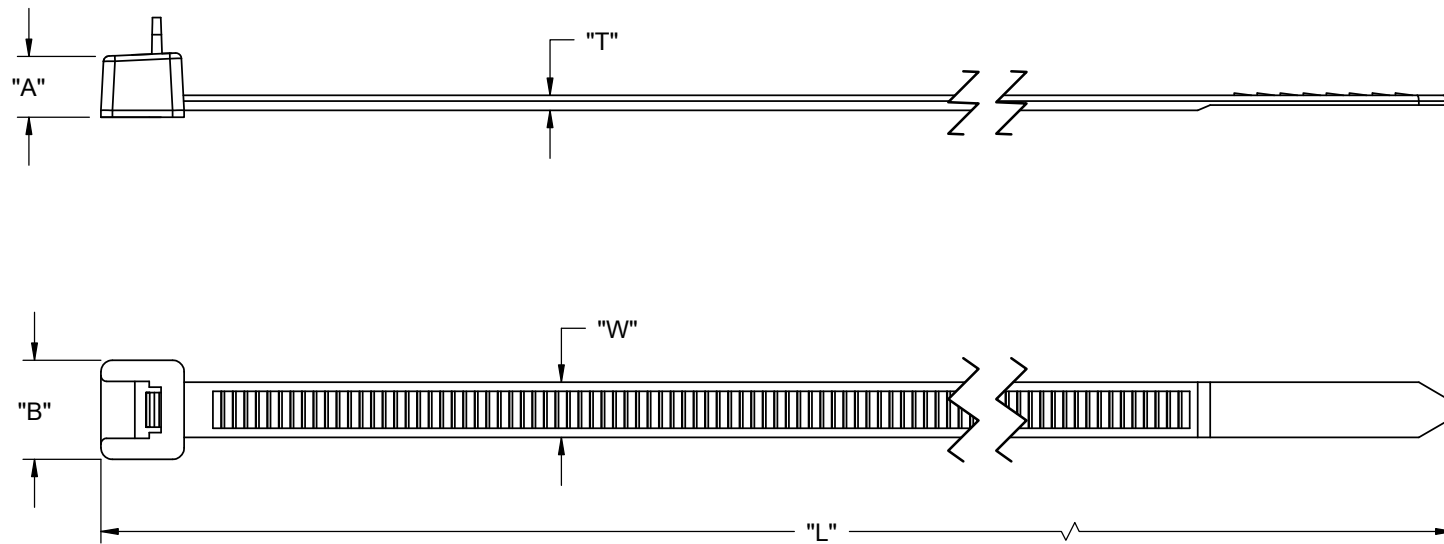
Email & Skype: info@chipsmall.com Web: www.chipsmall.com

Address: A1208, Overseas Decoration Building, #122 Zhenhua RD., Futian, Shenzhen, China





PART NO.	MAX BUNDLE DIA.	"L" LENGTH APPROX.	"W" WIDTH REF	"T" THICKNESS REF	"A"	"B"	MIN LOOP TENSILE
WIT-50SR	1-1/2 [38.1]	6 [152.4]	.19 [4.8]	.05 [1.3]	.21 [5.3]	.31 [7.9]	50 lbf [22.7kgf]
WIT-50RR	2 [50.8]	8 [203.2]			.22 [5.6]	.34 [8.6]	
WIT-50LR	3 [76.2]	11-21/32 [295.9]					



- NOTES:
- MATERIAL: NYLON 6/6 UL 94 V-2 (RMS-01).
COLOR: NATURAL.
 - MATERIAL: UV STABILIZED NYLON 6/6 UL 94 V-2 (RMS-46).
COLOR BLACK.
TO ORDER USE P/N: WIT-50XX-UVB.
 - MATERIAL: NYLON 6/6 UL 94 V-0 (RMS-75), COLOR NATURAL.
AVAILABLE BY SPECIAL ORDER ONLY.
TO ORDER USE PART P/N: WIT-50XX-V0
 - COLORS: GREEN (-GN), BLUE (-BL), YELLOW (-YL)
AND RED (-RD) AVAILABLE BY SPECIAL ORDER ONLY.
TO ORDER ADD COLOR SUFFIX TO PART NO.
 - PACKAGING QUANTITIES ARE REFLECTED AS THE SUFFIX "-LETTER".
EXAMPLE: WIT-50RR-UVB-M FOR 1000 PCS PER BAG.
-C = 100 PCS
-M = 1000 PCS
-XL = NO LABEL

REV.	DESCRIPTION	ENGR.	DATE
G	ADDED NOTE 4. SEE CO 200661 FOR CHANGES	SK	05/12/11
F	SEE CO 200557 FOR CHANGES	SK	07/19/10
E	SEE CO 200161 FOR CHANGES	SK	04/15/08
D	REDRAWN, SEE CO 200085 FOR CHANGES	SK	12/07/07
-	SEE ENGINEERING FOR REV A-C	---	-----

TITLE: RELEASABLE WIRE TIES							
CREATED USING SOLIDWORKS		FILE #: WIT-XXXXR	DWN: S.K.	APP: D.Z.		FINAL	
TOLERANCES UNLESS NOTED .XX=±.010 .XXX=±.005 FRAC.=±1/64 ANG.=±1°		SHEET: 1 OF 1 SHEET SIZE: B	DT: 12/07/07	CHKD: R.T.		PART #	PRINT TYPE
RE: RICHCO INC.		RICHCO, INC. ENG@RICHCO-INC.COM (773) 539-4060		SEE TABLE		CA	