



Chipsmall Limited consists of a professional team with an average of over 10 year of expertise in the distribution of electronic components. Based in Hongkong, we have already established firm and mutual-benefit business relationships with customers from,Europe,America and south Asia,supplying obsolete and hard-to-find components to meet their specific needs.

With the principle of “Quality Parts,Customers Priority,Honest Operation,and Considerate Service”,our business mainly focus on the distribution of electronic components. Line cards we deal with include Microchip,ALPS,ROHM,Xilinx,Pulse,ON,Everlight and Freescale. Main products comprise IC,Modules,Potentiometer,IC Socket,Relay,Connector.Our parts cover such applications as commercial,industrial, and automotives areas.

We are looking forward to setting up business relationship with you and hope to provide you with the best service and solution. Let us make a better world for our industry!



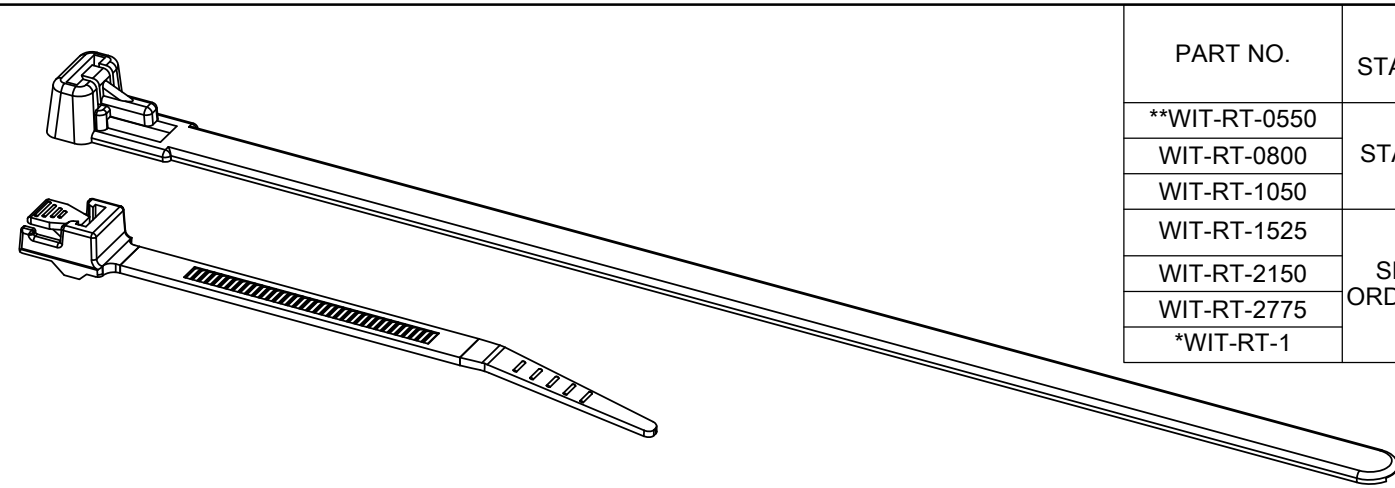
Contact us

Tel: +86-755-8981 8866 Fax: +86-755-8427 6832

Email & Skype: info@chipsmall.com Web: www.chipsmall.com

Address: A1208, Overseas Decoration Building, #122 Zhenhua RD., Futian, Shenzhen, China





PART NO.	UVB STABILIZED	BUNDLE DIA. MIN	BUNDLE DIA. MAX	"L" LENGTH APPROX	"W" WIDTH REF	"T" THICKNESS REF	"A"	"B"	"C"	MIN LOOP TENSILE	FIGURE NO.
**WIT-RT-0550	STANDARD	3/16 [4.8]	1-1/4 [31.8]	5-1/2 [139.7]	.21 [5.3]	.05 [1.3]	.24 [6.1]	.36 [9.1]	.45 [11.4]	40 lbf (18 kgf)	1
WIT-RT-0800			2 [50.8]	8 [203.2]							
WIT-RT-1050			2-1/2 [63.5]	10-1/2 [266.7]							
WIT-RT-1525	SPECIAL ORDER ONLY	2 [50.8]	4 [101.6]	15-1/4 [387.4]	.52 [13.2]	.09 [2.3]	.38 [9.7]	.80 [20.3]	.86 [21.8]	250 lbf (113 kgf)	
WIT-RT-2150			6 [152.4]	21-1/2 [546.1]							
WIT-RT-2775			8 [203.2]	27-3/4 [704.9]							
*WIT-RT-1			1/4 [6.4]	1-7/8 [48]							8-3/32 [206]

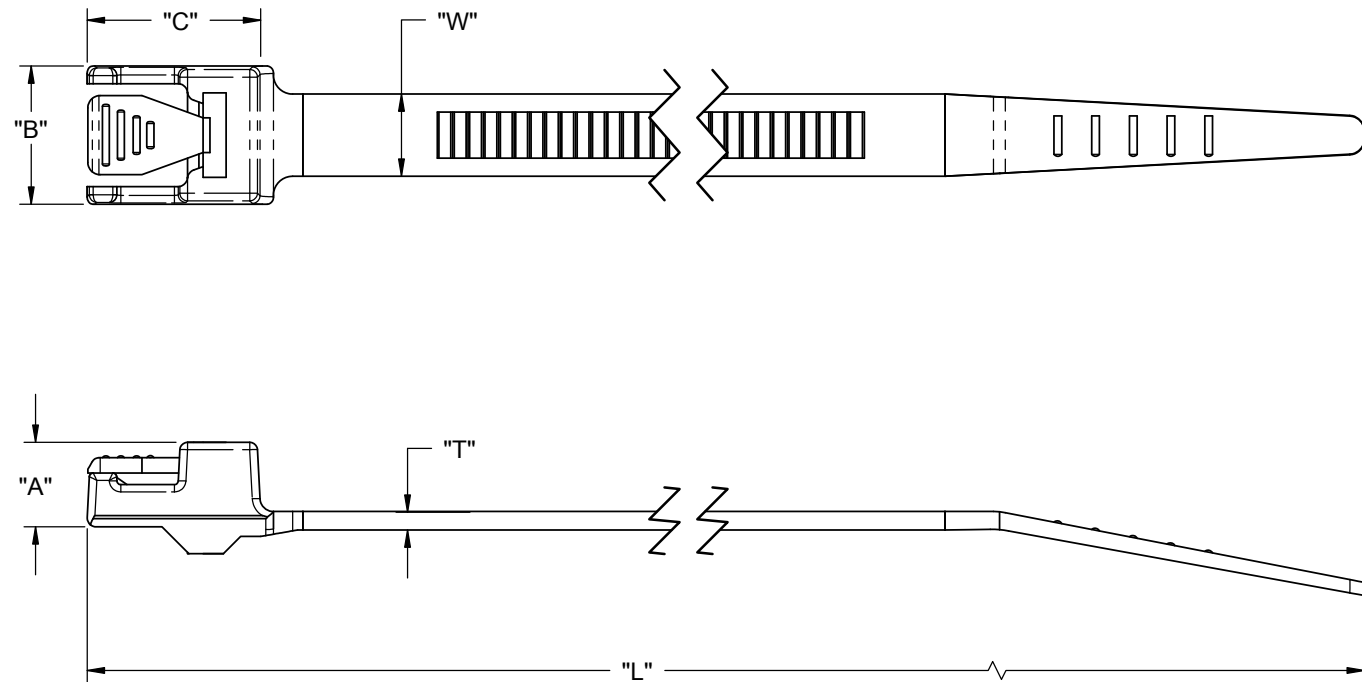


FIG 1.

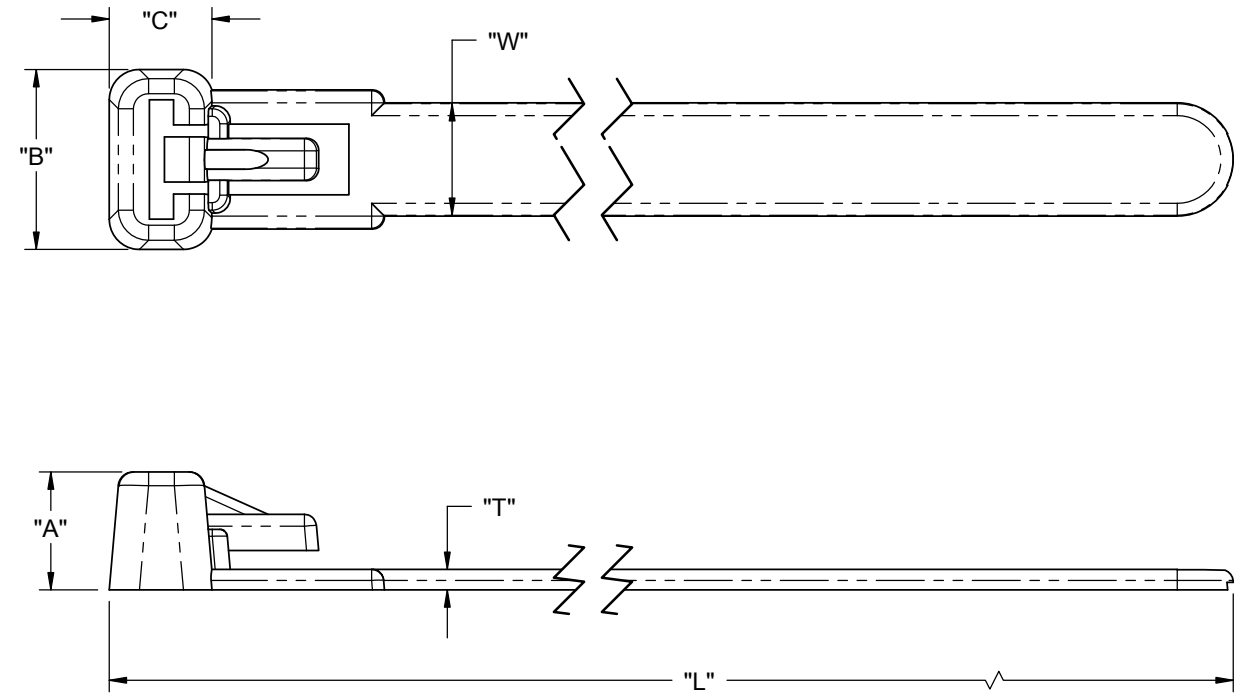


FIG 2.

NOTES:
 1. MATERIAL: NYLON 6/6 UL 94 V-2 (RMS-01), COLOR NATURAL.
 *COLOR BLACK, BY SPECIAL ORDER ONLY(-BK).

UV STABILIZED NYLON 6/6 (RMS-46), COLOR BLACK.
 TO ORDER USE P/N: WIT-RT-XXXX-UVB

**NYLON 6/6 (RMS-75), COLOR NATURAL,
 AVAILABLE BY SPECIAL ORDER ONLY.
 TO ORDER USE P/N: WIT-RT-XXXX-V0.

2. COLORS: GREEN (-GN), BLUE (-BL), YELLOW (-YL) AND RED (-RD)
 AVAILABLE BY SPECIAL ORDER ONLY.
 TO ORDER ADD COLOR SUFFIX TO PART NO.

3. PACKAGING QUANTITIES ARE REFLECTED AS THE SUFFIX "-LETTER".
 EXAMPLE: WIT-50R-M.-"M" FOR 1000 PCS PER BAG

-Q = 25 pcs
 -M = 1000 pcs
 -XL = NO LABEL

REV.	DESCRIPTION	ENGR.	DATE
D	SEE CO 200673 FOR CHANGES	SK	05.31.11
C	ADDED NOTE 3.SEE CO 200661 FOR CHANGES	SK	05/12/11
B	SEE CO 200501 FOR CHANGES	SK	02/22/10
A	REDRAWN, SEE CO 200081 FOR CHANGES	SK	12/05/07

TITLE: RELEASE TAB WRAP IT TIES				DWG IN [MM]		FINAL	
CREATED USING SOLIDWORKS	FILE #: WIT-RT	DWN: SK	APP: D.Z.	PART #			
TOLERANCES UNLESS NOTED .XX=±.010 .XXX=±.005 FRAC.=±1/64 ANG.=±1°	SHEET: 1 OF 1 SHEET SIZE: B	DT: 12/04/07	CHKD: S.J.	SEE TABLE		PRINT TYPE	
RE: RICHCO, INC.		RICHCO, INC. ENG@RICHCO-INC.COM (773) 539-4060		CA			