



Chipsmall Limited consists of a professional team with an average of over 10 year of expertise in the distribution of electronic components. Based in Hongkong, we have already established firm and mutual-benefit business relationships with customers from,Europe,America and south Asia,supplying obsolete and hard-to-find components to meet their specific needs.

With the principle of "Quality Parts,Customers Priority,Honest Operation,and Considerate Service",our business mainly focus on the distribution of electronic components. Line cards we deal with include Microchip,ALPS,ROHM,Xilinx,Pulse,ON,Everlight and Freescale. Main products comprise IC,Modules,Potentiometer,IC Socket,Relay,Connector.Our parts cover such applications as commercial,industrial, and automotives areas.

We are looking forward to setting up business relationship with you and hope to provide you with the best service and solution. Let us make a better world for our industry!



Contact us

Tel: +86-755-8981 8866 Fax: +86-755-8427 6832

Email & Skype: info@chipsmall.com Web: www.chipsmall.com

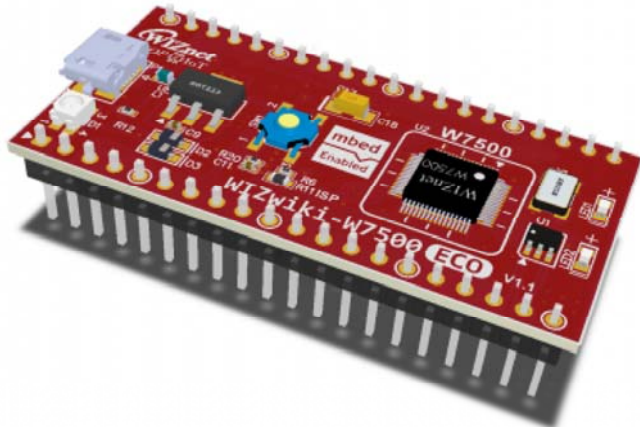
Address: A1208, Overseas Decoration Building, #122 Zhenhua RD., Futian, Shenzhen, China





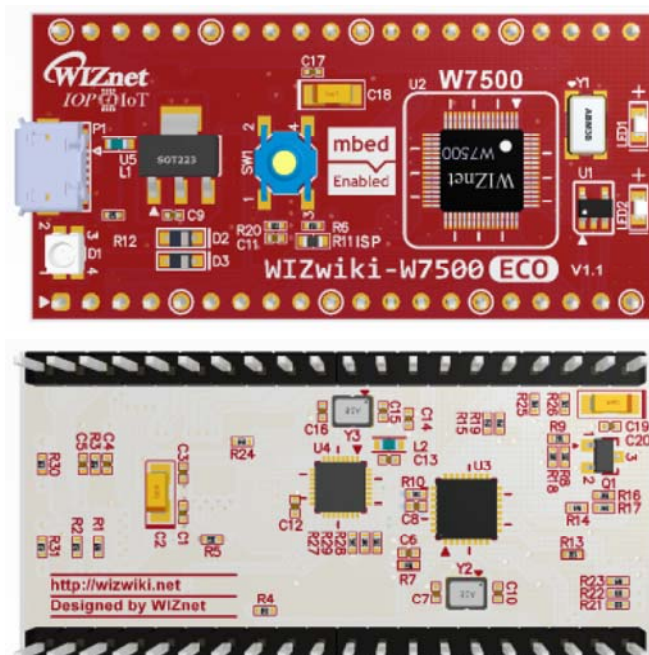
Document Wiki

WIZwiki-W7500ECO



WIZwiki Platform

WIZnet WIZwiki-W7500ECO is a WIZwiki platform board based on W7500. The IOP4IoT W7500 chip is one-chip solution which integrates an ARM Cortex-M0, 128KB Flash and hardwired TCP/IP core for various embedded application platform especially internet of things. You can develop prototype product more quickly using WIZwiki-W7500ECO and it includes CMSIS-DAP for debugging and ethernet-phy.



Features

WIZnet W7500

- ARM Cortex-M0 Core
- 48MHz, 128KB Flash
- 16KB RAM
- 32KB RAM for TCP/IP - Can be extended to system RAM
- Hardwired TCP/IP Core
- MII Interface
- ADC (8)
- GPIO (53)
- SWD (Serial Wire Debug)
- Timer/PWM
- UART (3)
- SPI (2)
- I2C (2)

External Ethernet PHY

- IC+ IP101GRI
- Single Port 10/100 MII/RMII/TP/Fiber Fast Ethernet Transceiver
- Auto MDI/MDIX function
- Supports MDC and MDIO to communicate with the MAC

CMSIS-DAP

- LPC11U35FHI33/501, ARM Cortex-M0 Core, NXP
- Drag-n-drop programming
- USB Serial Port
- Easy to use C/C++ SDK

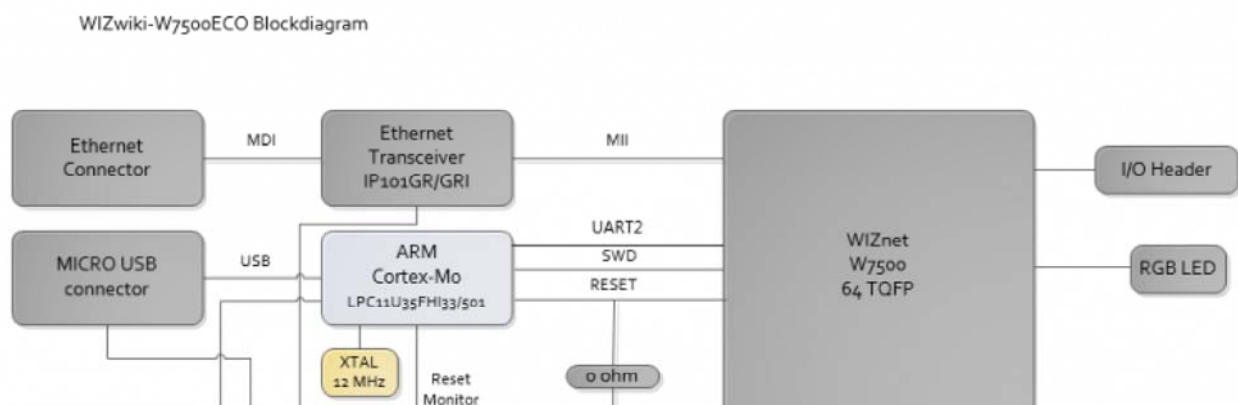
Connector

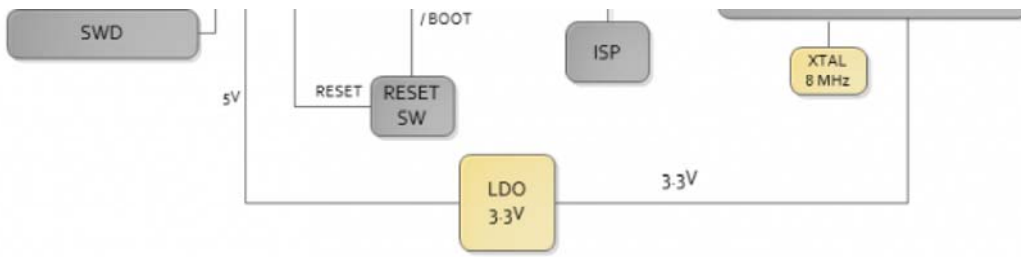
- Micro USB
- Slim Size RJ45(with transformer)
- GPIO Header

ETC

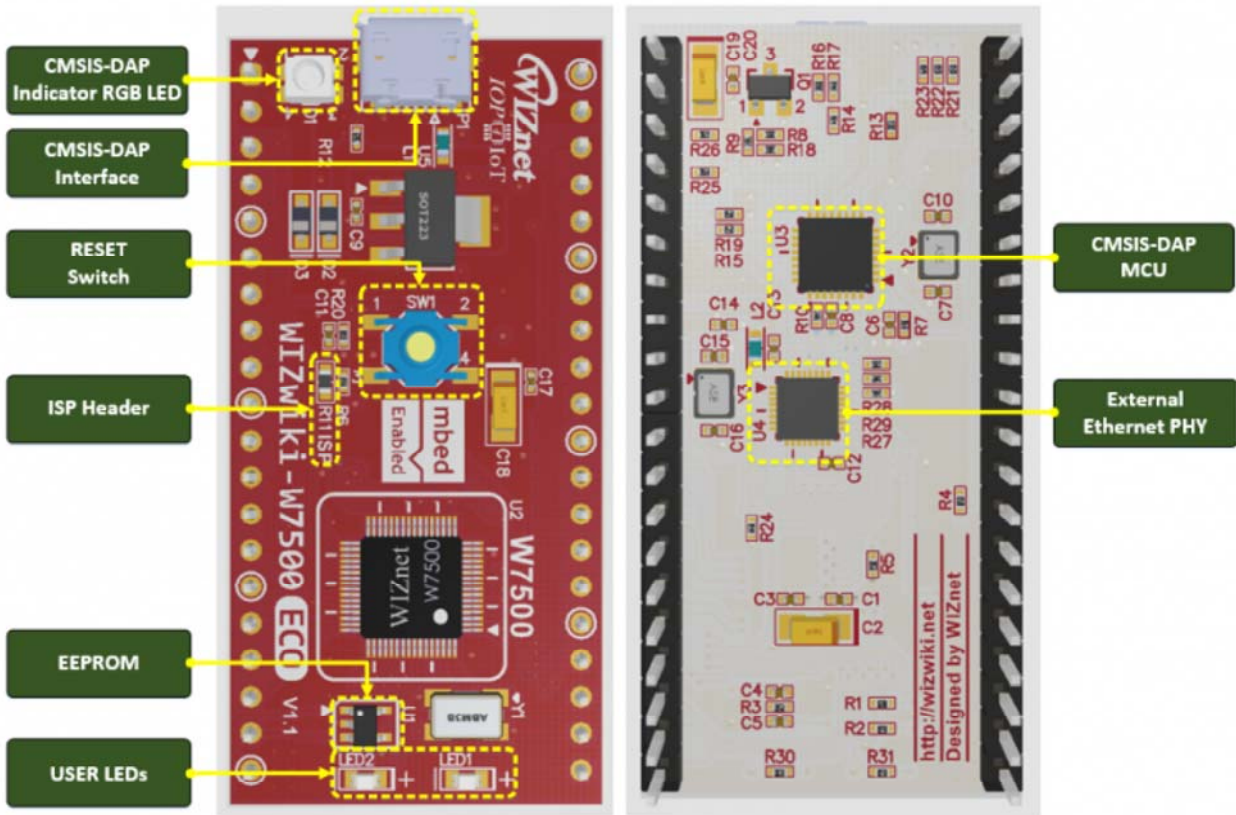
- Power source - micro USB or external 5V pin
- 1 RESET SW.
- RGB LED for CMSIS-DAP
- 2 Blue LED for USER
- 2 2.54mm 1×20 External connector

WIZwiki-W7500ECO Blockdiagram

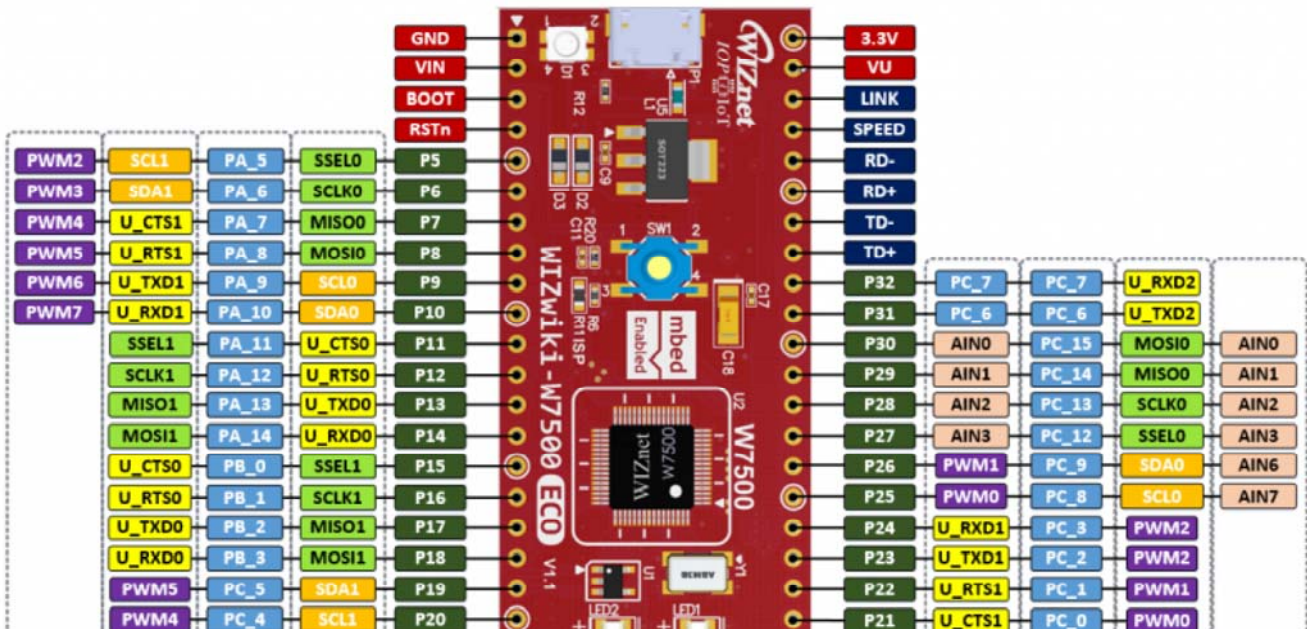




WIZwiki-W7500ECO Callout

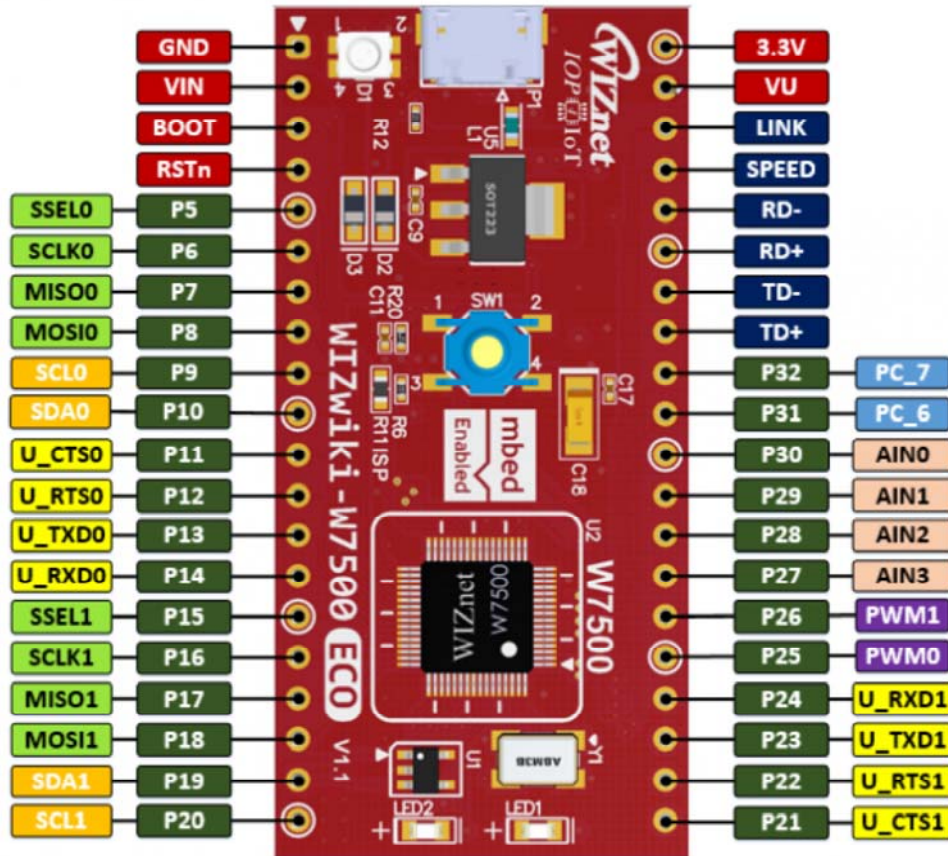


WIZwiki-W7500ECO Detail Pinout





WIZwiki-W7500ECO Simple Pinout



Firmware

W7500 Library

- [W7500 Library PAGE](#)

Getting Started

- [How to start WIZwiki-W7500ECO Board](#)
- [How to install WIZwiki-W7500ECO serial driver](#)
- [How to write the firmware into WIZwiki-W7500ECO](#)
- [How to debug WIZwiki-W7500ECO](#)
- [How to write the firmware into CMSIS-DAP](#)

Make New WIZwiki-W7500ECO Projects

- [How to install KEIL uVision5](#)
- [How to create KEIL uVision5 new project for W7500](#)
- [How to use MDK for W7500 Peripherals Examples](#)
- [How to use gcc for W7500 Peripherals Examples](#)

Technical Reference

Datasheet

- W7500 Documents [<http://wizwiki.net/wiki/doku.php?id=products:w7500:documents>]
- IP101GRI Datasheet [http://www.bdtic.com/DataSheet/ICplus/IP101G_DS_R01_20121224.pdf]
- LPC11U35FHH33/501 Datasheet [http://www.nxp.com/documents/data_sheet/LPC11U3X.pdf]

Schematic

- Schematic Version 1.1
- WIZwiki-W7500eco V1.1 Schematic (Altium Designer)
- WIZwiki-W7500eco V1.1 Schematic (PDF)

Part list

- WIZwiki-W7500eco V1.1 BOM (PDF)

Dimension

- WIZwiki-W7500ECO V1.1 Dimension

