



Chipsmall Limited consists of a professional team with an average of over 10 year of expertise in the distribution of electronic components. Based in Hongkong, we have already established firm and mutual-benefit business relationships with customers from,Europe,America and south Asia,supplying obsolete and hard-to-find components to meet their specific needs.

With the principle of “Quality Parts,Customers Priority,Honest Operation,and Considerate Service”,our business mainly focus on the distribution of electronic components. Line cards we deal with include Microchip,ALPS,ROHM,Xilinx,Pulse,ON,Everlight and Freescale. Main products comprise IC,Modules,Potentiometer,IC Socket,Relay,Connector.Our parts cover such applications as commercial,industrial, and automotives areas.

We are looking forward to setting up business relationship with you and hope to provide you with the best service and solution. Let us make a better world for our industry!



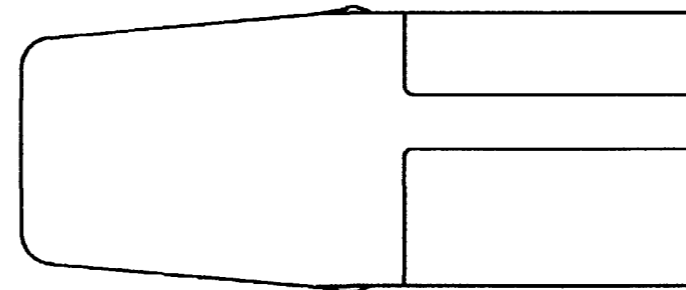
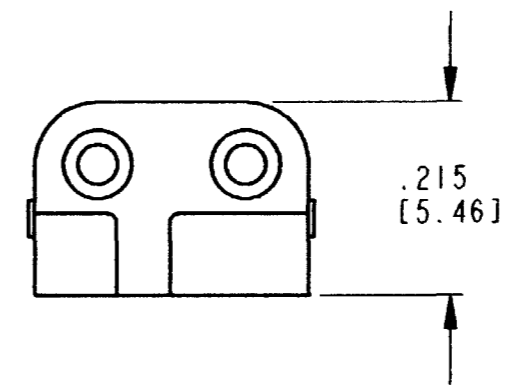
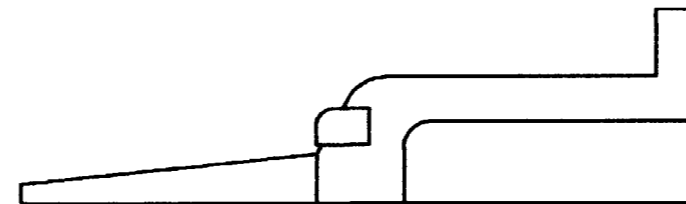
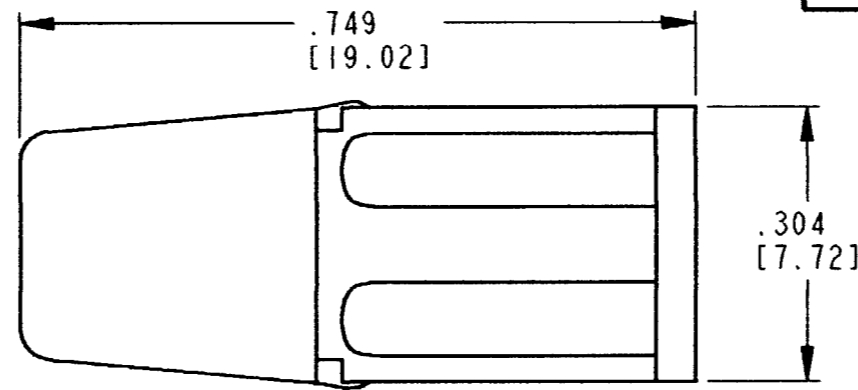
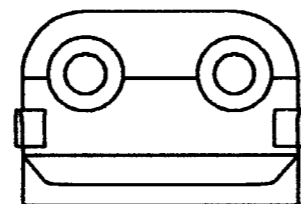
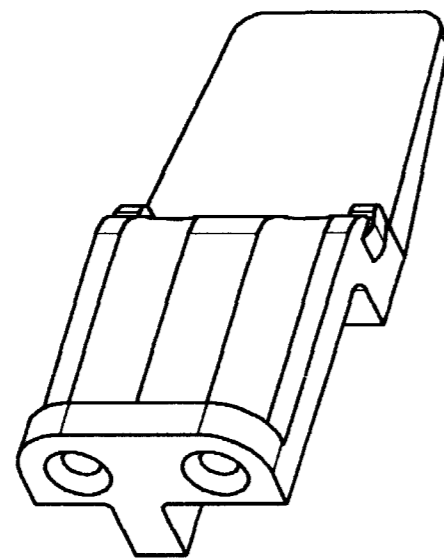
Contact us

Tel: +86-755-8981 8866 Fax: +86-755-8427 6832

Email & Skype: info@chipsmall.com Web: www.chipsmall.com

Address: A1208, Overseas Decoration Building, #122 Zhenhua RD., Futian, Shenzhen, China





REV
A **WM-2S**

REVISIONS			
SYM	DESCRIPTION	DATE	APPROVED
NC	NEW RELEASE PER E.O. A14914	10-27-95	R.D.R.
A	REDRAWN & REVISED PER E.O. P19420	12-11-06	RDR


- 4. THIS WEDGE LOCK MATES WITH DTM06-2S-**** PLUG (**** = ALL MODIFICATIONS).
- 3. MATERIAL: PLASTIC; COLOR: ORANGE.
- 2. DIMENSION TOLERANCE: $\pm .025$ [.64].
- 1. DIMENSIONS ARE IN INCHES [mm].

NOTES: UNLESS OTHERWISE SPECIFIED

SIGNATURE & DATE	
DR	J. APOSTOL 21NOV2006
CHK	R. Meyer 12/14/06
PE	D. Meyer 12/20/06
APPD	R. Reed 12-11-06
SCALE	NONE WT

WEDGE LOCK
2 CONTACTS
PLUG HOUSING
DTM SERIES

ENVELOPE

EP	MATL. CODE
The Deutsch Company  DEUTSCH I.P.D. 3850 INDUSTRIAL AVE. HEMET, CALIF. 92545	
B	WM-2S
DWG SIZE	CODE 11139 SHEET OF