



Chipsmall Limited consists of a professional team with an average of over 10 year of expertise in the distribution of electronic components. Based in Hongkong, we have already established firm and mutual-benefit business relationships with customers from,Europe,America and south Asia,supplying obsolete and hard-to-find components to meet their specific needs.

With the principle of “Quality Parts,Customers Priority,Honest Operation,and Considerate Service”,our business mainly focus on the distribution of electronic components. Line cards we deal with include Microchip,ALPS,ROHM,Xilinx,Pulse,ON,Everlight and Freescale. Main products comprise IC,Modules,Potentiometer,IC Socket,Relay,Connector.Our parts cover such applications as commercial,industrial, and automotives areas.

We are looking forward to setting up business relationship with you and hope to provide you with the best service and solution. Let us make a better world for our industry!



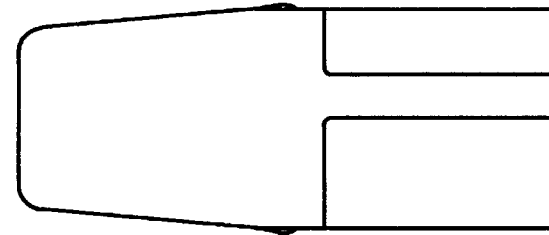
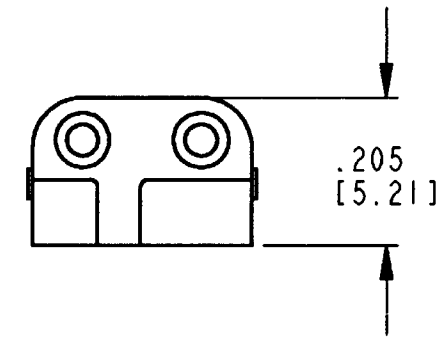
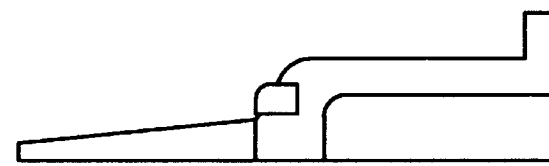
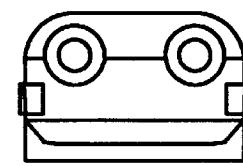
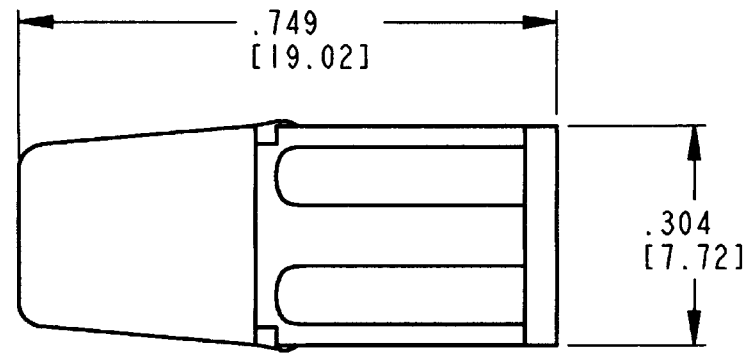
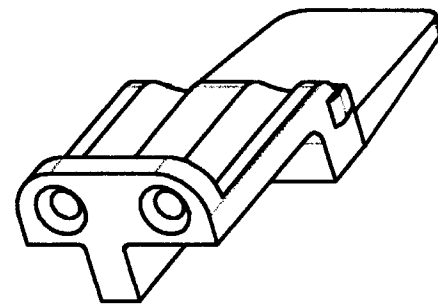
Contact us

Tel: +86-755-8981 8866 Fax: +86-755-8427 6832

Email & Skype: info@chipsmall.com Web: www.chipsmall.com

Address: A1208, Overseas Decoration Building, #122 Zhenhua RD., Futian, Shenzhen, China





REV
NC **WM-2SA**

REVISIONS			
SYM	DESCRIPTION	DATE	APPROVED
NC	NEW RELEASE PER E.O. P17051	1-8-01	RDR

4. THIS WEDGE LOCK MATES WITH DTM06-2S-**** PLUG (**** = ALL MODIFICATIONS).
3. MATERIAL: PLASTIC; COLOR: GRAY.
2. DIMENSION TOLERANCE: $\pm .025$ [.64].
1. DIMENSIONS ARE IN INCHES [mm].

NOTES:

SIGNATURE & DATE	
DR	D. MEYER 01/02/01
CHK	B. Reed 1/08/01
PE	D. Meyer 1/2/01
APPD	R. Reed 1-8-01
SCALE	NONE
WT	

WEDGE LOCK, "A" KEY
2 CONTACTS, SIZE 20
DTM SERIES

ENVELOPE

CP	MATL. CODE
The Deutch Company DEUTSCH I.P.D. 3850 INDUSTRIAL AVE. HEMET, CALIF. 92545	
B	WM-2SA
DWG SIZE	CODE SHEET OF
11139	