



Chipsmall Limited consists of a professional team with an average of over 10 year of expertise in the distribution of electronic components. Based in Hongkong, we have already established firm and mutual-benefit business relationships with customers from,Europe,America and south Asia,supplying obsolete and hard-to-find components to meet their specific needs.

With the principle of “Quality Parts,Customers Priority,Honest Operation,and Considerate Service”,our business mainly focus on the distribution of electronic components. Line cards we deal with include Microchip,ALPS,ROHM,Xilinx,Pulse,ON,Everlight and Freescale. Main products comprise IC,Modules,Potentiometer,IC Socket,Relay,Connector.Our parts cover such applications as commercial,industrial, and automotives areas.

We are looking forward to setting up business relationship with you and hope to provide you with the best service and solution. Let us make a better world for our industry!



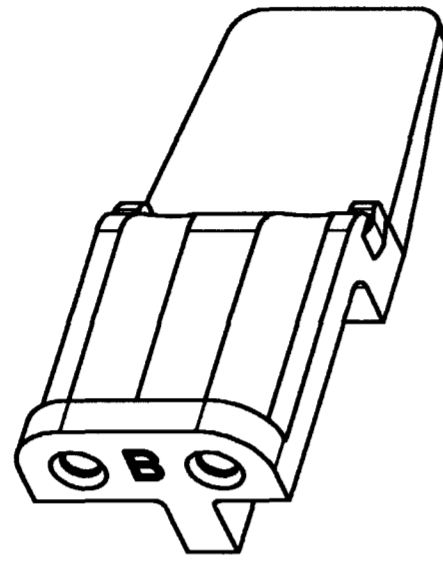
Contact us

Tel: +86-755-8981 8866 Fax: +86-755-8427 6832

Email & Skype: info@chipsmall.com Web: www.chipsmall.com

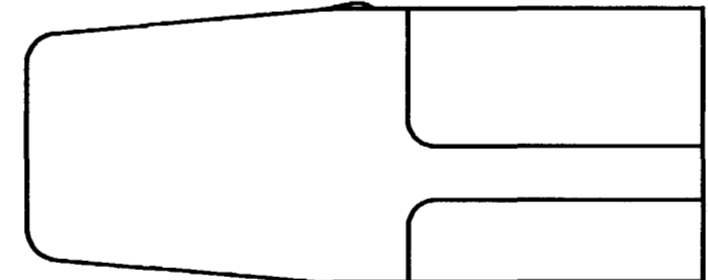
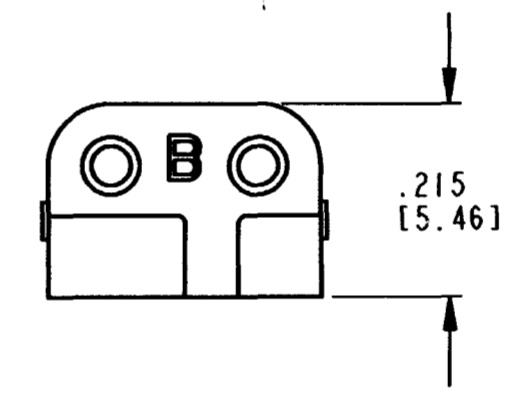
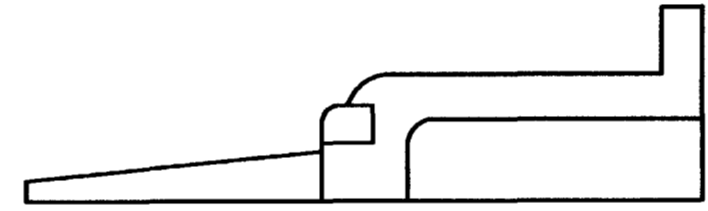
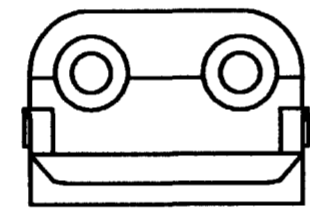
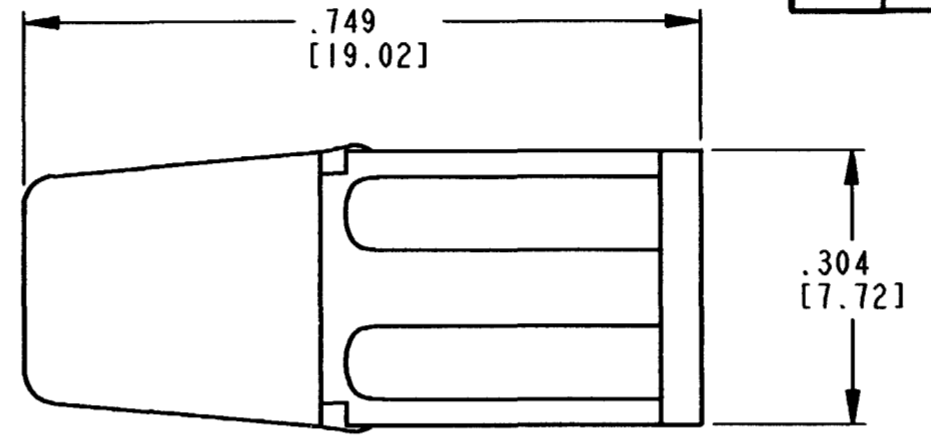
Address: A1208, Overseas Decoration Building, #122 Zhenhua RD., Futian, Shenzhen, China





REV
B WM-2SB

REVISIONS			
SYM	DESCRIPTION	DATE	APPROVED
NC	NEW RELEASE PER E.O. P15181	1-7-97	R.D.R.
A	REDRAWN & REVISED PER E.O. P19420	12/11/06	R.D.R.
B	REVISED PER E.O. P19965	8-8-08	RDR



- (B1) 4. THIS WEDGE LOCK MATES WITH DTM06-2S-**** PLUG (**** = ALL MODIFICATIONS).
3. MATERIAL: PLASTIC; COLOR: BLACK.
2. DIMENSION TOLERANCE: $\pm .025$ [.64].
1. DIMENSIONS ARE IN INCHES [mm].

NOTES: UNLESS OTHERWISE SPECIFIED

SIGNATURE & DATE	
DR	J. APOSTOL 21 NOV 2006
CHK	[Signature] 8/8/08
PE	D. Whitacre 8/1/08
APPD	[Signature] 8/1/08
SCALE	NONE DT

WEDGE LOCK
2 CONTACTS
PLUG HOUSING
DTM SERIES

ENVELOPE

EP	MATL. CODE
3850 INDUSTRIAL AVE. HEMET, CA 92545	
B	WM-2SB
DWG SIZE	CODE 11139 SHEET 1 OF 1