



Chipsmall Limited consists of a professional team with an average of over 10 year of expertise in the distribution of electronic components. Based in Hongkong, we have already established firm and mutual-benefit business relationships with customers from,Europe,America and south Asia,supplying obsolete and hard-to-find components to meet their specific needs.

With the principle of "Quality Parts,Customers Priority,Honest Operation,and Considerate Service",our business mainly focus on the distribution of electronic components. Line cards we deal with include Microchip,ALPS,ROHM,Xilinx,Pulse,ON,Everlight and Freescale. Main products comprise IC,Modules,Potentiometer,IC Socket,Relay,Connector.Our parts cover such applications as commercial,industrial, and automotives areas.

We are looking forward to setting up business relationship with you and hope to provide you with the best service and solution. Let us make a better world for our industry!



Contact us

Tel: +86-755-8981 8866 Fax: +86-755-8427 6832

Email & Skype: info@chipsmall.com Web: www.chipsmall.com

Address: A1208, Overseas Decoration Building, #122 Zhenhua RD., Futian, Shenzhen, China



Omnidirectional Back Electret Condenser Microphone Cartridge

WM-64PN

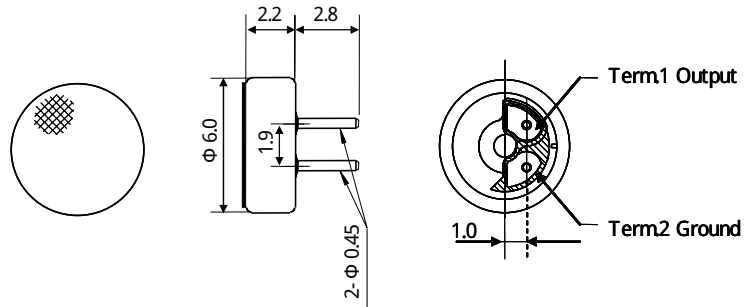
- Small and thin omnidirectional microphone
- Pin type for connector connection or direct-in to PCB
- Back electret type designed for high resistance to vibrations
- RFI protected for Dual band
- 10pF, 33pF capacitor inside

■ Appearance

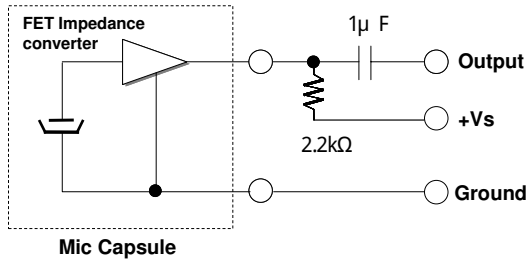


■ Dimensional Drawing

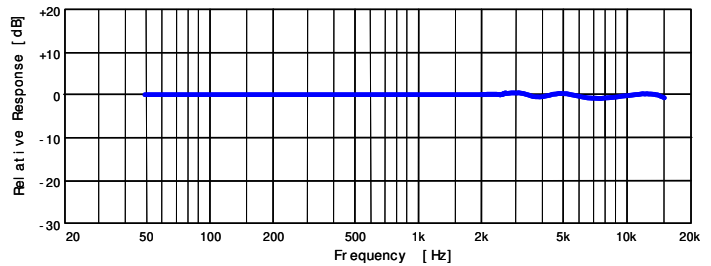
Unit : mm



■ Schematic Diagram



■ Typical Frequency Response Curve



■ Sensitivity

(0dB=1V/Pa, 1kHz)

Sensitivity

-44+/- 3dB

Model No.

WM-64PNT

Vs=2.0V
RL=2.2kΩ

Specifications

Dimensions	6 x 2.2 mm
Impedance	Less than 2.2kΩ
Directivity	Omnidirectional
Frequency	20- 16,000Hz
Max operation voltage	10V
Standard operation voltage	2V
Current consumption	Max 0.5mA
Sensitivity reduction	Wthin - 3dB at 1.5V
S/N ratio	More than 58dB

Specifications are subject to change without notice.