



Chipsmall Limited consists of a professional team with an average of over 10 year of expertise in the distribution of electronic components. Based in Hongkong, we have already established firm and mutual-benefit business relationships with customers from,Europe,America and south Asia,supplying obsolete and hard-to-find components to meet their specific needs.

With the principle of “Quality Parts,Customers Priority,Honest Operation,and Considerate Service”,our business mainly focus on the distribution of electronic components. Line cards we deal with include Microchip,ALPS,ROHM,Xilinx,Pulse,ON,Everlight and Freescale. Main products comprise IC,Modules,Potentiometer,IC Socket,Relay,Connector.Our parts cover such applications as commercial,industrial, and automotives areas.

We are looking forward to setting up business relationship with you and hope to provide you with the best service and solution. Let us make a better world for our industry!



Contact us

Tel: +86-755-8981 8866 Fax: +86-755-8427 6832

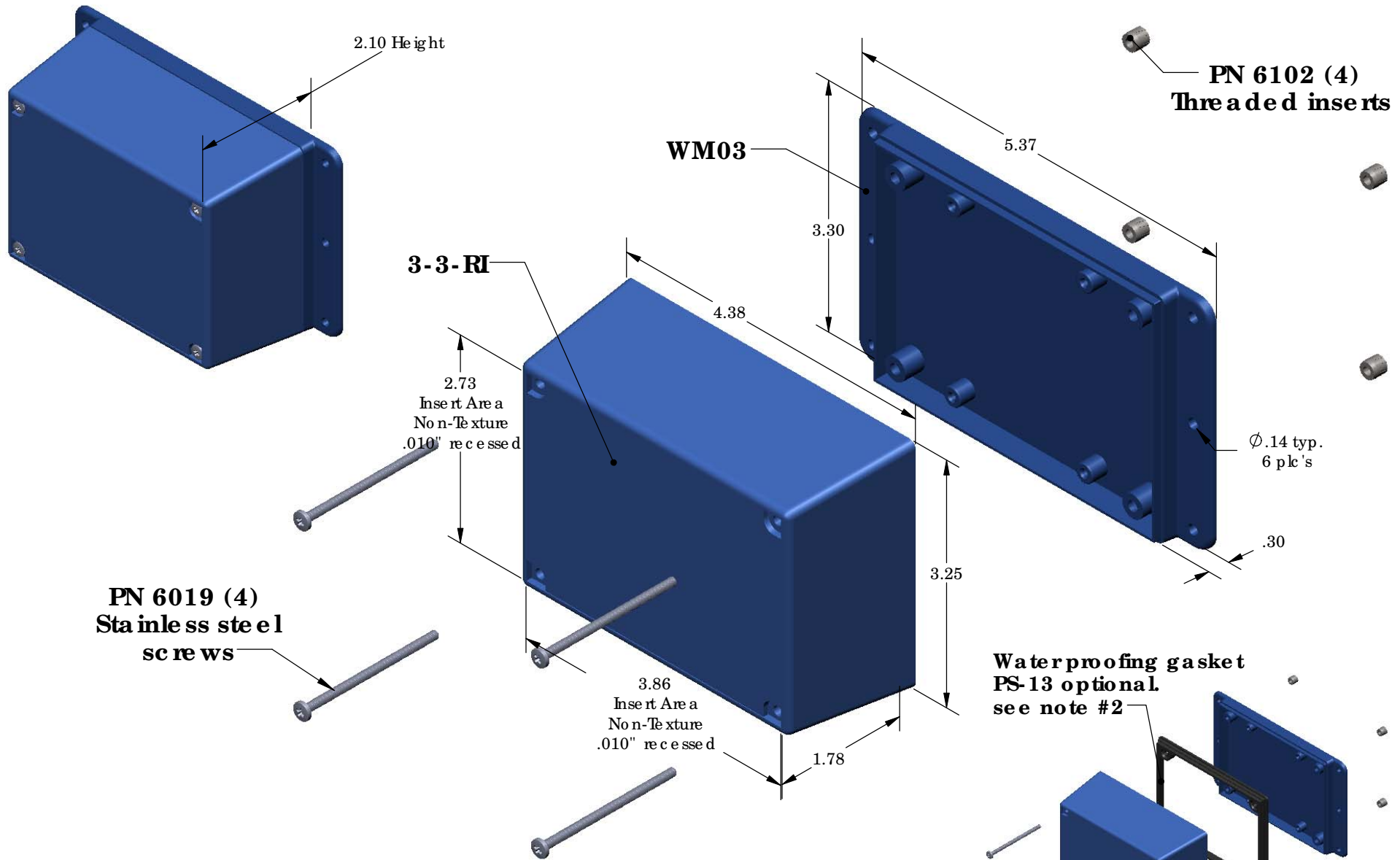
Email & Skype: info@chipsmall.com Web: www.chipsmall.com

Address: A1208, Overseas Decoration Building, #122 Zhenhua RD., Futian, Shenzhen, China



SERPAC WM033-RI (exploded isometric)

Electronic Enclosures



PART NO.	DESCRIPTION (Included)	ACCESSORIES (Optional)	
3-3-RI	TOP	PART NO.	DESCRIPTION
WM03	BOTTOM	50	Non-skid Feet
6019	4-40 SCREW (4)	PS-13	Perimeter Seal
6102	THREADED INSERTS (4)		

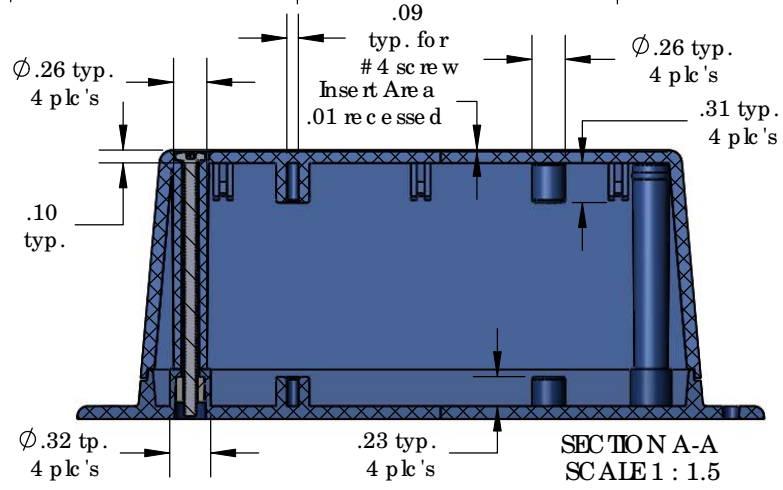
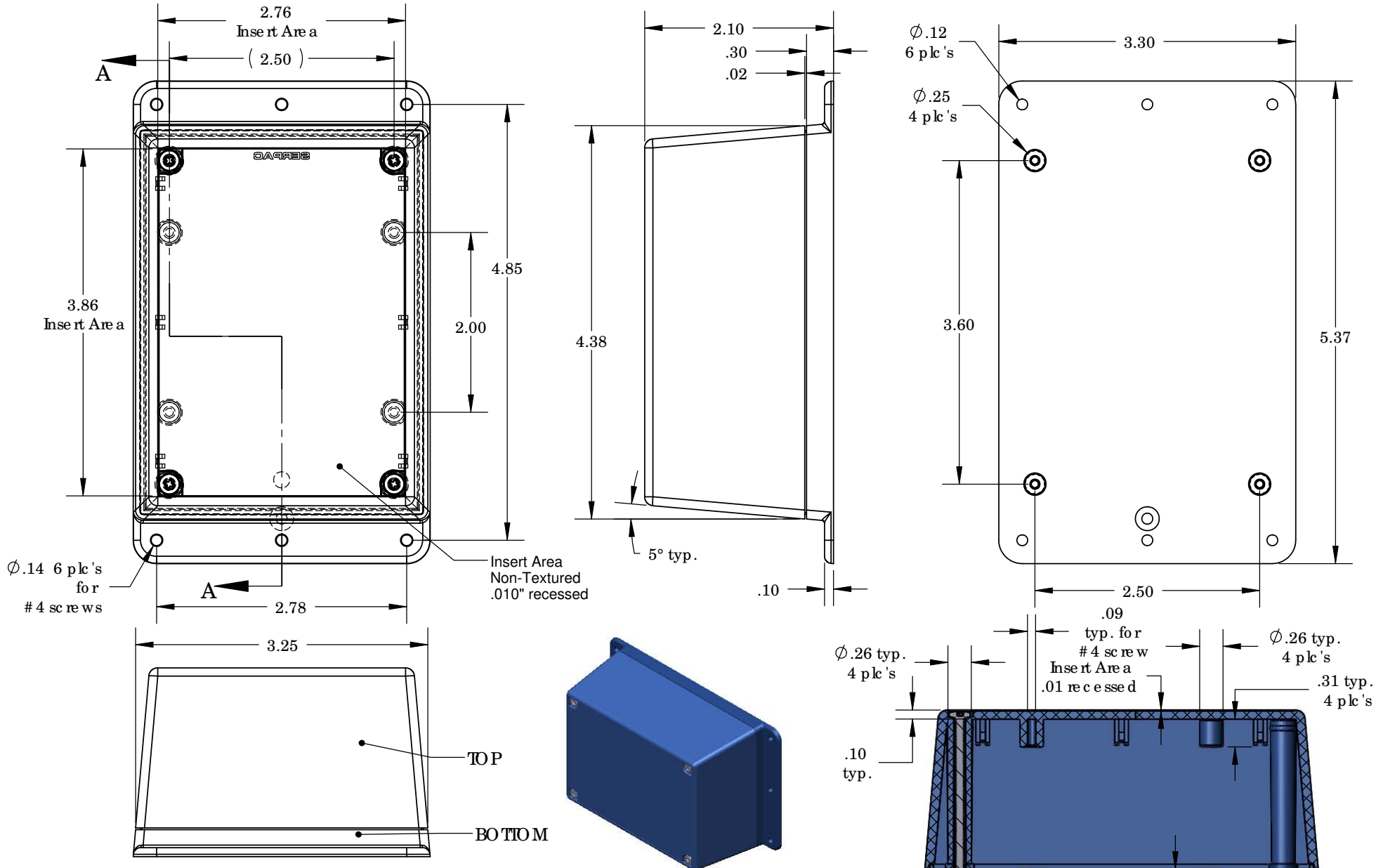
Notes:

- 1) Enclosure meets or exceeds IP40 and NEMA 1
- 2) When used with PS-13 the enclosure meets or exceeds IP 67 and NEMA 4X, 12 and 13 MIL-SID-810G 506.5
- 3) Circuit Board drawings can be downloaded at:
http://www.serpac.com/Products/Series/x33/drawings/X33_top-CB.pdf
- 4) All components are RoHS Compliant.

ALL DIMENSIONS ARE ±.010" 6/01/09 (1 of 2)
619 Commercial Ave. Covina, CA 91723
Ph. (626) 331-0517 Ex. (626) 331-8584 serpac.com

SERPAC WM033-RI (user print)

Electronic Enclosures



PART NO.	DESCRIPTION (Included)	ACCESSORIES (Optional)
3-3-RI	TOP	PART NO. DESCRIPTION
WM03	BOTTOM	50 Non-skid Feet
6019	4-40 SCREW (4)	PS-13 Perimeter Seal
6102	THREADED INSERTS (4)	

Notes:
 1) Enclosure meets or exceeds IP40 and NEMA 1
 2) When used with PS-13 the enclosure meets or exceeds IP 67 and NEMA 4X, 12 and 13 MIL-STD-810G 506.5
 3) Circuit Board drawings can be downloaded at:
http://www.serpac.com/Products/Series/x3x/drawings/X33_top-CB.pdf
 4) All components are RoHS Compliant.

SECTION A-A
 SCALE 1 : 1.5
ALL DIMENSIONS ARE ± .010" 6/01/09 (2 of 2)
619 Commercial Ave. Covina, CA 91723
 Ph. (626) 331-0517 Ex. (626) 331-8584 www.serpac.com