



Chipsmall Limited consists of a professional team with an average of over 10 year of expertise in the distribution of electronic components. Based in Hongkong, we have already established firm and mutual-benefit business relationships with customers from,Europe,America and south Asia,supplying obsolete and hard-to-find components to meet their specific needs.

With the principle of “Quality Parts,Customers Priority,Honest Operation,and Considerate Service”,our business mainly focus on the distribution of electronic components. Line cards we deal with include Microchip,ALPS,ROHM,Xilinx,Pulse,ON,Everlight and Freescale. Main products comprise IC,Modules,Potentiometer,IC Socket,Relay,Connector.Our parts cover such applications as commercial,industrial, and automotives areas.

We are looking forward to setting up business relationship with you and hope to provide you with the best service and solution. Let us make a better world for our industry!



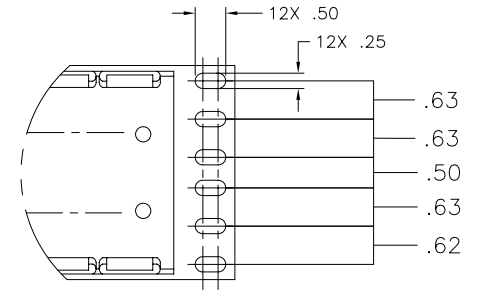
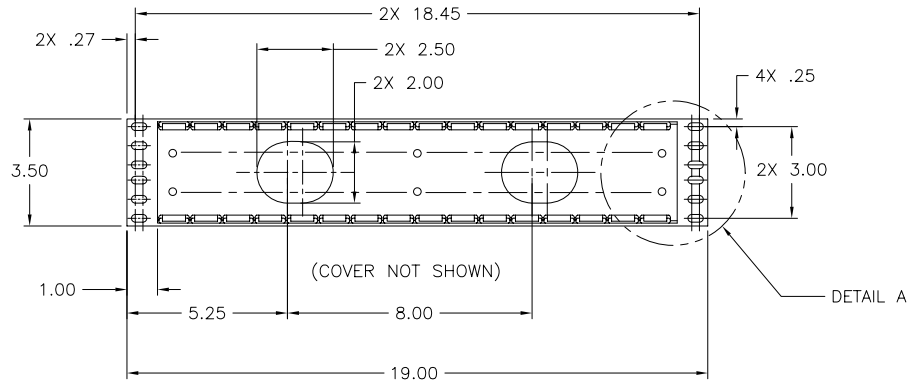
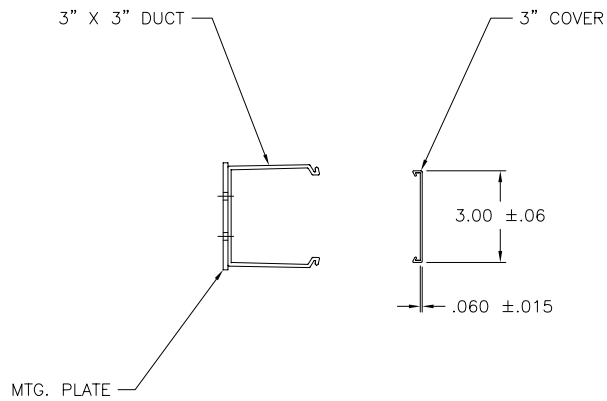
## Contact us

Tel: +86-755-8981 8866 Fax: +86-755-8427 6832

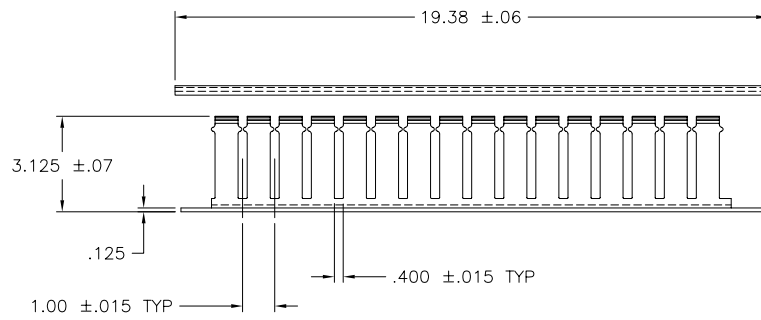
Email & Skype: info@chipsmall.com Web: www.chipsmall.com

Address: A1208, Overseas Decoration Building, #122 Zhenhua RD., Futian, Shenzhen, China





DETAIL A  
2X



REDUCED  
NO SCALE



**HellermannTyton**

ALL PROPRIETARY RIGHTS IN THE SUBJECT MATTER SHOWN ON THIS DRAWING ARE EXCLUSIVE PROPERTY OF HELLERMANNTYTON

name	date	city, state

**NOTES**

1) HARDWARE FURNISHED  
4X #12-24 X 3/4 LG ZINC-PLATED PHILLIPS RND HD MSCR

<b>REVISIONS</b>	level	04
	date	09/14/05
	by	AAC
	ECN #	010239
	part level	-
<b>DIMENSIONS</b>	.XXXX = ±.0005	
	.XXX = ±.005	
	.XX = ±.01	
	.X = ±.03	
	∠ = ±2°	
unless otherwise specified		
units inches		

<b>PART</b>	number	WMB1	phase	PRODUCTION
	name	2 UNIT SINGLE SIDED 3 X 3 HORIZONTAL WIRE MANAGEMENT BRACKET		
	material	PVC DUCT & COVER ALUMINUM MTG. BRACKET COLOR: BLACK		

<b>DRAWING</b>	FORUM C version	J	CAD	ACAD	scale	3X
	computer file number	DT\CST\2012001_04		previous number		
	drawn	E MERILLI	checked	KEN C.	approved	
	date	9/25/96	date	09/16/05		
	type	CUSTOMER	sheet	1 of 1		
number	DT2012001CST					