



Chipsmall Limited consists of a professional team with an average of over 10 year of expertise in the distribution of electronic components. Based in Hongkong, we have already established firm and mutual-benefit business relationships with customers from,Europe,America and south Asia,supplying obsolete and hard-to-find components to meet their specific needs.

With the principle of “Quality Parts,Customers Priority,Honest Operation,and Considerate Service”,our business mainly focus on the distribution of electronic components. Line cards we deal with include Microchip,ALPS,ROHM,Xilinx,Pulse,ON,Everlight and Freescale. Main products comprise IC,Modules,Potentiometer,IC Socket,Relay,Connector.Our parts cover such applications as commercial,industrial, and automotives areas.

We are looking forward to setting up business relationship with you and hope to provide you with the best service and solution. Let us make a better world for our industry!



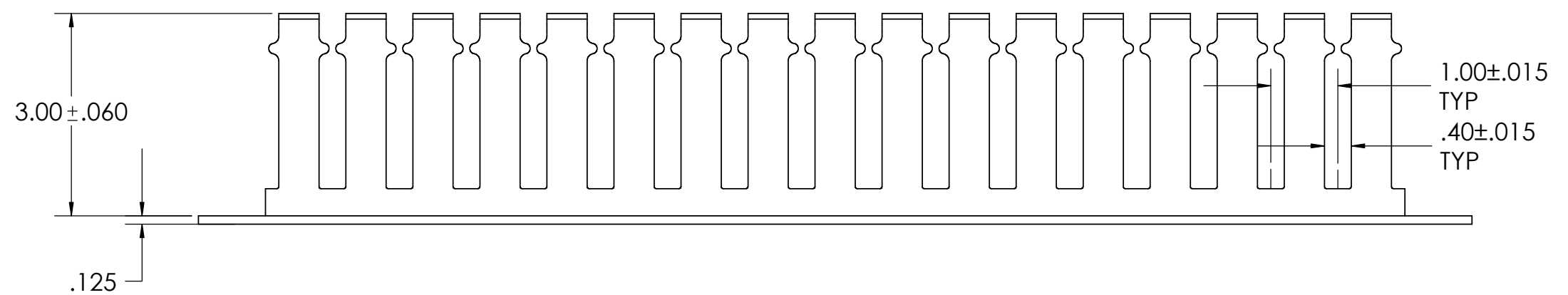
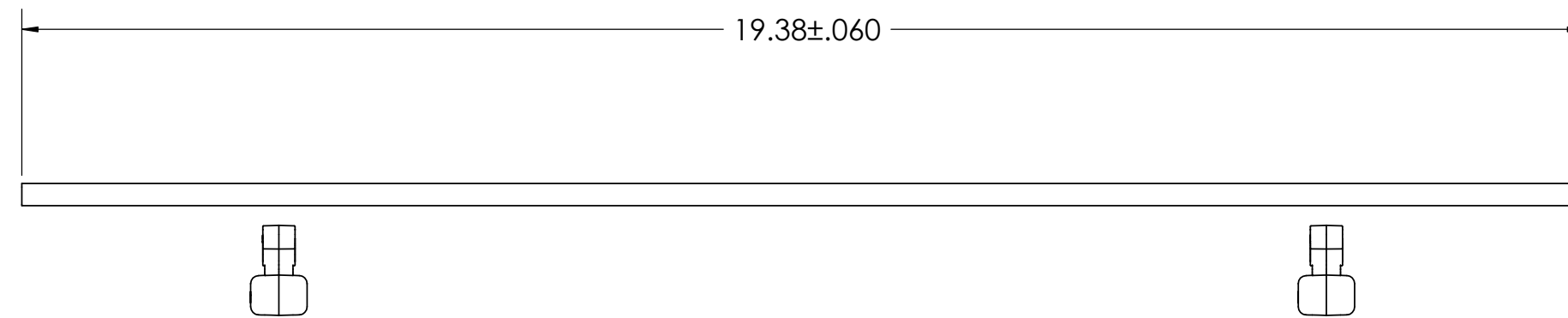
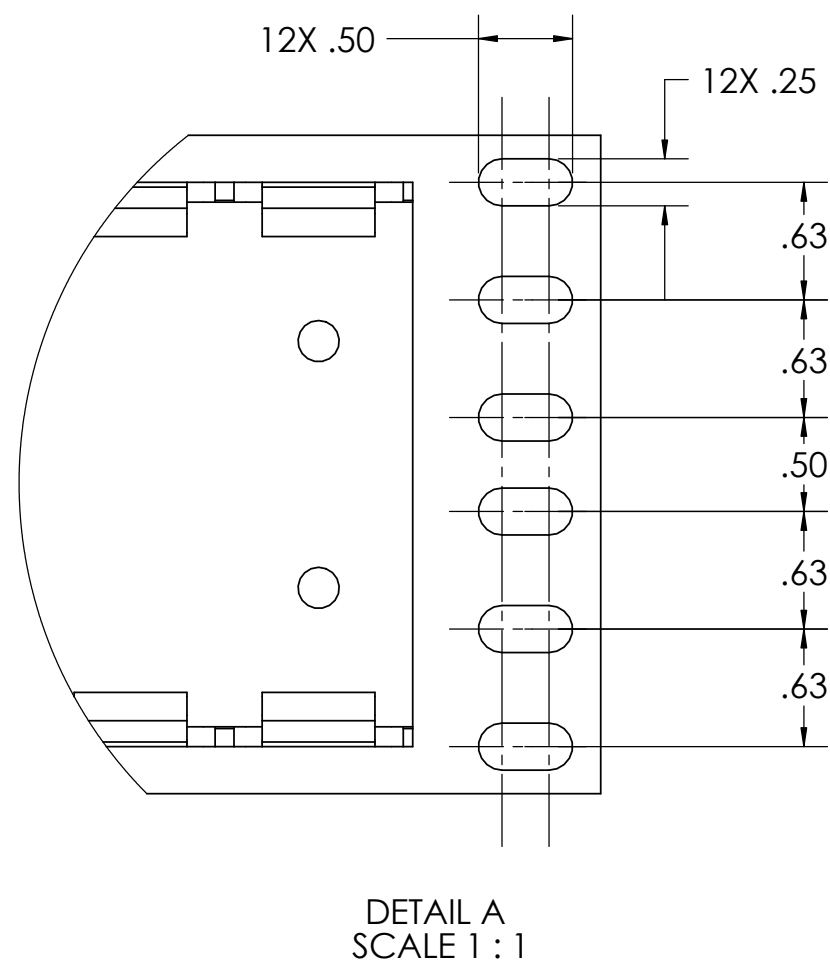
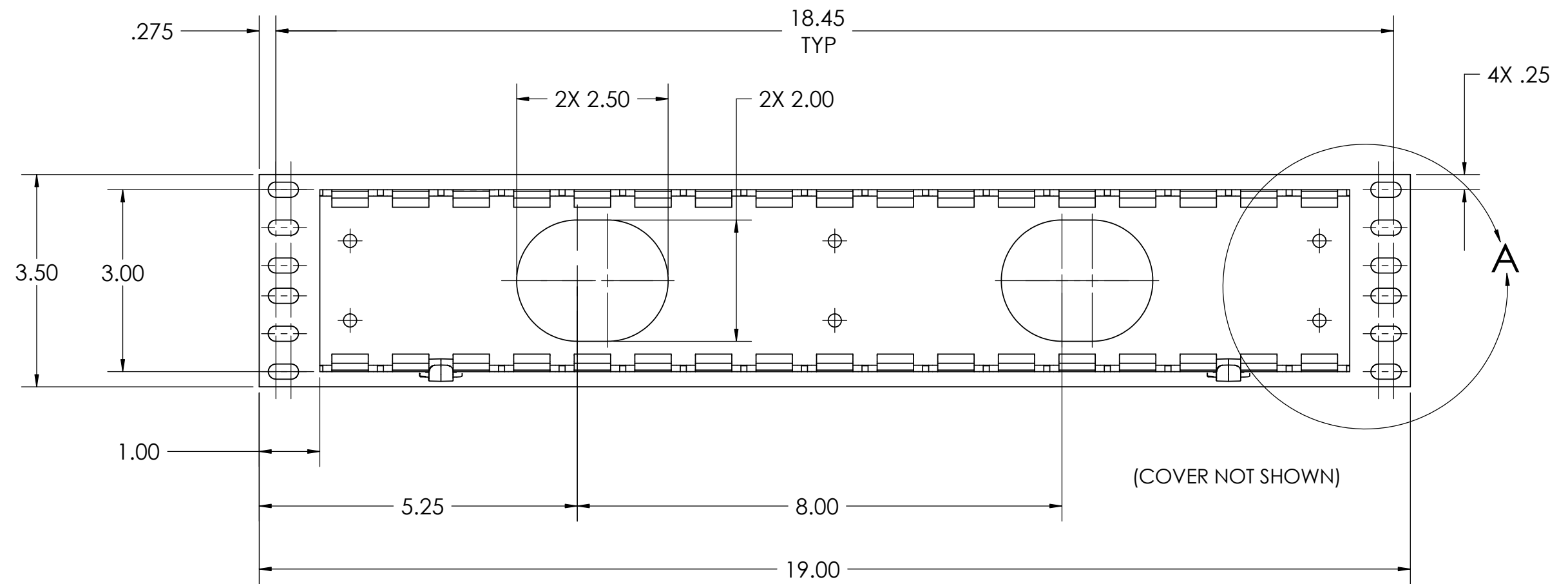
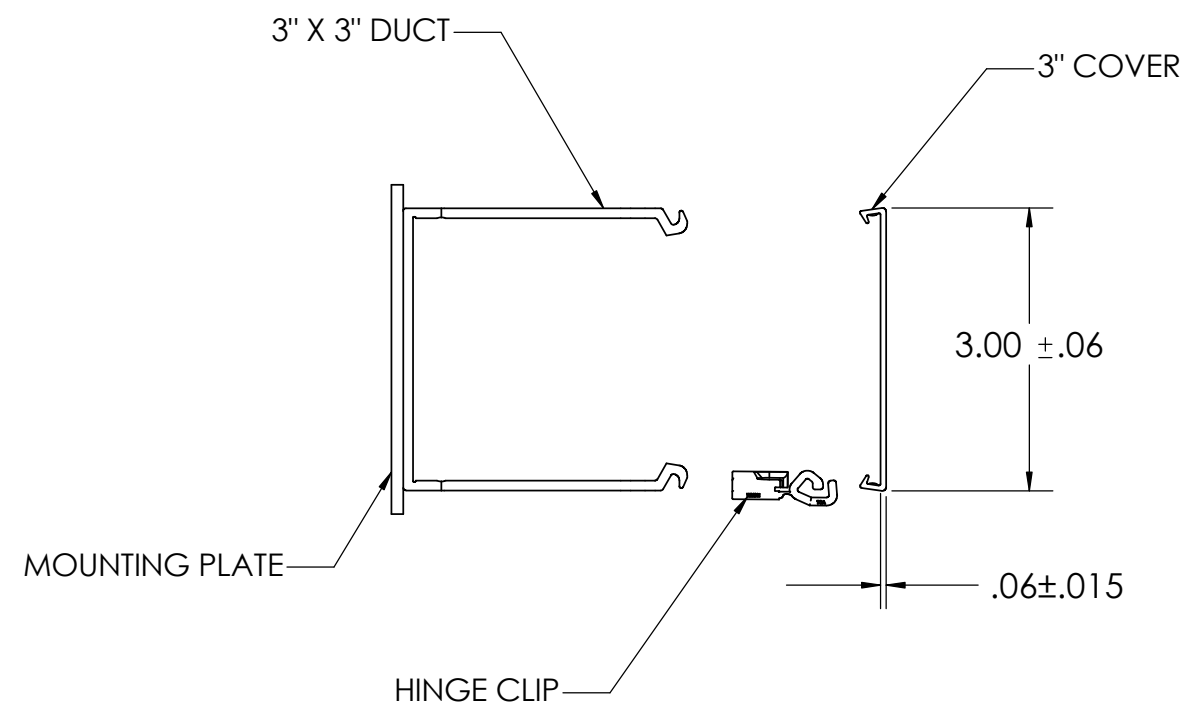
## Contact us

Tel: +86-755-8981 8866 Fax: +86-755-8427 6832

Email & Skype: info@chipsmall.com Web: www.chipsmall.com

Address: A1208, Overseas Decoration Building, #122 Zhenhua RD., Futian, Shenzhen, China





03

INVENTORS	<b>HellermannTyton</b>		
	A SPIRENT Company		
	ALL PROPRIETARY RIGHTS IN THE SUBJECT MATTER SHOWN ON THIS DRAWING ARE EXCLUSIVE PROPERTY OF HELLERMANN TYTON		
	name	date	city, state

NOTES

1) HARDWARE FURNISHED IN FINAL PACKAGING  
 4X #12-24 X 3/4" LG ZINC-PLATED PHILLIPS RND HD MSCR

REVISION	level	03
	by	AAC
	date	09/14/2005
	ECN #	010239
	part level	-

DIMENSIONS	.XXXX = ±.0005
	.XXX = ±.005
	.XX = ±.01
	.X = ±.03
	∠ = ±0.5° unless otherwise specified
units	inches

PART	number	WMB1H	phase	Production
	name	SINGLE SIDED HORIZONTAL 3"X3" WIRE MANAGEMENT BRACKET WITH HINGE CLIP		
	material	PVC DUCT & COVER ALUMINUM MTG. BRACKET COLOR: BLACK		

DRAWING	formal version N	C	SW 2005	scale	1:2
	computer file name	DT2012017CST_03			
	drawn	MEF	checked	Ken C.	approved
	date	07/26/2002	checked	09/16/2005	approved
	type	Customer	sheet 1 of 1		
number	DT2012017CST				