



Chipsmall Limited consists of a professional team with an average of over 10 year of expertise in the distribution of electronic components. Based in Hongkong, we have already established firm and mutual-benefit business relationships with customers from,Europe,America and south Asia,supplying obsolete and hard-to-find components to meet their specific needs.

With the principle of “Quality Parts,Customers Priority,Honest Operation,and Considerate Service”,our business mainly focus on the distribution of electronic components. Line cards we deal with include Microchip,ALPS,ROHM,Xilinx,Pulse,ON,Everlight and Freescale. Main products comprise IC,Modules,Potentiometer,IC Socket,Relay,Connector.Our parts cover such applications as commercial,industrial, and automotives areas.

We are looking forward to setting up business relationship with you and hope to provide you with the best service and solution. Let us make a better world for our industry!



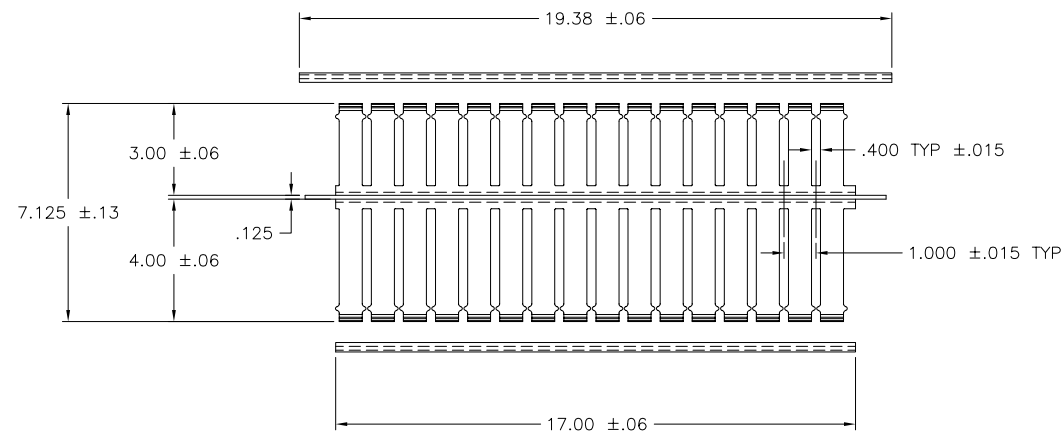
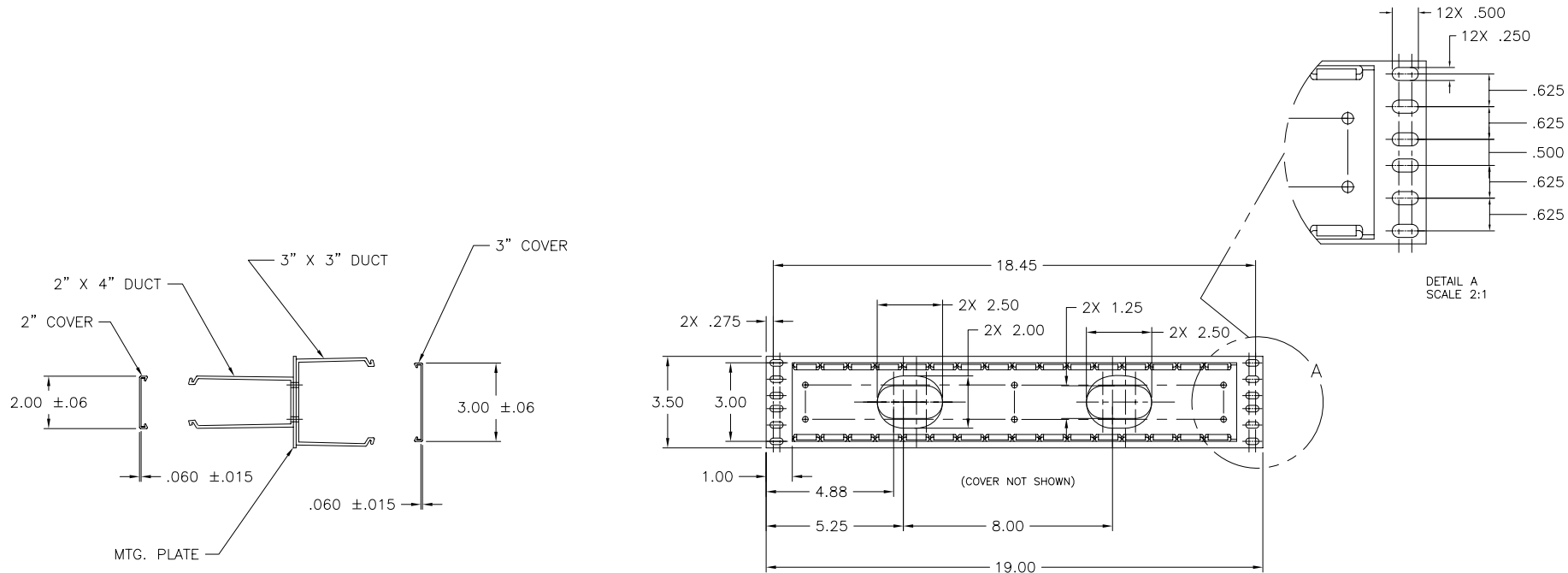
Contact us

Tel: +86-755-8981 8866 Fax: +86-755-8427 6832

Email & Skype: info@chipsmall.com Web: www.chipsmall.com

Address: A1208, Overseas Decoration Building, #122 Zhenhua RD., Futian, Shenzhen, China





REDUCED
NO SCALE

HellermannTyton
ALL PROPRIETARY RIGHTS IN THE SUBJECT MATTER SHOWN ON THIS DRAWING ARE EXCLUSIVE PROPERTY OF TYTONHELLERMANN

name	date	city, state

NOTES
1) HARDWARE FURNISHED
4X #12-24 X 3/4 LG ZINC-PLATED PHILLIPS RND HD MSCR

REVISIONS
level 04
date 09/14/05
by AAC
ECN # 010239
part level D

DIMENSIONS
.XXX=±.0005
.XX=±.01
.X=±.03
∠=± 2°
unless otherwise specified
units inches

PART
number WMB2 phase PRODUCTION
name 2 UNIT DOUBLE SIDED
3 X 3 & 2 X 4 HORIZONTAL
WIRE MANAGEMENT BRACKET
material PVC DUCT & COVER
ALUMINUM MTG. BRACKET
COLOR: BLACK

FORMAT	C version	CAD	ACAD	scale	3X
computer file number	DT\CST\2012002_04			previous number	
drawn	E MERILLI		KAC	approved	
date	9/5/06		09/16/05		
type	CUSTOMER			sheet	1 of 1
number	DT2012002CST				