



Chipsmall Limited consists of a professional team with an average of over 10 year of expertise in the distribution of electronic components. Based in Hongkong, we have already established firm and mutual-benefit business relationships with customers from,Europe,America and south Asia,supplying obsolete and hard-to-find components to meet their specific needs.

With the principle of "Quality Parts,Customers Priority,Honest Operation,and Considerate Service",our business mainly focus on the distribution of electronic components. Line cards we deal with include Microchip,ALPS,ROHM,Xilinx,Pulse,ON,Everlight and Freescale. Main products comprise IC,Modules,Potentiometer,IC Socket,Relay,Connector.Our parts cover such applications as commercial,industrial, and automotives areas.

We are looking forward to setting up business relationship with you and hope to provide you with the best service and solution. Let us make a better world for our industry!



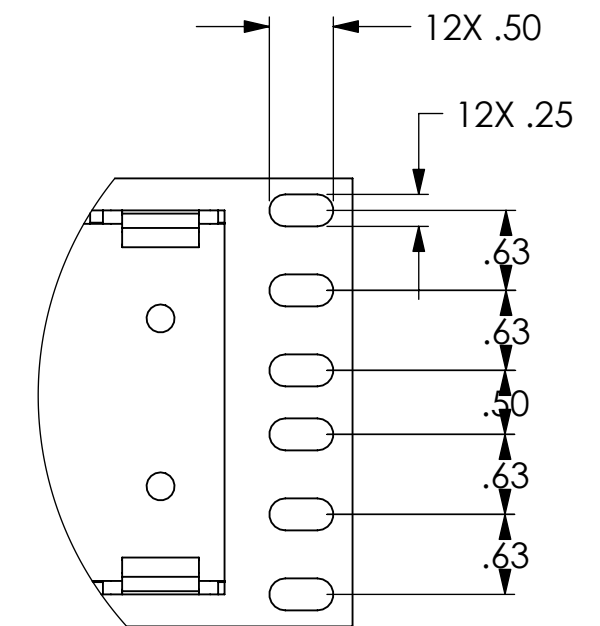
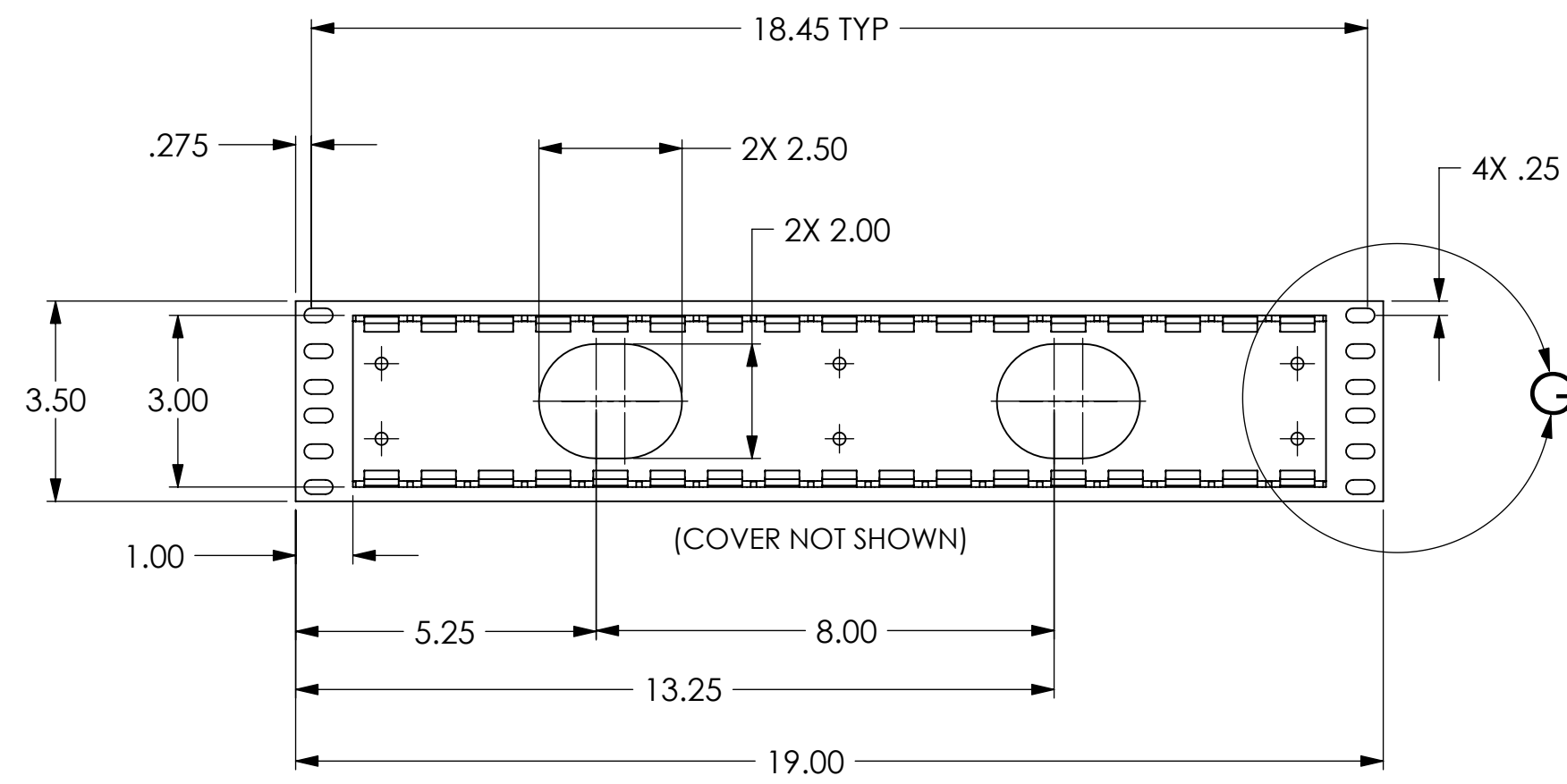
Contact us

Tel: +86-755-8981 8866 Fax: +86-755-8427 6832

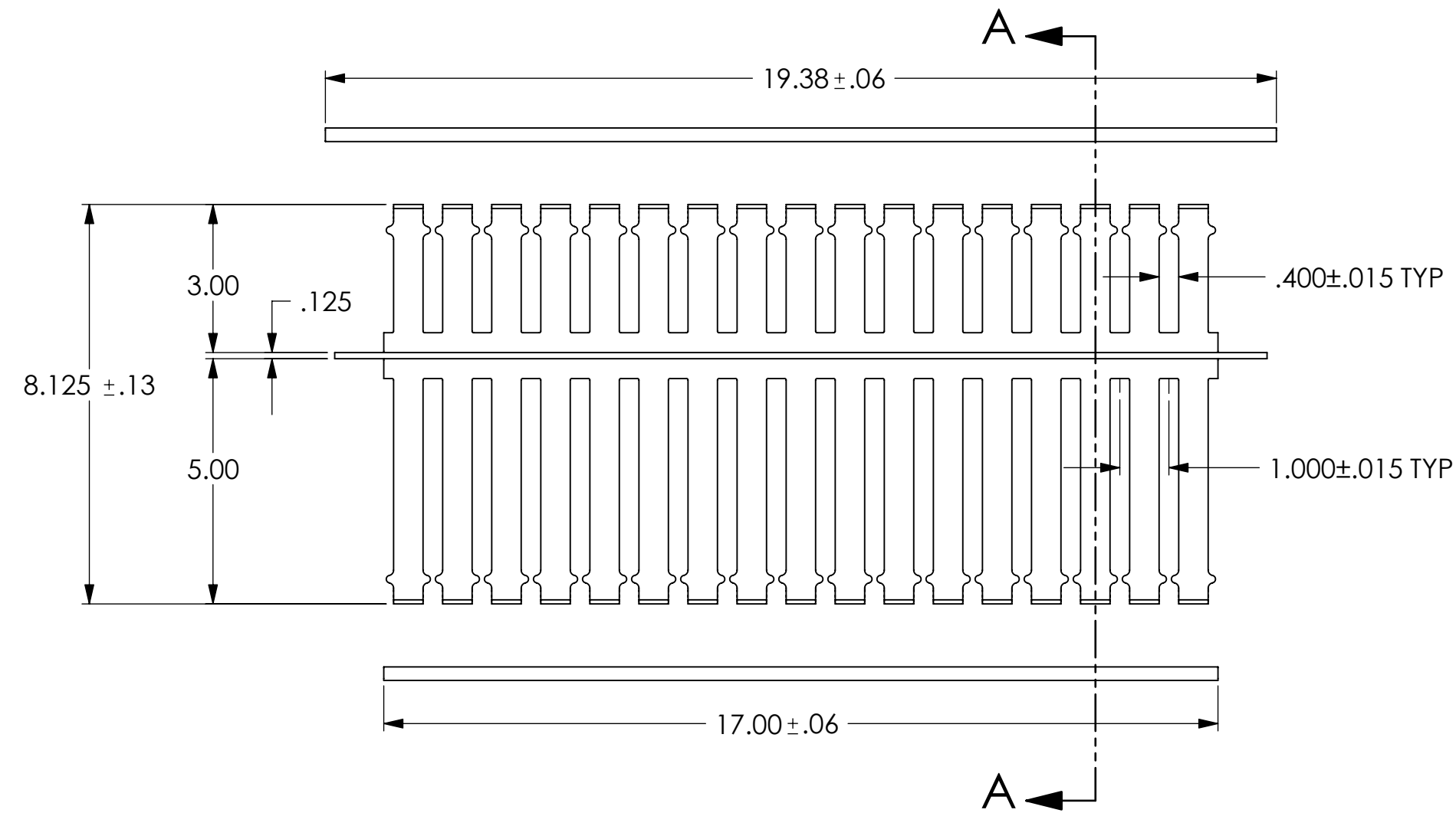
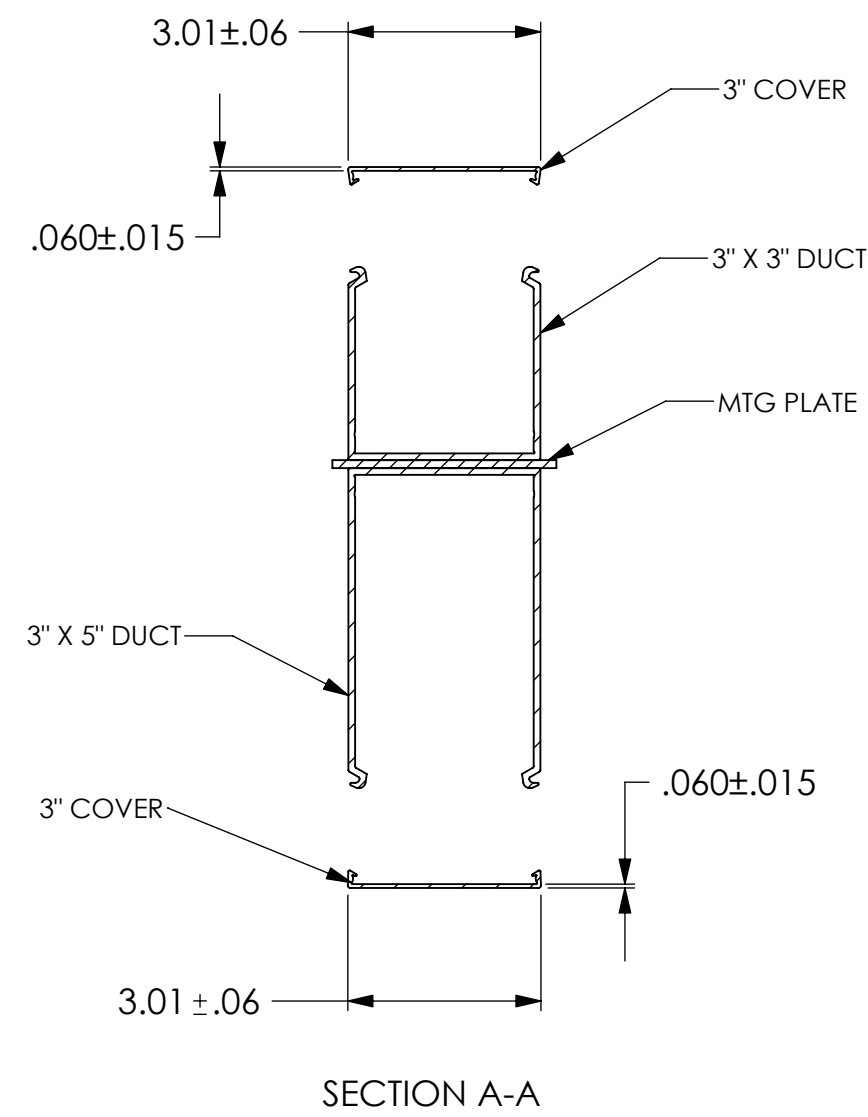
Email & Skype: info@chipsmall.com Web: www.chipsmall.com

Address: A1208, Overseas Decoration Building, #122 Zhenhua RD., Futian, Shenzhen, China





DETAIL G
SCALE 2 : 3



03

HellermannTyton®
 ALL PROPRIETARY RIGHTS IN THE SUBJECT MATTER SHOWN ON THIS DRAWING ARE EXCLUSIVE PROPERTY OF HELLERMANNTYTON

name	date	city, state

NOTES

REVISION	level	03
DRAWN	by	AAC
DATE	date	09/13/2005
ECN #	ECN #	010239
part level	part level	-

TOLERANCES
 DIMENSIONS
 UNITS

.XXXX = ±.0005
 .XXX = ±.005
 .XX = ±.01
 .X = ±.03
 < = ±0.5°
 unless otherwise specified

units inches

PART

number	WMB2B	phase	Production
name 2 UNIT DOUBLE SIDED 3 X 3 & 3 X 5 HORIZONTAL WIRE MANAGEMENT BRACKET			
material PVC DUCT & COVER ALUMINUM MTG BRACKET COLOR: BLACK			

DRAWING

format	C	CAD	SW 2007	scale	1:3
computer file name	DT2012019CST_03	previous drawing number			
drawn	AAC	checked	KAC	approved	
date	02/21/2002	checked	09/16/2005	approved	
type	Customer	sheet	1 of 1		
number	DT2012019CST				