



Chipsmall Limited consists of a professional team with an average of over 10 year of expertise in the distribution of electronic components. Based in Hongkong, we have already established firm and mutual-benefit business relationships with customers from,Europe,America and south Asia,supplying obsolete and hard-to-find components to meet their specific needs.

With the principle of “Quality Parts,Customers Priority,Honest Operation,and Considerate Service”,our business mainly focus on the distribution of electronic components. Line cards we deal with include Microchip,ALPS,ROHM,Xilinx,Pulse,ON,Everlight and Freescale. Main products comprise IC,Modules,Potentiometer,IC Socket,Relay,Connector.Our parts cover such applications as commercial,industrial, and automotives areas.

We are looking forward to setting up business relationship with you and hope to provide you with the best service and solution. Let us make a better world for our industry!



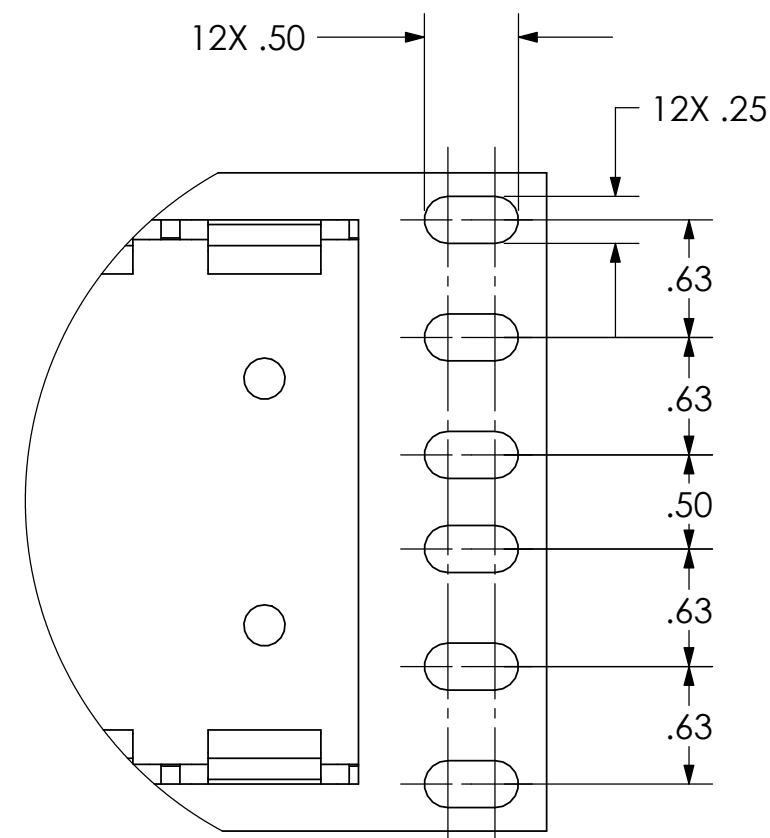
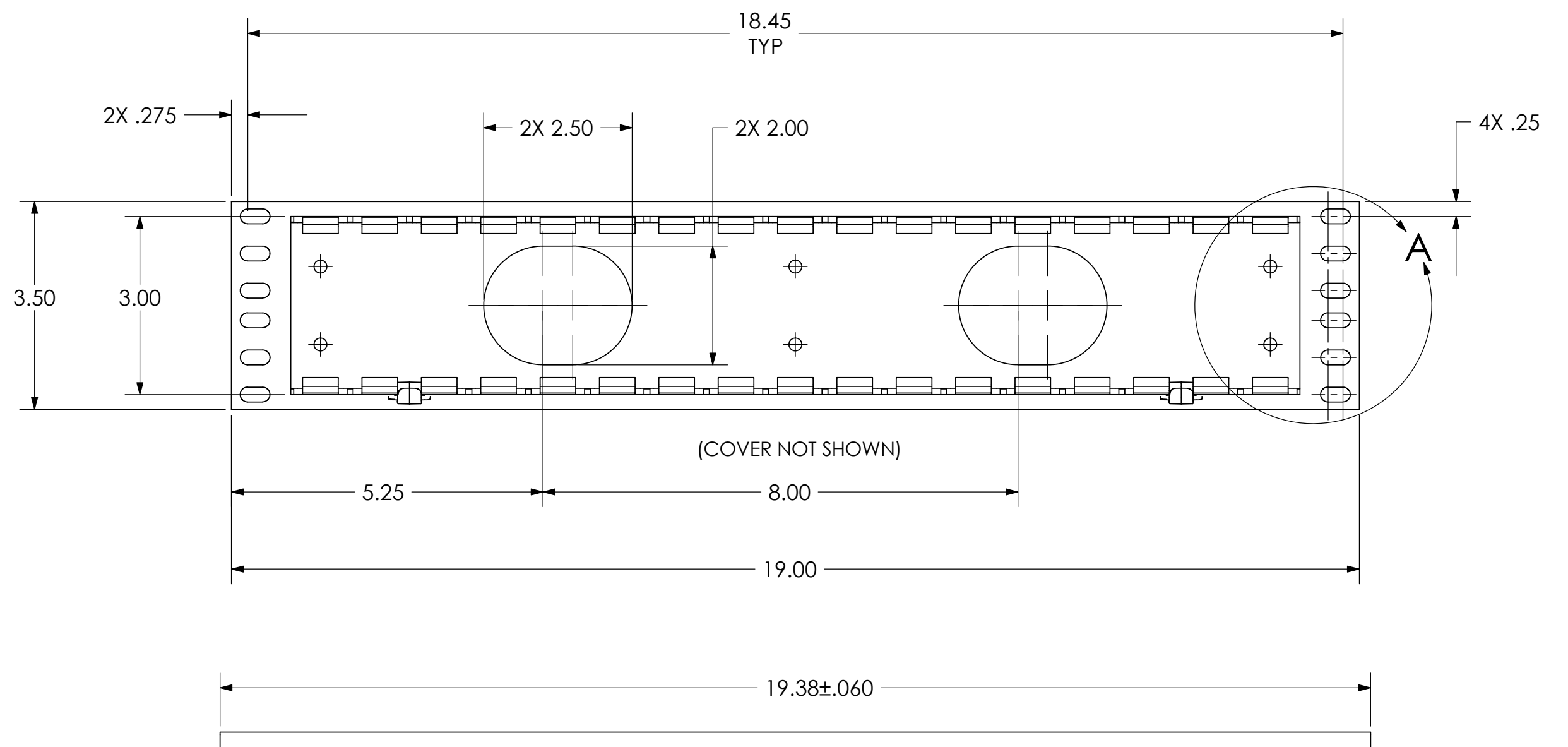
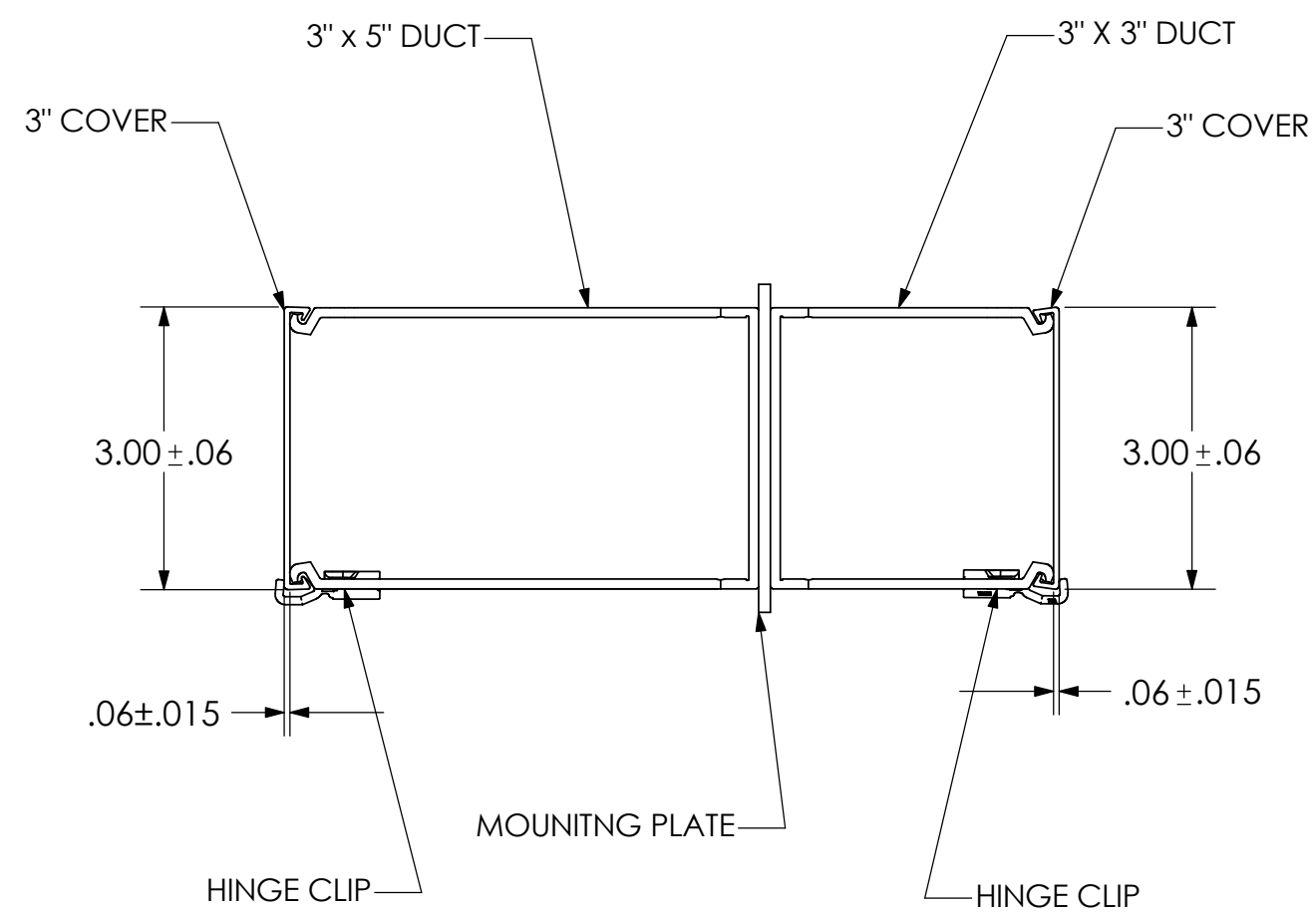
Contact us

Tel: +86-755-8981 8866 Fax: +86-755-8427 6832

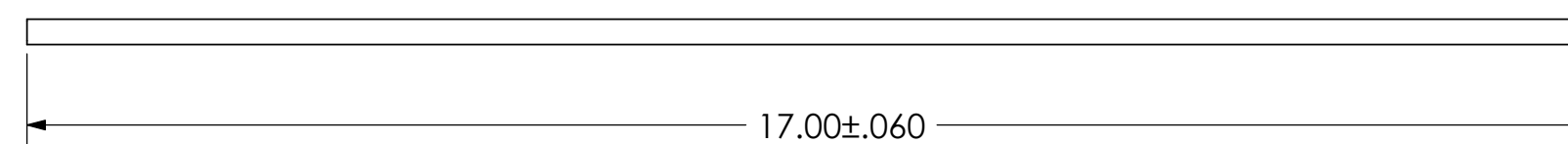
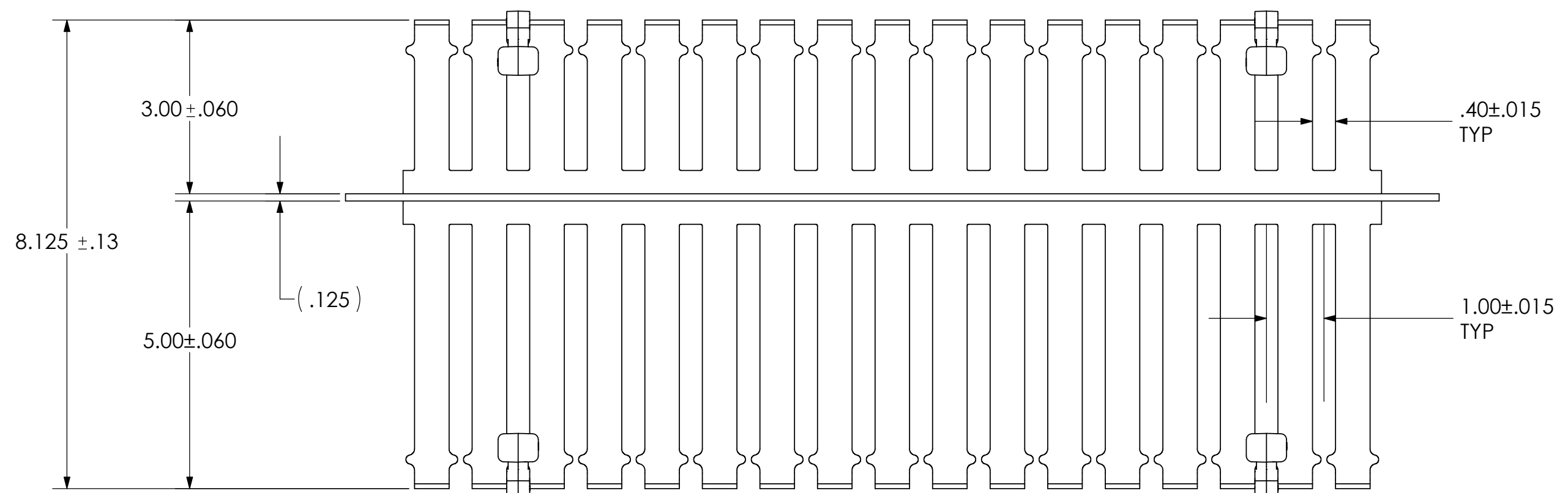
Email & Skype: info@chipsmall.com Web: www.chipsmall.com

Address: A1208, Overseas Decoration Building, #122 Zhenhua RD., Futian, Shenzhen, China





DETAIL A
SCALE 1 : 1



03

HellermannTyton

A SPIRENT Company
ALL PROPRIETARY RIGHTS IN THE SUBJECT MATTER SHOWN ON THIS DRAWING ARE EXCLUSIVE PROPERTY OF HELLERMANN TYTON

NOTES

- HARDWARE FURNISHED IN FINAL PACKAGING
4X #12-24 X 3/4" LG ZINC-PLATED PHILLIPS RND HD MSCR

REVISION

level	03
by	AAC
date	09/13/2005
ECN #	010239
part level	-

TOLERANCES

.XXXX	= ±.0005
.XXX	= ±.005
.XX	= ±.01
.X	= ±.03
∠	= ±0.5°
unless otherwise specified	
units	inches

PART

number	WMB2BH	phase	Production
name 2 UNIT DOUBLE SIDED 3X3 & 3X5 HORIZONTAL WMB WITH COVER HINGE CLIP			
material PVC DUCT & COVER ALUMINUM MOUNTING BRACKET COLOR: BLACK			

DRAWING

formal version N	C	SW 2005	scale	1:2
computer file name	DT2012018CST_03	previous drawing number		
drawn	MEF	checked	KAC	approved
date	03/09/2004	date	09/16/2005	
type	Customer	sheet	1 of 1	
number	DT2012018CST			