



Chipsmall Limited consists of a professional team with an average of over 10 year of expertise in the distribution of electronic components. Based in Hongkong, we have already established firm and mutual-benefit business relationships with customers from,Europe,America and south Asia,supplying obsolete and hard-to-find components to meet their specific needs.

With the principle of “Quality Parts,Customers Priority,Honest Operation,and Considerate Service”,our business mainly focus on the distribution of electronic components. Line cards we deal with include Microchip,ALPS,ROHM,Xilinx,Pulse,ON,Everlight and Freescale. Main products comprise IC,Modules,Potentiometer,IC Socket,Relay,Connector.Our parts cover such applications as commercial,industrial, and automotives areas.

We are looking forward to setting up business relationship with you and hope to provide you with the best service and solution. Let us make a better world for our industry!



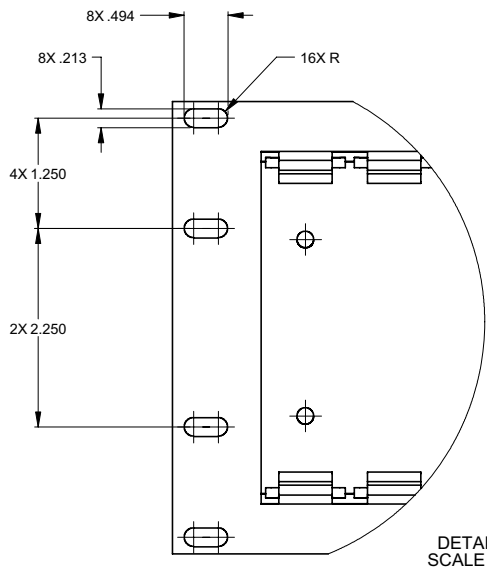
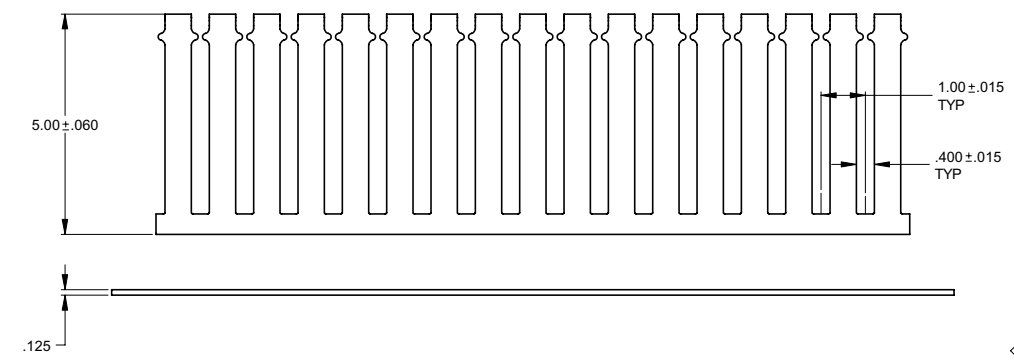
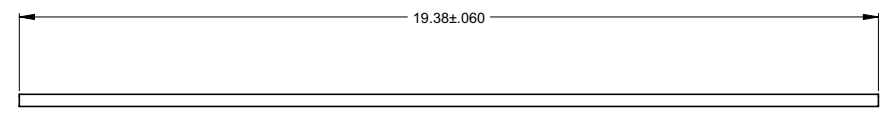
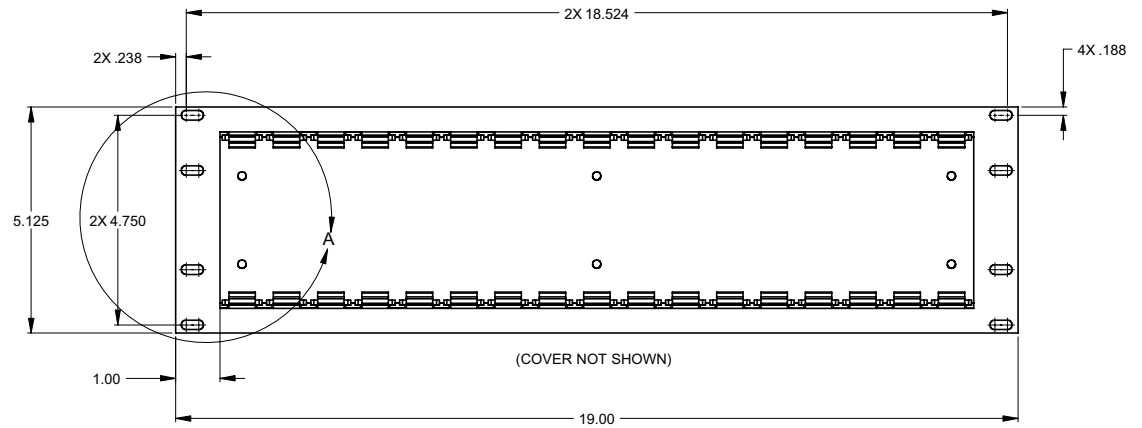
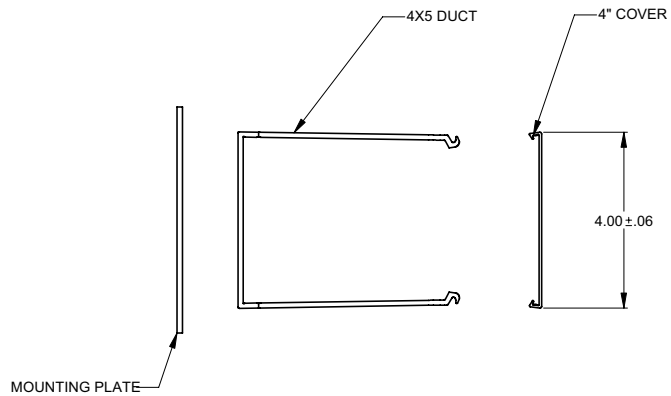
## Contact us

Tel: +86-755-8981 8866 Fax: +86-755-8427 6832

Email & Skype: info@chipsmall.com Web: www.chipsmall.com

Address: A1208, Overseas Decoration Building, #122 Zhenhua RD., Futian, Shenzhen, China





REDUCED  
NO SCALE

<b>HellermannTyton</b>		
ALL PROPRIETARY RIGHTS IN THIS SUBJECT MATTER SHOWN ON THIS DRAWING ARE EXCLUSIVE PROPERTY OF HELLERMANNTYTON		
name	date	city, state

NOTES

- HARDWARE FURNISHED IN FINAL PACKAGING  
8X #12-24 X 3/4 LG ZINC-PLATED PHILLIPS RND HD MSCR

REVISION	D level	01
	A by	AAC
	I date	09/13/02
	G ECN #	003376
	part level	A

DIMENSIONS	XXXX = ±.0005
	XXX = ±.005
	.XX = ±.01
	.X = ±.03
	< = ±0.5
unless otherwise specified	
units	inches

PART	number	WMB31	phase	PRODUCTION
	name 3 UNIT SINGLE SIDED 4X5 HORIZONTAL WIRE MANAGEMENT BRACKET			
	material PVC DUCT & COVER ALUMINUM MOUNTING PLATE COLOR: BLACK			

DRAWING	format	C	CAD	SW	scale	1:2
	version N					
	customer file number	DT2012032CST_01				
	previous number					
	drawn	AAC				
date	09/13/02					
checked						
approved						
type	CUSTOMER				sheet 1 of 1	
number	DT2012032CST					