



Chipsmall Limited consists of a professional team with an average of over 10 year of expertise in the distribution of electronic components. Based in Hongkong, we have already established firm and mutual-benefit business relationships with customers from,Europe,America and south Asia,supplying obsolete and hard-to-find components to meet their specific needs.

With the principle of “Quality Parts,Customers Priority,Honest Operation,and Considerate Service”,our business mainly focus on the distribution of electronic components. Line cards we deal with include Microchip,ALPS,ROHM,Xilinx,Pulse,ON,Everlight and Freescale. Main products comprise IC,Modules,Potentiometer,IC Socket,Relay,Connector.Our parts cover such applications as commercial,industrial, and automotives areas.

We are looking forward to setting up business relationship with you and hope to provide you with the best service and solution. Let us make a better world for our industry!



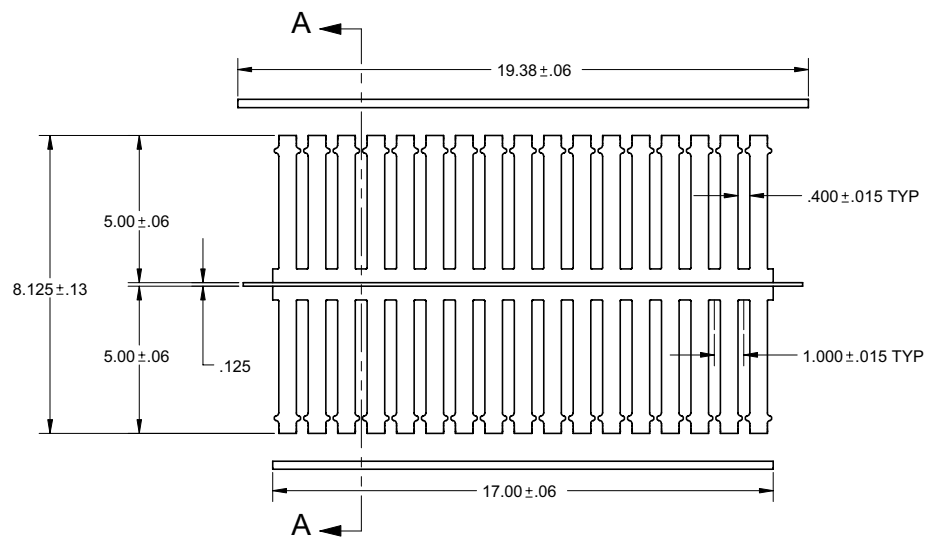
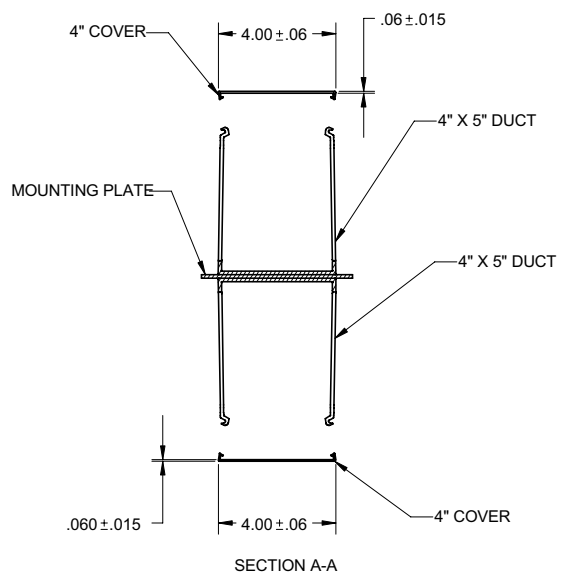
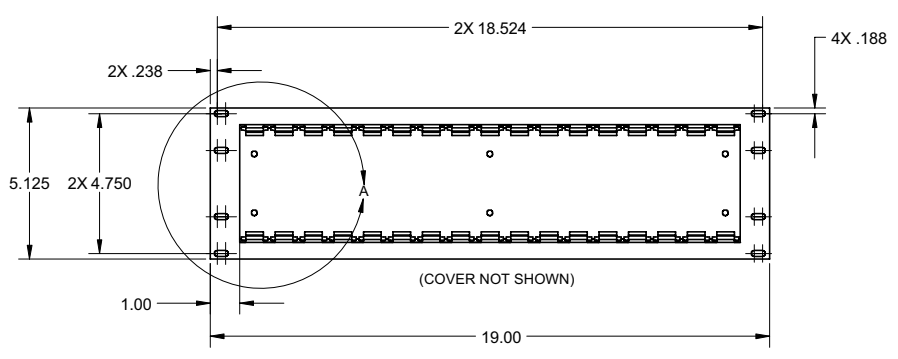
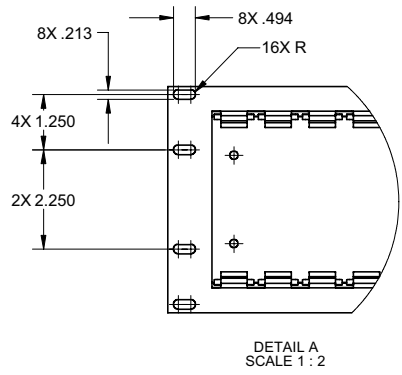
Contact us

Tel: +86-755-8981 8866 Fax: +86-755-8427 6832

Email & Skype: info@chipsmall.com Web: www.chipsmall.com

Address: A1208, Overseas Decoration Building, #122 Zhenhua RD., Futian, Shenzhen, China





REDUCED
NO SCALE

HellermannTyton
 ALL PROPRIETARY RIGHTS IN THIS SUBJECT MATTER SHOWN ON THIS DRAWING ARE EXCLUSIVE PROPERTY OF HELLERMANN TYTON

name	date	city, state

NOTES

1) HARDWARE FURNISHED IN FINAL PACKAGING
 8X #12-24 X 3/4 LG ZINC-PLATED PHILLIPS RND HD MSCR

REVISION

level	01
by	AAC
date	09/13/02
ECN #	003376
part level	A

DIMENSIONS

XXXX = ±.0005
 .XXX = ±.005
 .XX = ±.01
 .X = ±.03
 < = ±0.5 *
 unless otherwise specified
 units inches

PART

number	WMB32	phase	PRODUCTION
name	3 UNIT DOUBLE SIDED 4 X 5 HORIZONTAL WIRE MANAGEMENT BRACKET		
material	PVC DUCT & COVER ALUMINUM MOUNTING PLATE COLOR: BLACK		

DRAWING

format	C	SW	scale	1:3
version N				
control file number	DT2012033CST_01	previous number		
drawn	AAC	checked out		approved
date	09/13/02			
type	CUSTOMER			sheet 1 of 1
number	DT2012033CST			