



Chipsmall Limited consists of a professional team with an average of over 10 year of expertise in the distribution of electronic components. Based in Hongkong, we have already established firm and mutual-benefit business relationships with customers from,Europe,America and south Asia,supplying obsolete and hard-to-find components to meet their specific needs.

With the principle of “Quality Parts,Customers Priority,Honest Operation,and Considerate Service”,our business mainly focus on the distribution of electronic components. Line cards we deal with include Microchip,ALPS,ROHM,Xilinx,Pulse,ON,Everlight and Freescale. Main products comprise IC,Modules,Potentiometer,IC Socket,Relay,Connector.Our parts cover such applications as commercial,industrial, and automotives areas.

We are looking forward to setting up business relationship with you and hope to provide you with the best service and solution. Let us make a better world for our industry!



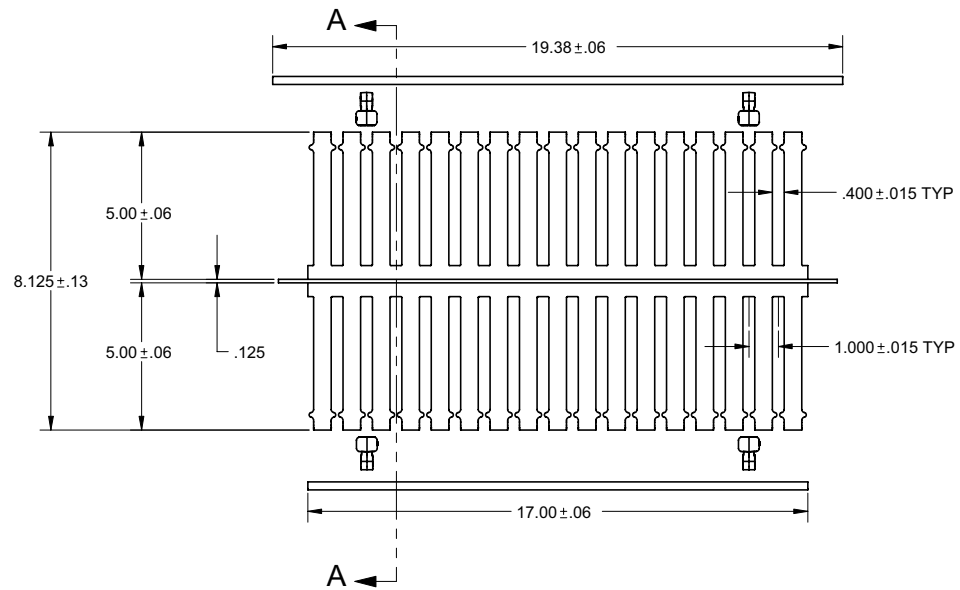
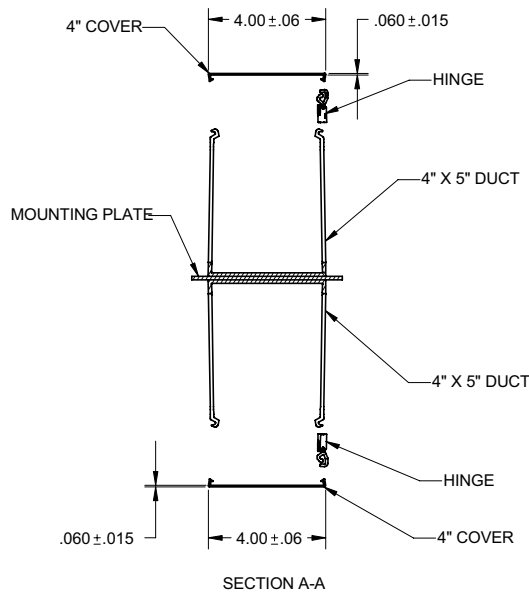
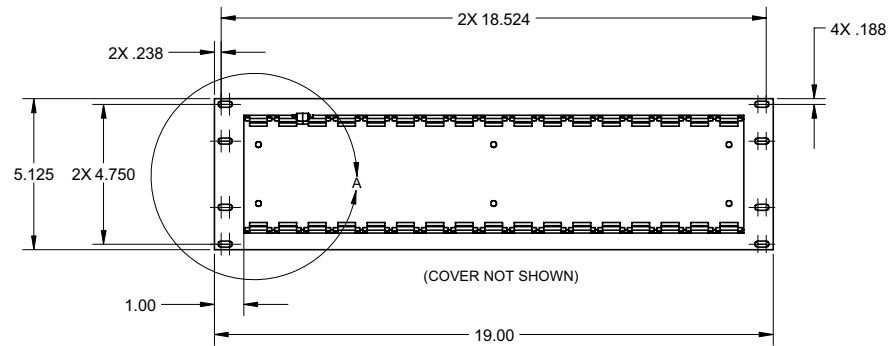
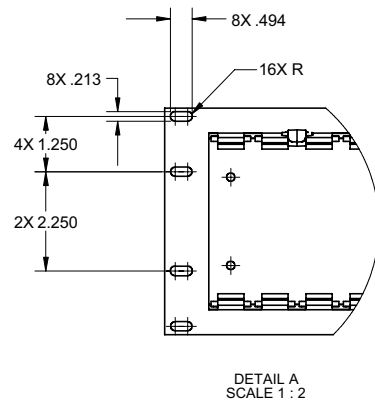
Contact us

Tel: +86-755-8981 8866 Fax: +86-755-8427 6832

Email & Skype: info@chipsmall.com Web: www.chipsmall.com

Address: A1208, Overseas Decoration Building, #122 Zhenhua RD., Futian, Shenzhen, China





REDUCED
NO SCALE

INVENTORS

HellermannTyton		
ALL PROPRIETARY RIGHTS IN THIS SUBJECT MATTER SHOWN ON THIS DRAWING ARE EXCLUSIVE PROPERTY OF HELLERMANNITYTON		
name	date	city, state

NOTES

- HARDWARE FURNISHED IN FINAL PACKAGING
8X #12-24 X 3/4 LG ZINC-PLATED PHILLIPS RND HD MSCR

REVISION

D level	01
A by	AAC
I date	09/16/02
G ECN #	003376
part level	A

DIMENSIONS

TO TOLERANCES UNLESS OTHERWISE SPECIFIED	.XXXX = ±.0005
	.XXX = ±.005
	.XX = ±.01
	.X = ±.03
	∠ = ±0.5 °
units	inches

PART

number	WMB32H	phase	PRODUCTION
name	3 UNIT DOUBLE SIDED 4 X 5 HORIZONTAL WIRE MANGEMENT BRACKET WITH HINGE CLIP		
material	PVC DUCT & COVER ALUMINUM MOUNTING PLATE COLOR: BLACK		

DRAWING

format	JES2011	CAD	SW	scale	1:3
computer file number	DT2012035CST_01	previous number			
date	09/16/02	released			
type	CUSTOMER	sheet 1 of 1			
number	DT2012035CST				