



Chipsmall Limited consists of a professional team with an average of over 10 year of expertise in the distribution of electronic components. Based in Hongkong, we have already established firm and mutual-benefit business relationships with customers from,Europe,America and south Asia,supplying obsolete and hard-to-find components to meet their specific needs.

With the principle of “Quality Parts,Customers Priority,Honest Operation,and Considerate Service”,our business mainly focus on the distribution of electronic components. Line cards we deal with include Microchip,ALPS,ROHM,Xilinx,Pulse,ON,Everlight and Freescale. Main products comprise IC,Modules,Potentiometer,IC Socket,Relay,Connector.Our parts cover such applications as commercial,industrial, and automotives areas.

We are looking forward to setting up business relationship with you and hope to provide you with the best service and solution. Let us make a better world for our industry!



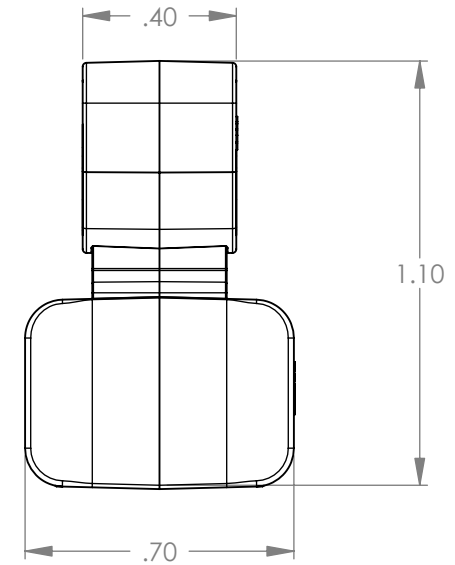
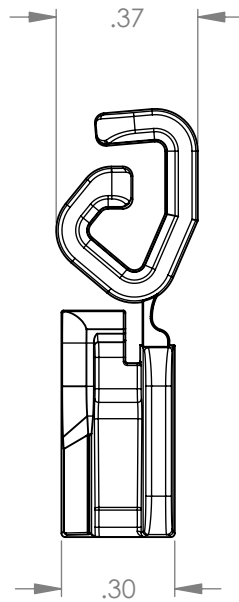
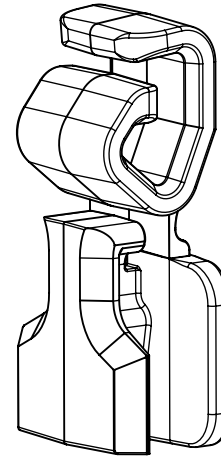
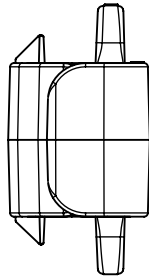
Contact us

Tel: +86-755-8981 8866 Fax: +86-755-8427 6832

Email & Skype: info@chipsmall.com Web: www.chipsmall.com

Address: A1208, Overseas Decoration Building, #122 Zhenhua RD., Futian, Shenzhen, China





SNAPS BETWEEN FINGERS OF SL1.5X2, SL1.5X4, SL2X4, SL3X3, SL3X5, SL4X4 AND SL4X5.
CLIPS ON TO COVER TC1.5, TC2, TC3 AND TC4.

INVENTORS

HellermannTyton®

ALL PROPRIETARY RIGHTS IN THE SUBJECT MATTER SHOWN ON THIS DRAWING ARE EXCLUSIVE PROPERTY OF HELLERMANNTYTON

name	date	city, state

REVISION

D	level	03
R	by	AAC
A	date	04/30/02
W	ECN #	003145
I	part level	B

DIMENSIONS

FOOT C	.XXXX = ±.0005
INCHES	.XXX = ±.005
	.XX = ±.01
	.X = ±.03
	∠ = ±0.5°
	unless otherwise specified
units	inches

PART

number	WMBH	phase	PRODUCTION
name	WIRE MANAGEMENT BRACKET COVER HINGE CLIP		
material	NYLON, BLACK		

DRAWING

format	AH	CAD	SW	scale	2:1
version N					
computer file name	DT2015001CST_03	previous drawing number			
drawn	M.E.F.	checked	MEF	approved	
	03/13/01		04/30/2002		
type	CUSTOMER	sheet 1 of 1			
number	DT2015001CST				