



Chipsmall Limited consists of a professional team with an average of over 10 year of expertise in the distribution of electronic components. Based in Hongkong, we have already established firm and mutual-benefit business relationships with customers from,Europe,America and south Asia,supplying obsolete and hard-to-find components to meet their specific needs.

With the principle of "Quality Parts,Customers Priority,Honest Operation,and Considerate Service",our business mainly focus on the distribution of electronic components. Line cards we deal with include Microchip,ALPS,ROHM,Xilinx,Pulse,ON,Everlight and Freescale. Main products comprise IC,Modules,Potentiometer,IC Socket,Relay,Connector.Our parts cover such applications as commercial,industrial, and automotives areas.

We are looking forward to setting up business relationship with you and hope to provide you with the best service and solution. Let us make a better world for our industry!



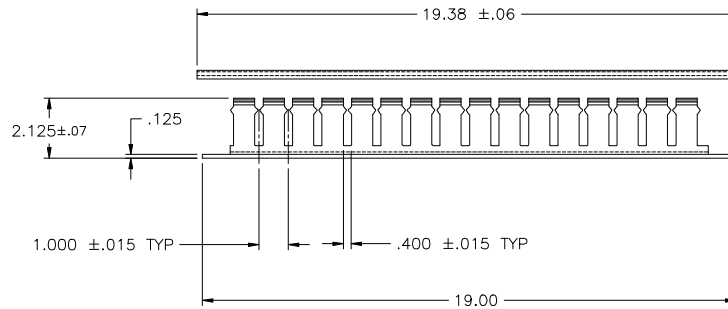
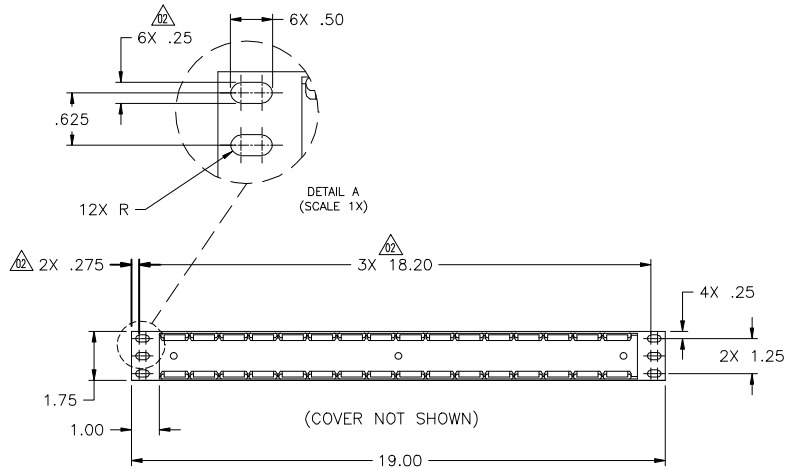
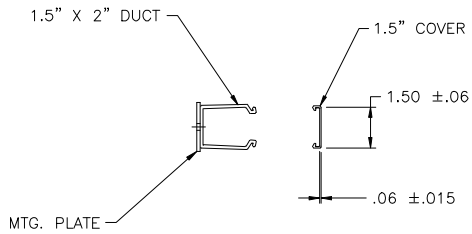
Contact us

Tel: +86-755-8981 8866 Fax: +86-755-8427 6832

Email & Skype: info@chipsmall.com Web: www.chipsmall.com

Address: A1208, Overseas Decoration Building, #122 Zhenhua RD., Futian, Shenzhen, China





REDUCED
NO SCALE

INVENTORS	HellermannTyton.		
	ALL PROPRIETARY RIGHTS IN THE SUBJECT MATTER SHOWN ON THIS DRAWING ARE EXCLUSIVE PROPERTY OF HELLERMANNITYTON		
	name	date	city, state

NOTES

- HARDWARE FURNISHED
4X #12-24 X 3/4 LG ZINC-PLATED PHILLIPS RND HD MSCR

REVISION	level	Δ
	date	06/04/02
	by	AAC
	ECN #	003197
	part level	-

DIMENSIONS	.xxxx = ±.0005
	.xxx = ±.005
	.xx = ±.01
	.x = ±.03
	∠ = ±2°
unless otherwise specified	
units	inches

PART	number	WMBN1	phase	PRODUCTION
	name	1 UNIT SINGLE SIDED 1.5 X 2 HORIZONTAL WIRE MANAGEMENT BRACKET		
	material	PVC DUCT & COVER ALUMINUM MTG. BRACKET COLOR: BLACK		

DRAWING	format	C	units	L	cad	ACAD	scale	3X	
	computer file number	DT\CST\2012008_02							
	previous number								
	drawn	SSL	checked	KAC	approved				
	date	07/10/96	checked	01/17/03	approved	type	CUSTOMER	sheet	1 of 1
number	DT2012008CST								