



Chipsmall Limited consists of a professional team with an average of over 10 year of expertise in the distribution of electronic components. Based in Hongkong, we have already established firm and mutual-benefit business relationships with customers from,Europe,America and south Asia,supplying obsolete and hard-to-find components to meet their specific needs.

With the principle of “Quality Parts,Customers Priority,Honest Operation,and Considerate Service”,our business mainly focus on the distribution of electronic components. Line cards we deal with include Microchip,ALPS,ROHM,Xilinx,Pulse,ON,Everlight and Freescale. Main products comprise IC,Modules,Potentiometer,IC Socket,Relay,Connector.Our parts cover such applications as commercial,industrial, and automotives areas.

We are looking forward to setting up business relationship with you and hope to provide you with the best service and solution. Let us make a better world for our industry!



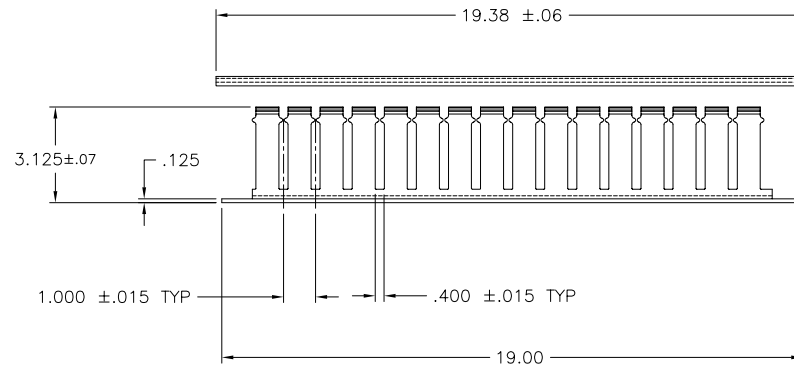
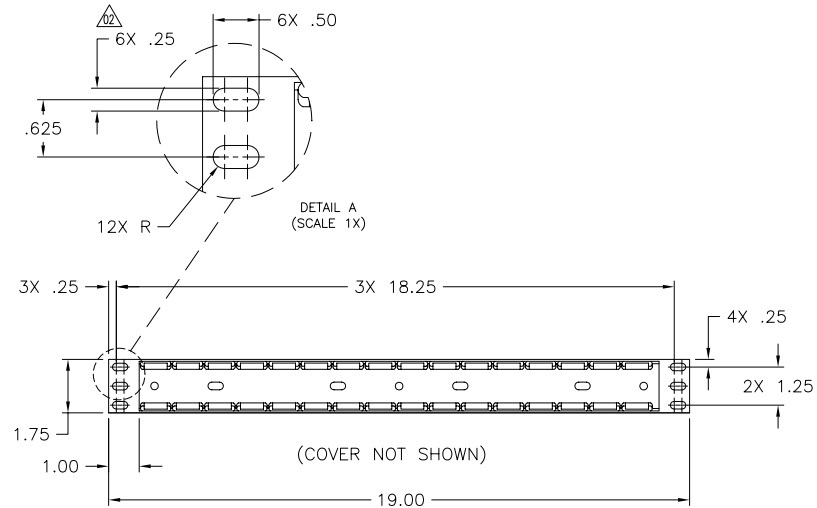
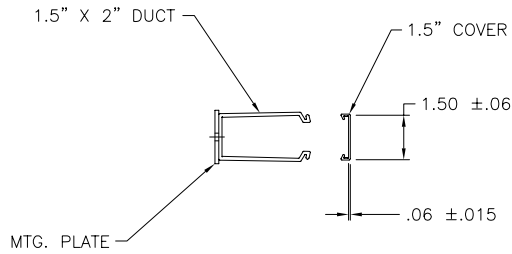
Contact us

Tel: +86-755-8981 8866 Fax: +86-755-8427 6832

Email & Skype: info@chipsmall.com Web: www.chipsmall.com

Address: A1208, Overseas Decoration Building, #122 Zhenhua RD., Futian, Shenzhen, China





REDUCED
NO SCALE

HellermannTyton.

ALL PROPRIETARY RIGHTS IN THE SUBJECT MATTER SHOWN ON THIS DRAWING ARE EXCLUSIVE PROPERTY OF HELLERMANNTYTON

name	date	city, state

NOTES

- HARDWARE FURNISHED
4X #12-24 X 3/4 LG ZINC-PLATED PHILLIPS RND HD MSCR

REVISIONS

level	date	by	ECN #	part level
01	04/24/02	AAC	003132	-

DIMENSIONS

.XXXX = ±.0005
.XXX = ±.005
.XX = ±.01
.X = ±.03
∠ = ±2'
unless otherwise specified
units inches

PART

number	phase	production
WMBP1		PRODUCTION
name	1 UNIT SINGLE SIDED 1.5 X 3 HORIZONTAL WIRE MANAGEMENT BRACKET	
material	PVC DUCT & COVER ALUMINUM MTG. BRACKET COLOR: BLACK	

FORMAT	C version	L	CAD	ACAD	scale
DT\CST\2012028_01					3X
computer file number					previous number
drawn	AAC		KAC		
date	04/24/02		09/24/03		
type	CUSTOMER				sheet 1 of 1
number	DT2012028CST				