



Chipsmall Limited consists of a professional team with an average of over 10 year of expertise in the distribution of electronic components. Based in Hongkong, we have already established firm and mutual-benefit business relationships with customers from,Europe,America and south Asia,supplying obsolete and hard-to-find components to meet their specific needs.

With the principle of “Quality Parts,Customers Priority,Honest Operation,and Considerate Service”,our business mainly focus on the distribution of electronic components. Line cards we deal with include Microchip,ALPS,ROHM,Xilinx,Pulse,ON,Everlight and Freescale. Main products comprise IC,Modules,Potentiometer,IC Socket,Relay,Connector.Our parts cover such applications as commercial,industrial, and automotives areas.

We are looking forward to setting up business relationship with you and hope to provide you with the best service and solution. Let us make a better world for our industry!



Contact us

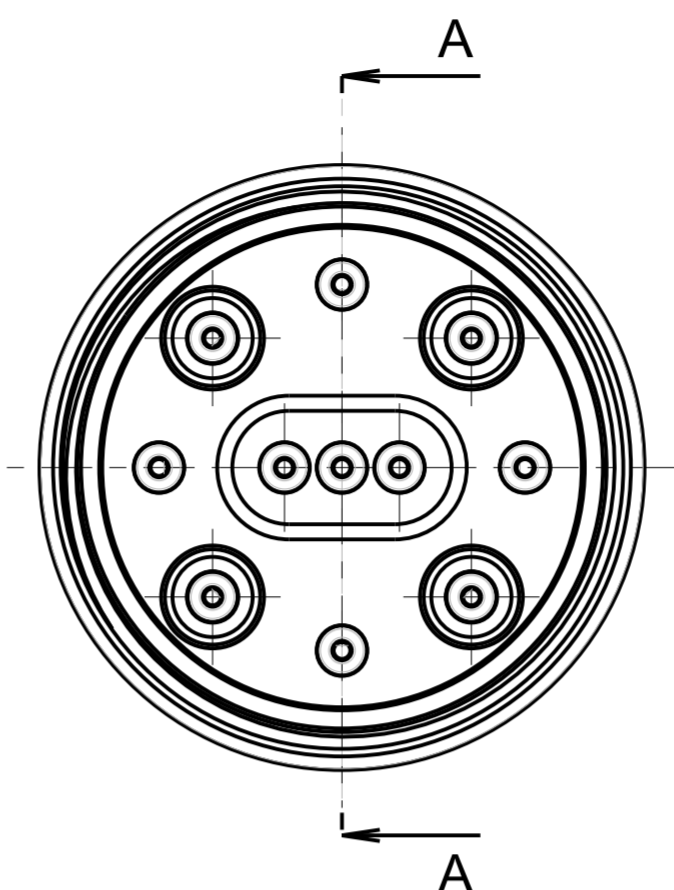
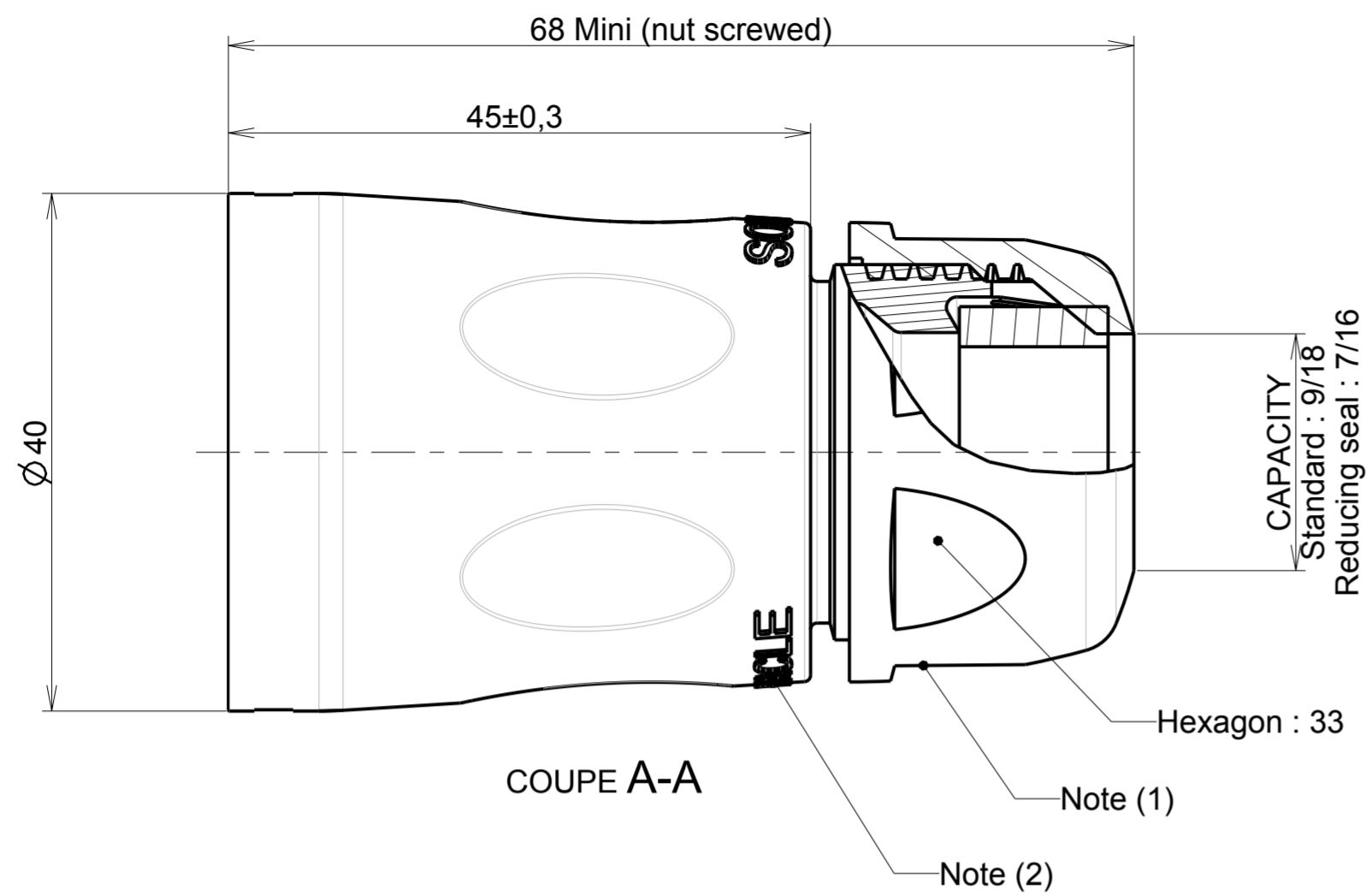
Tel: +86-755-8981 8866 Fax: +86-755-8427 6832

Email & Skype: info@chipsmall.com Web: www.chipsmall.com

Address: A1208, Overseas Decoration Building, #122 Zhenhua RD., Futian, Shenzhen, China



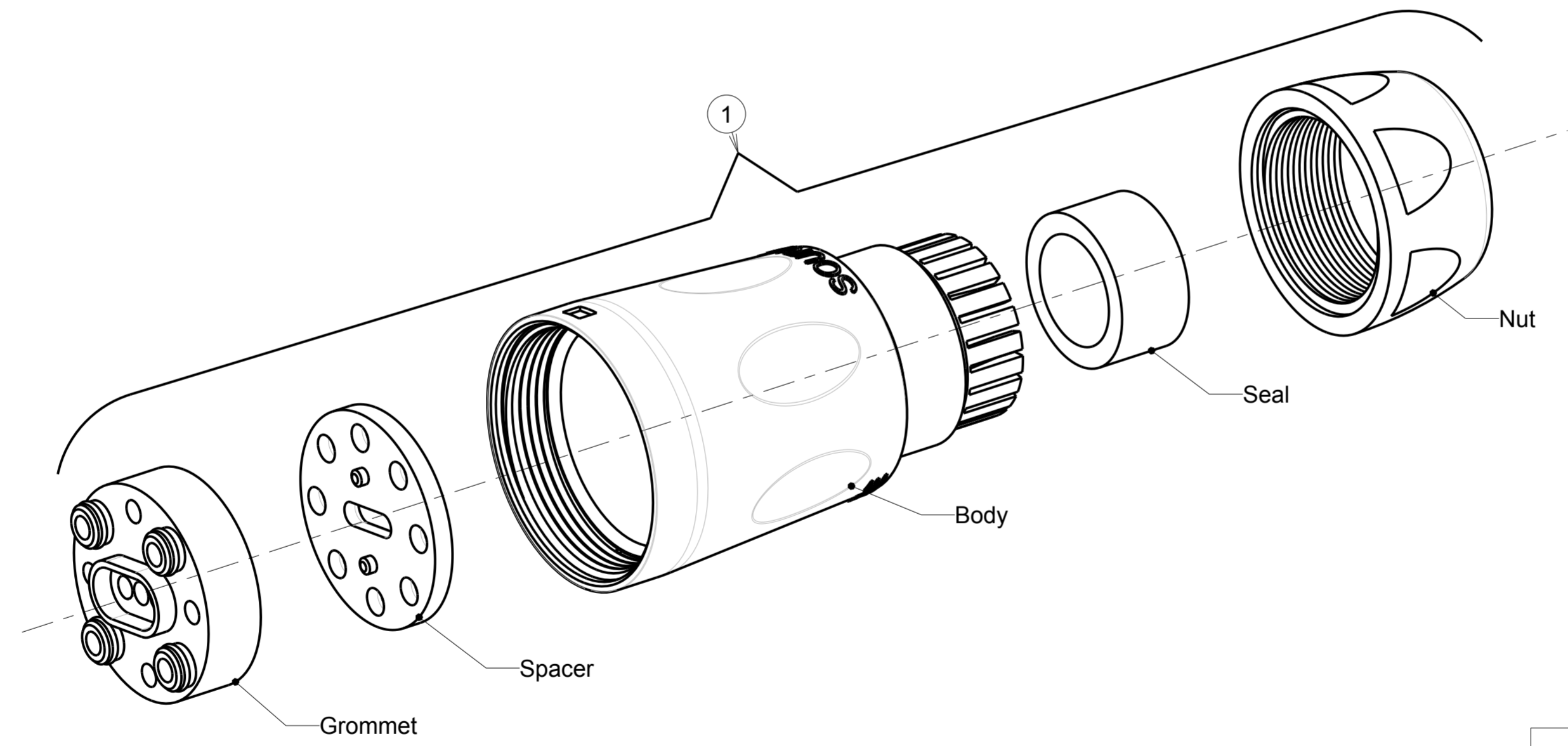
b : 1 : RL



MATERIAL :
 -Body : Thermoplastic
 -Nut : Thermoplastic
 -Seal : Neopren
 -Grommet : Silicone
 -Spacer : PA66

PERFORMANCE CHARACTERISTICS:
 -Operating temperature : -30° up to +85°
 -Level sealing : IP69K (connector assembled only)
 -The backshell is defined according to EN 16330 and Compliance Matrix N°13113

NOTES:
 (1): Remove sealing nut for backshell while using heatshrink boot
 (2): RECEPTACLE marking or PLUG marking



P/N : WME10010A (for receptacle)
 WME10011A (for plug)

REP	P/N	DESCRIPTION	COMMENTS
1	WME10010A	Receptacle Backshell	Delivered with Grommet and Spacer
	WME10011A	Plug Backshell	

b		31/07/13		Drawing becomes official		23017CPR	
ISS	DATE	Latest modification - by:		J.FEURPRIER		MOD N°	
Designed by:		J.FEURPRIER		Date: 27/05/13		CUSTOMER DRAWING	
TITLE		BACKSHELL SIZE 24 WME CONNECTOR					
Scale	1/1	General linear Tolerances: ± 0.2		NPRDS / PROJECT IC131707A			
SOURIAU		WWW.SOURIAU.COM		This document is the property of SOURIAU It must not be reproduced or communicated without permission			
FORMAT	A2	SOURIAU DRG N° WME1-0009A-C01				SHEET 1 / 1	