



Chipsmall Limited consists of a professional team with an average of over 10 year of expertise in the distribution of electronic components. Based in Hongkong, we have already established firm and mutual-benefit business relationships with customers from,Europe,America and south Asia,supplying obsolete and hard-to-find components to meet their specific needs.

With the principle of “Quality Parts,Customers Priority,Honest Operation,and Considerate Service”,our business mainly focus on the distribution of electronic components. Line cards we deal with include Microchip,ALPS,ROHM,Xilinx,Pulse,ON,Everlight and Freescale. Main products comprise IC,Modules,Potentiometer,IC Socket,Relay,Connector.Our parts cover such applications as commercial,industrial, and automotives areas.

We are looking forward to setting up business relationship with you and hope to provide you with the best service and solution. Let us make a better world for our industry!



## Contact us

Tel: +86-755-8981 8866 Fax: +86-755-8427 6832

Email & Skype: info@chipsmall.com Web: www.chipsmall.com

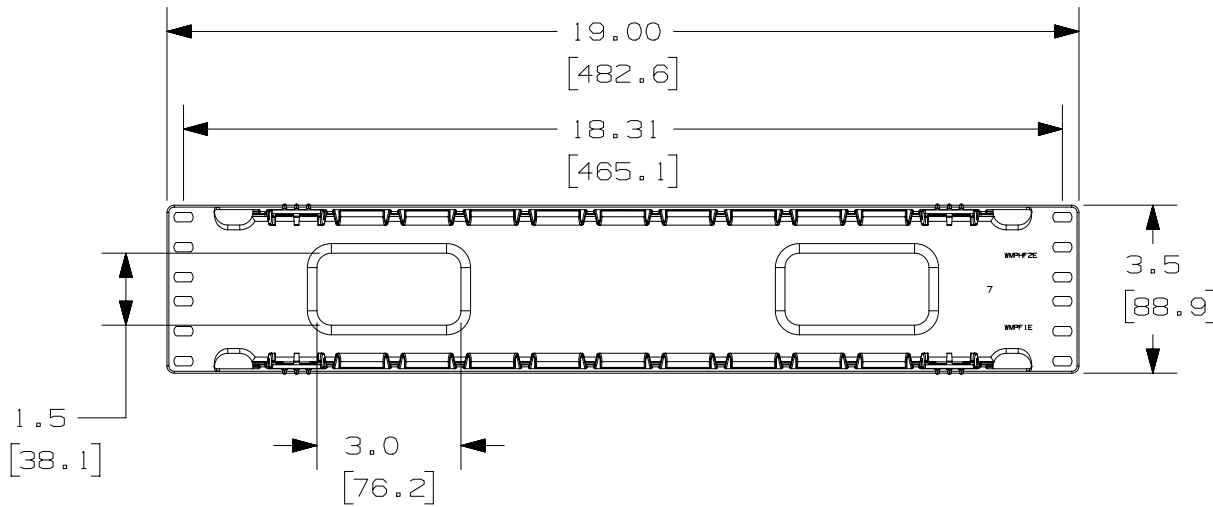
Address: A1208, Overseas Decoration Building, #122 Zhenhua RD., Futian, Shenzhen, China



THIS COPY IS PROVIDED ON A RESTRICTED BASIS AND IS NOT TO BE USED IN ANY WAY DETRIMENTAL TO THE INTERESTS OF PANDUIT CORP.

2

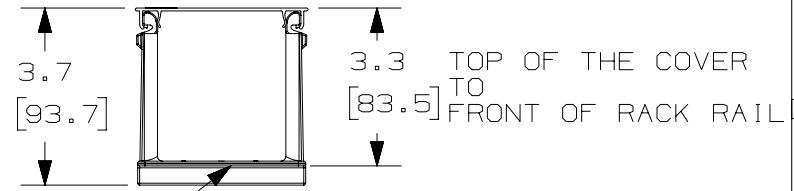
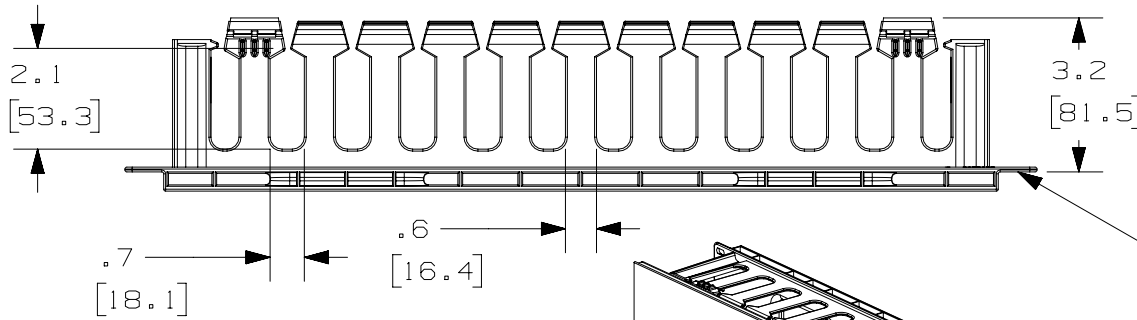
1



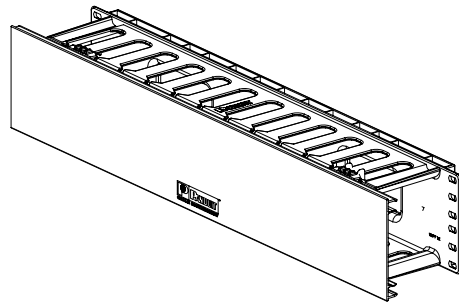
PANDUIT P/N	WEIGHT
WMPF1E	1.2 LBS/EACH 544 g/EACH
WMPF1E-X (10 PARTS/CARTON)	12.0 LBS/EACH 5.4 Kg/EACH

NOTES:

- DESIGNED FOR MOUNTING ON 19" EIA RACKS.
- COMPONENTS:  
1- MANAGER  
1- 17" X 3.6" DUAL HINGED COVER
- 4- #12-24 X 1/2" SCREWS
- DIMENSIONS IN PARENTHESES ARE METRIC.



SURFACE IN CONTACT WITH FRONT OF THE RACK RAIL



TITLE		<b>WMPF1E HORIZONTAL MANAGER</b>	
CUSTOMER DRAWING			
ITEM REVISION NAME	V10101AB/07	<b>PANDUIT</b>	
DATASET FILE NAME	V10101AB_DC/07A		
UNLESS OTHERWISE SPECIFIED, DIMENSIONAL TOLERANCES ARE: IN (mm)		MATERIAL:	
.XX ± .XXX ± ANGLES ±		ABS	
THIRD ANGLE PROJECTION		DRAWING NUMBER:	
V		V10101AB-DC	
DRAWN BY	DATE	CHK	SCALE
JDWE	12-17-02	MECA	NONE
REV	DATE	BY	CHK
07A	3-26-15	TWV	MACA
06F	4-22-13	BAME	RYB
APR	DESCRIPTION	ECN	

2

1

D10100DA/15