



Chipsmall Limited consists of a professional team with an average of over 10 year of expertise in the distribution of electronic components. Based in Hongkong, we have already established firm and mutual-benefit business relationships with customers from,Europe,America and south Asia,supplying obsolete and hard-to-find components to meet their specific needs.

With the principle of "Quality Parts,Customers Priority,Honest Operation,and Considerate Service",our business mainly focus on the distribution of electronic components. Line cards we deal with include Microchip,ALPS,ROHM,Xilinx,Pulse,ON,Everlight and Freescale. Main products comprise IC,Modules,Potentiometer,IC Socket,Relay,Connector.Our parts cover such applications as commercial,industrial, and automotives areas.

We are looking forward to setting up business relationship with you and hope to provide you with the best service and solution. Let us make a better world for our industry!



Contact us

Tel: +86-755-8981 8866 Fax: +86-755-8427 6832

Email & Skype: info@chipsmall.com Web: www.chipsmall.com

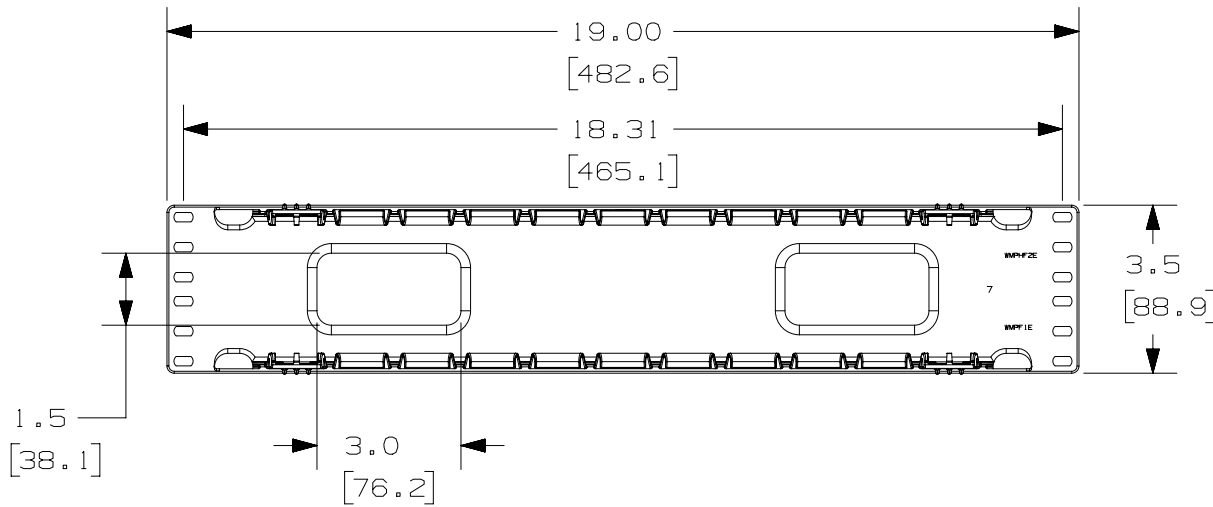
Address: A1208, Overseas Decoration Building, #122 Zhenhua RD., Futian, Shenzhen, China



THIS COPY IS PROVIDED ON A RESTRICTED BASIS AND IS NOT TO BE USED IN ANY WAY DETRIMENTAL TO THE INTERESTS OF PANDUIT CORP.

2

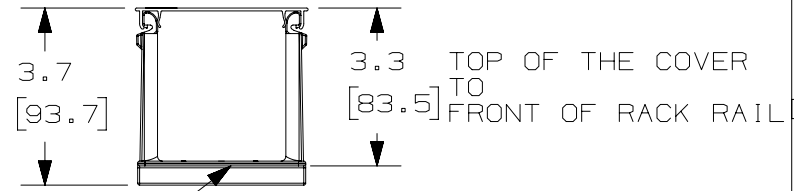
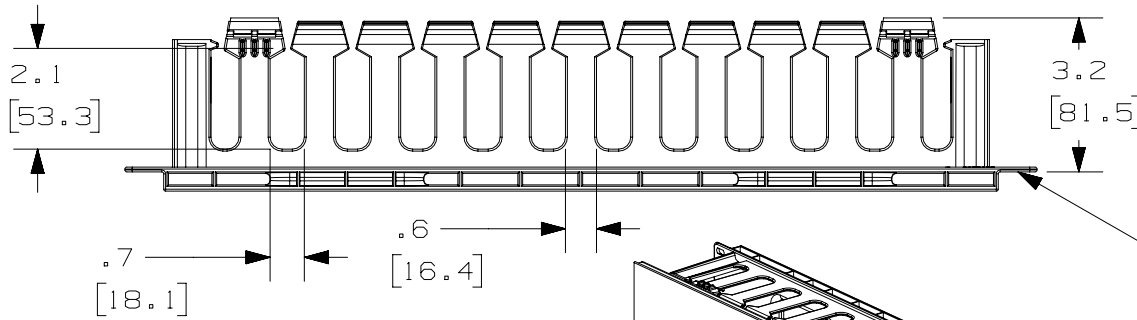
1



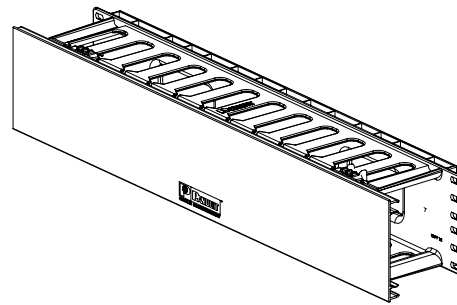
PANDUIT P/N	WEIGHT
WMPF1E	1.2 LBS/EACH 544 g/EACH
WMPF1E-X (10 PARTS/CARTON)	12.0 LBS/EACH 5.4 Kg/EACH

NOTES:

- DESIGNED FOR MOUNTING ON 19" EIA RACKS.
- COMPONENTS:
1- MANAGER
1- 17" X 3.6" DUAL HINGED COVER
4- #12-24 X 1/2" SCREWS
- DIMENSIONS IN PARENTHESES ARE METRIC.



SURFACE IN CONTACT WITH FRONT OF THE RACK RAIL



TITLE						WMPF1E HORIZONTAL MANAGER			
ITEM REVISION NAME						CUSTOMER DRAWING			
DATASET FILE NAME						PANDUIT			
UNLESS OTHERWISE SPECIFIED, DIMENSIONAL TOLERANCES ARE: IN (mm)						MATERIAL:			
.XX ±						ABS			
.XXX ±						DRAWING NUMBER:			
ANGLES ±						V10101AB-DC			
THIRD ANGLE PROJECTION						SHT 1 OF 1			
DRAWN BY		DATE		CHK		SCALE		SIZE	
JDWE		12-17-02		MECA		NONE		A	

REV	DATE	BY	CHK	APR	DESCRIPTION	ECN
07A	3-26-15	TWV	MACA	KRKE	BOM ADJUSTMENT; REVISED NOTES.	V10101AB-DC
06F	4-22-13	BAME	RYB	CMK	REVISED AND REDRAWN; ALL PREVIOUS REVS OMITTED REVISED TITLE BLOCK	V10101AB-DC

2

1

D10100DA/15