



Chipsmall Limited consists of a professional team with an average of over 10 year of expertise in the distribution of electronic components. Based in Hongkong, we have already established firm and mutual-benefit business relationships with customers from,Europe,America and south Asia,supplying obsolete and hard-to-find components to meet their specific needs.

With the principle of “Quality Parts,Customers Priority,Honest Operation,and Considerate Service”,our business mainly focus on the distribution of electronic components. Line cards we deal with include Microchip,ALPS,ROHM,Xilinx,Pulse,ON,Everlight and Freescale. Main products comprise IC,Modules,Potentiometer,IC Socket,Relay,Connector.Our parts cover such applications as commercial,industrial, and automotives areas.

We are looking forward to setting up business relationship with you and hope to provide you with the best service and solution. Let us make a better world for our industry!



Contact us

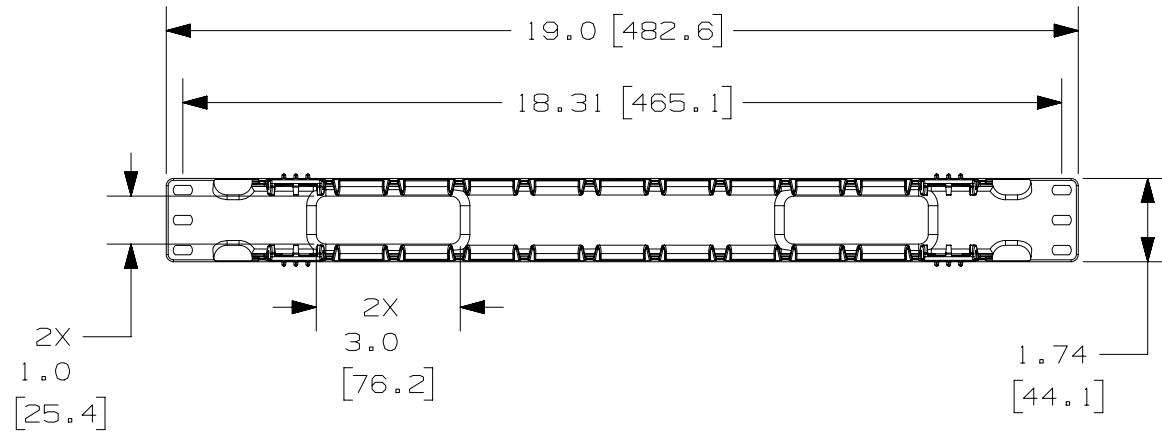
Tel: +86-755-8981 8866 Fax: +86-755-8427 6832

Email & Skype: info@chipsmall.com Web: www.chipsmall.com

Address: A1208, Overseas Decoration Building, #122 Zhenhua RD., Futian, Shenzhen, China

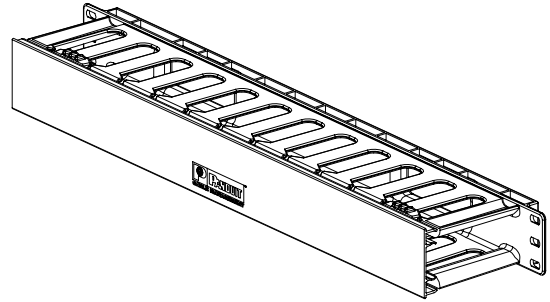
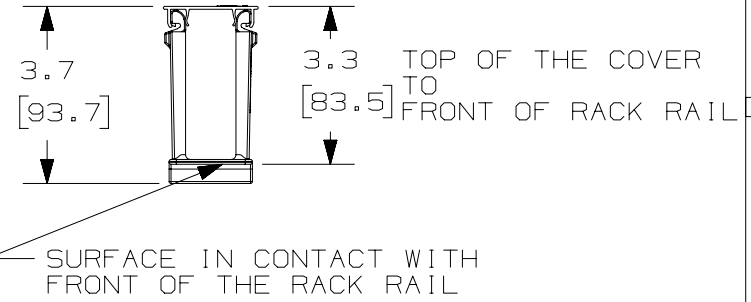
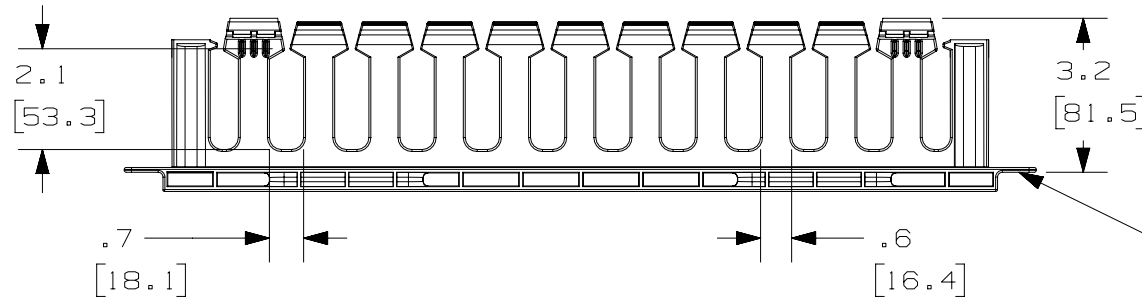


THIS COPY IS PROVIDED ON A RESTRICTED BASIS AND IS NOT TO BE USED IN ANY WAY DETRIMENTAL TO THE INTERESTS OF PANDUIT CORP.



PANDUIT P/N	WEIGHT
WMPFSE	.9 LBS/EACH 408 g/EACH
WMPFSE -E (20 PARTS/CARTON)	18 LBS/EACH 8.2 Kg/EACH

- NOTES:
- DESIGNED FOR MOUNTING ON 19" EIA RACKS.
 - COMPONENTS:
1- MANAGER
1- 17" X 2.0" DUAL HINGED COVER
4- #12-24 x 1/2" SCREWS
 - DIMENSIONS IN PARENTHESES ARE METRIC.



TITLE		WMPFSE HORIZONTAL MANAGER	
CUSTOMER DRAWING			
ITEM REVISION NAME	V10101FS/06	PANDUIT	
DATASET FILE NAME	V10101FS_DC/06A		
UNLESS OTHERWISE SPECIFIED, DIMENSIONAL TOLERANCES ARE: IN (mm)		MATERIAL: ABS	
THIRD ANGLE PROJECTION		DRAWING NUMBER: V10101FS-DC	
DRAWN BY	DATE	CHK	SCALE
JDWE	12-18-02	MECA	NONE
SHT 1 OF 1		SIZE A	

REV	DATE	BY	CHK	APR	DESCRIPTION	ECN
06A	3-26-15	TWV	MACA	KRKE	BOM ADJUSTMENT; REVISED NOTES.	V10101FS-DC
05D	4-8-13	BAME	FGR	CMK	REVISED AND REDRAWN; ALL PREVIOUS REVS OMITTED REVISED TITLE BLOCK	V10101FS-DC
R	12-18-02	JDWE	MECA	RTSU	RELEASED TO PRODUCTION	10101-21

D10100DA/15