



Chipsmall Limited consists of a professional team with an average of over 10 year of expertise in the distribution of electronic components. Based in Hongkong, we have already established firm and mutual-benefit business relationships with customers from,Europe,America and south Asia,supplying obsolete and hard-to-find components to meet their specific needs.

With the principle of “Quality Parts,Customers Priority,Honest Operation,and Considerate Service”,our business mainly focus on the distribution of electronic components. Line cards we deal with include Microchip,ALPS,ROHM,Xilinx,Pulse,ON,Everlight and Freescale. Main products comprise IC,Modules,Potentiometer,IC Socket,Relay,Connector.Our parts cover such applications as commercial,industrial, and automotives areas.

We are looking forward to setting up business relationship with you and hope to provide you with the best service and solution. Let us make a better world for our industry!



Contact us

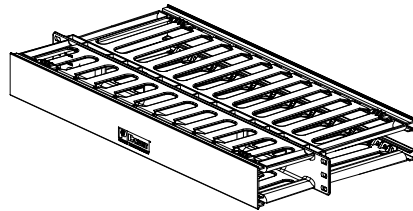
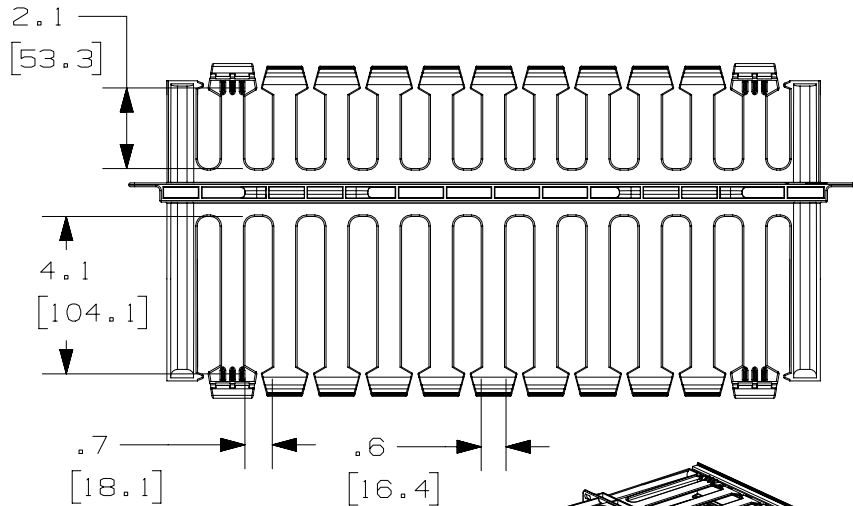
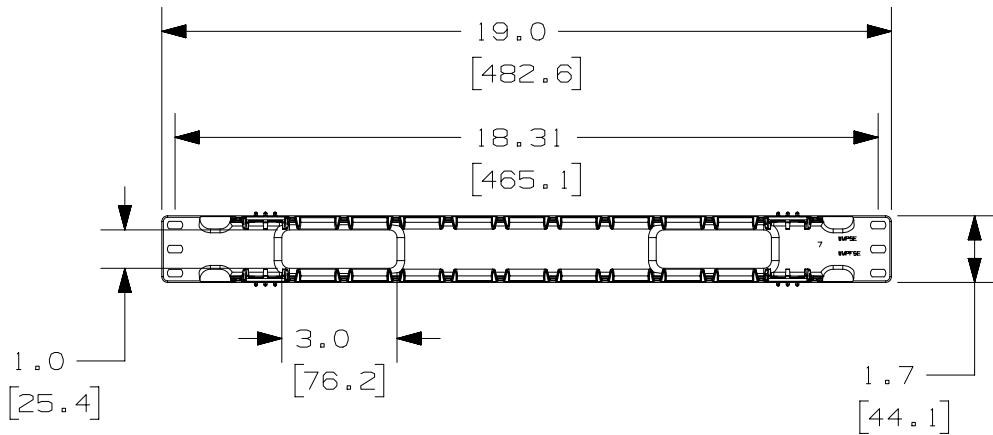
Tel: +86-755-8981 8866 Fax: +86-755-8427 6832

Email & Skype: info@chipsmall.com Web: www.chipsmall.com

Address: A1208, Overseas Decoration Building, #122 Zhenhua RD., Futian, Shenzhen, China



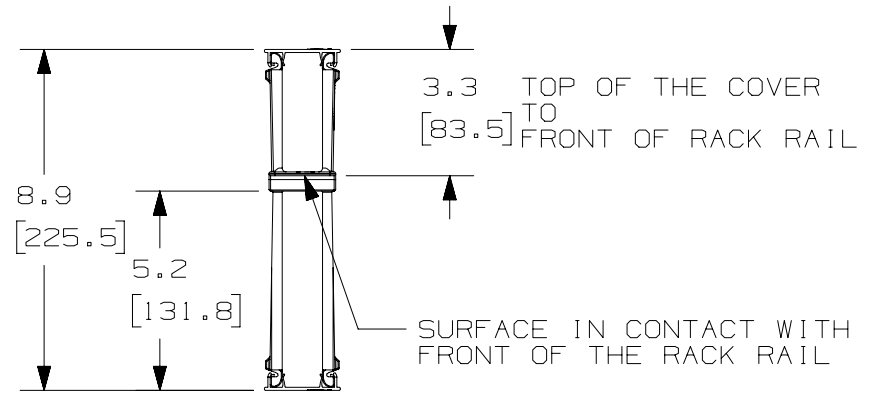
THIS COPY IS PROVIDED ON A RESTRICTED BASIS AND IS NOT TO BE USED IN ANY WAY DETRIMENTAL TO THE INTERESTS OF PANDUIT CORP.



PANDUIT P/N	WEIGHT
WMPSE	1.2 LBS/EACH 544 g/EACH
WMPSE-X (10 PARTS/CARTON)	12.0 LBS/EACH 5.4 Kg/EACH

NOTES:

- DESIGNED FOR MOUNTING ON 19" EIA RACKS.
- COMPONENTS:
1- MANAGER
2- 17" X 2.0" DUAL HINGED COVERS
4- #12-24 X 1/2" SCREWS
2- STRAIN RELIEF CLIPS
- DIMENSIONS IN PARENTHESES ARE METRIC.



TITLE		CUSTOMER DRAWING	
WMPSE HORIZONTAL MANAGER		CUSTOMER DRAWING	
ITEM REVISION NAME		V10101WS/08	
DATASET FILE NAME		V10101WS_DC/08A	
UNLESS OTHERWISE SPECIFIED, DIMENSIONAL TOLERANCES ARE: IN (mm)		MATERIAL: ABS	
THIRD ANGLE PROJECTION		DRAWING NUMBER: V10101WS-DC	
DRAWN BY	DATE	CHK	SCALE
JDWE	12-17-02	MECA	NONE
SHT 1 OF 1			SIZE A

REV	DATE	BY	CHK	APR	DESCRIPTION	ECN
08A	3-26-15	TWV	MACA	KRKE	REMOVED M6 SCREWS. REVISED NOTES.	V10101WS-DC
07D	4-8-13	BAME	FGR	CMK	REVISED AND REDRAWN; ALL PREVIOUS REVS OMITTED REVISED TITLE BLOCK	V10101WS-DC
R	12-17-02	JDWE	MECA	RTSU	RELEASED TO PRODUCTION	10101-27

D101000DA/15