



Chipsmall Limited consists of a professional team with an average of over 10 year of expertise in the distribution of electronic components. Based in Hongkong, we have already established firm and mutual-benefit business relationships with customers from,Europe,America and south Asia,supplying obsolete and hard-to-find components to meet their specific needs.

With the principle of "Quality Parts,Customers Priority,Honest Operation,and Considerate Service",our business mainly focus on the distribution of electronic components. Line cards we deal with include Microchip,ALPS,ROHM,Xilinx,Pulse,ON,Everlight and Freescale. Main products comprise IC,Modules,Potentiometer,IC Socket,Relay,Connector.Our parts cover such applications as commercial,industrial, and automotives areas.

We are looking forward to setting up business relationship with you and hope to provide you with the best service and solution. Let us make a better world for our industry!



Contact us

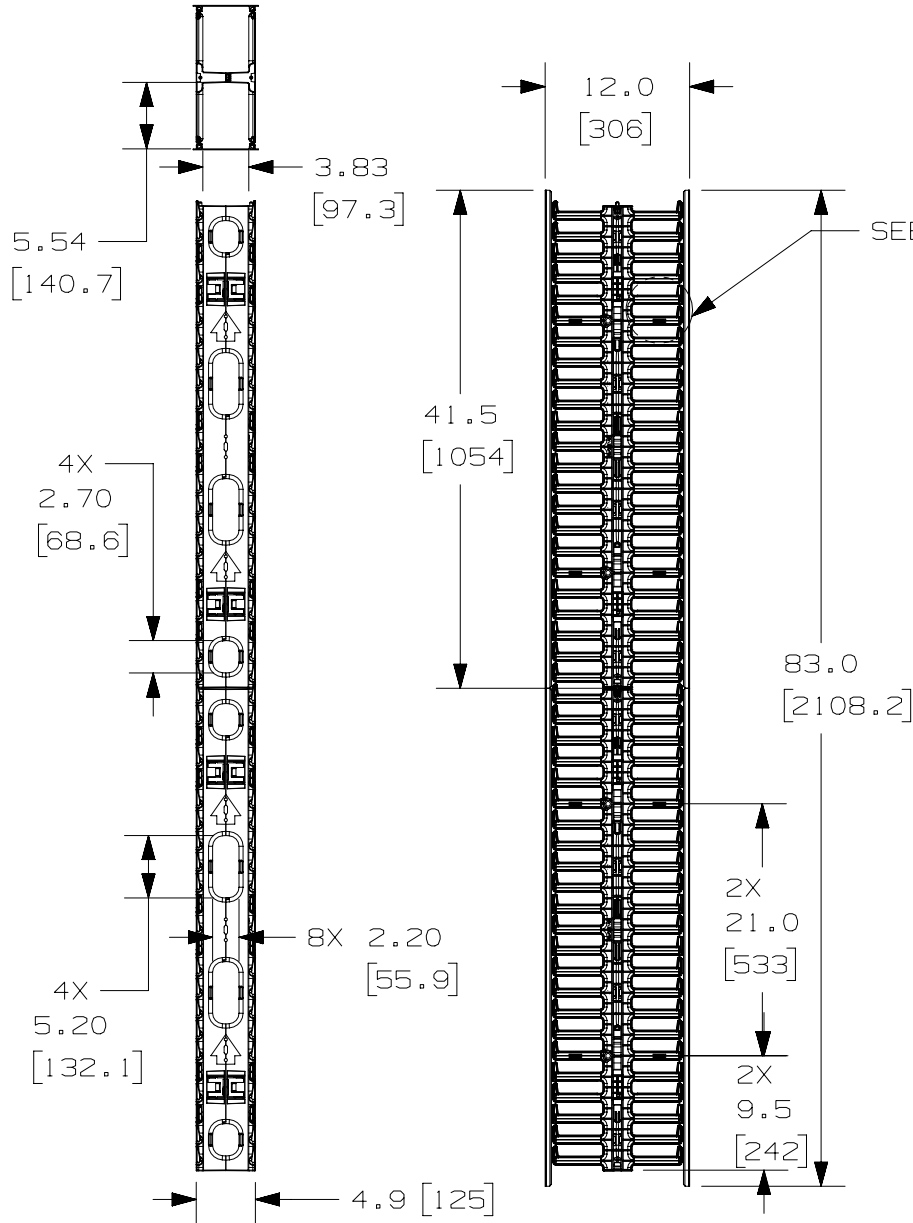
Tel: +86-755-8981 8866 Fax: +86-755-8427 6832

Email & Skype: info@chipsmall.com Web: www.chipsmall.com

Address: A1208, Overseas Decoration Building, #122 Zhenhua RD., Futian, Shenzhen, China



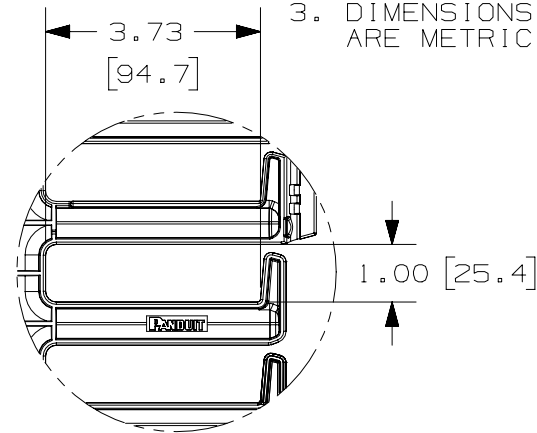
THIS COPY IS PROVIDED ON A RESTRICTED BASIS AND IS NOT TO BE USED IN ANY WAY DETRIMENTAL TO THE INTERESTS OF PANDUIT CORP.



| PANDUIT P/N | WEIGHT |
|-------------|-------------------------------|
| WMPV45E | 21.0 LBS/EACH 9.52 Kg/EACH |

NOTES:

- VISIT OUR ON-LINE CATALOG AT WWW.PANDUIT.COM FOR A CURRENT LIST OF PRODUCTS APPLICABLE FOR USE WITH THIS PART.
- COMPONENTS:
 2- 22.5RU CABLE MANAGEMENT SECTIONS
 4- 41.5" DUAL HINGE COVERS
 4- MOUNTING BRACKETS
 8- #12-24 X 1/2" SCREWS
- DIMENSIONS IN PARENTHESES ARE METRIC.



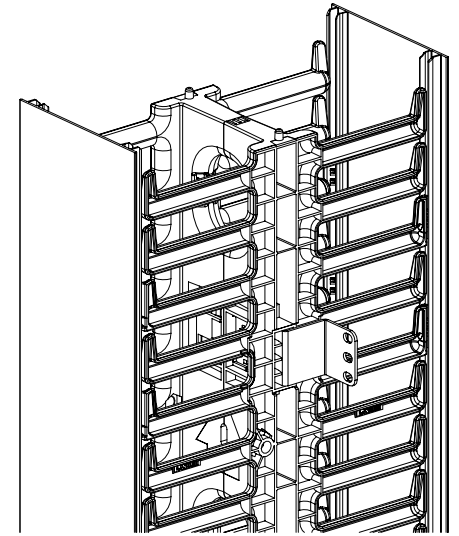
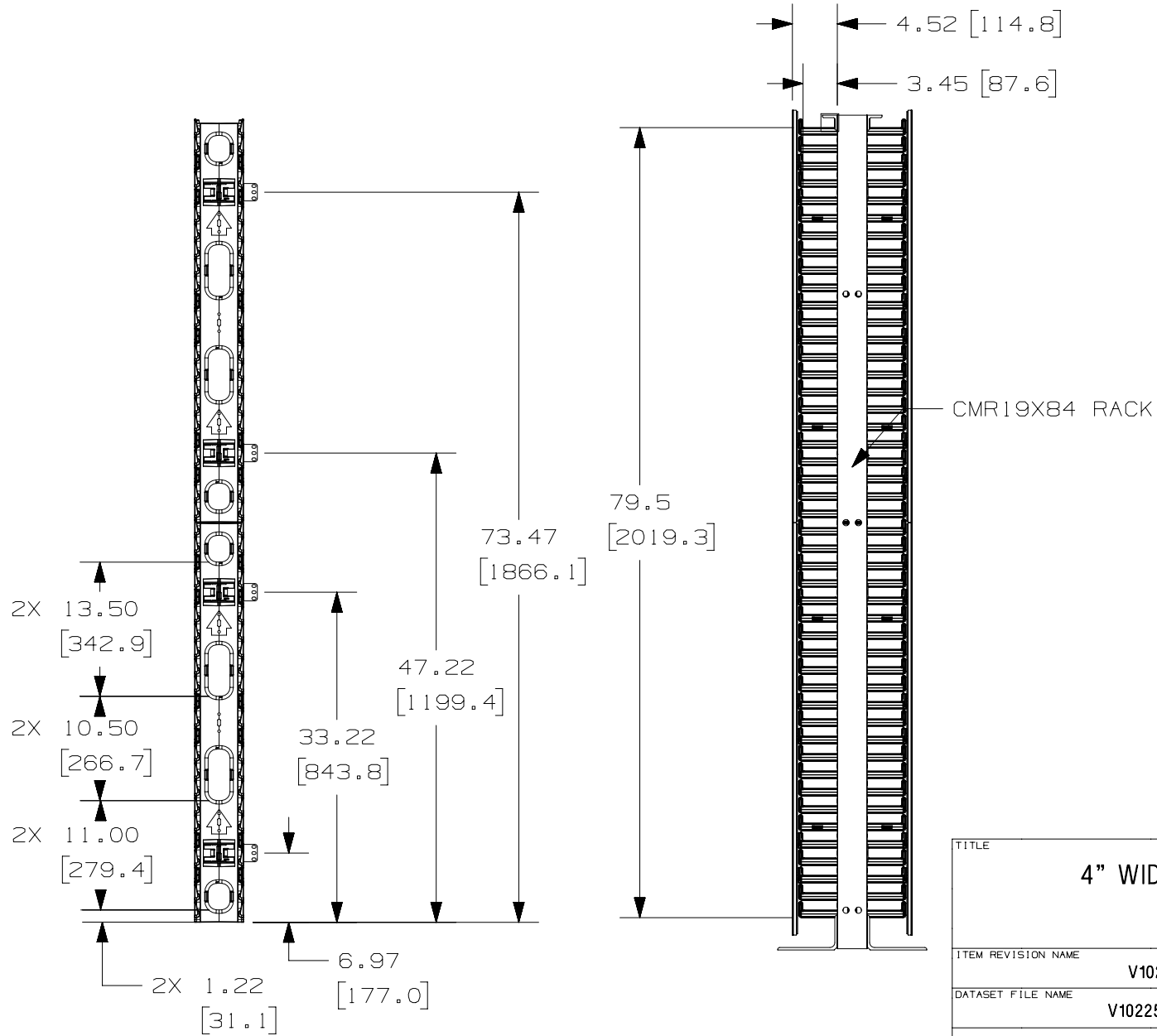
DETAIL A

| TITLE | |
|--|-----------------|
| 4" WIDE VERTICAL CABLE MANAGER WMPV45E | |
| CUSTOMER DRAWING | |
| ITEM REVISION NAME | V10225AA/05 |
| DATASET FILE NAME | V10225AA_DC/05A |
| UNLESS OTHERWISE SPECIFIED, DIMENSIONAL TOLERANCES ARE: IN (mm) | |
| .X ± | .XXX ± |
| .XX ± | ANGLES ± |
| THIRD ANGLE PROJECTION | |
| MATERIAL: | |
| CABLE MANAGER- ABS COVER- PVC | |
| DRAWING NUMBER: | |
| 10225-23 | |
| DRAWN BY | DATE |
| JDWE | 3-15-05 |
| CHK | SCALE |
| TCK | NONE |
| SHT 1 OF 2 | |
| SIZE A | |

| REV | DATE | BY | CHK | APR | DESCRIPTION | ECN |
|-----|---------|------|------|------|---|----------|
| 05A | 3-30-15 | TWV | MACA | KRKE | REMOVED CABLE RETAINERS. REVISED NOTES. | 10225-23 |
| 04A | 4-23-13 | BAME | FGR | CMK | REVISED AND REDRAWN; ALL PREVIOUS REVS OMITTED REVISED TITLE BLOCK | 10225-23 |

D10100DA/15

THIS COPY IS PROVIDED ON A RESTRICTED BASIS AND IS NOT TO BE USED IN ANY WAY DETRIMENTAL TO THE INTERESTS OF PANDUIT CORP.



| | | | |
|--|-----------------|---|-------|
| TITLE | | 4" WIDE VERTICAL CABLE MANAGER WMPV45E | |
| CUSTOMER DRAWING | | | |
| ITEM REVISION NAME | V10225AA/05 | PANDUIT | |
| DATASET FILE NAME | V10225AA_DC/05A | | |
| UNLESS OTHERWISE SPECIFIED, DIMENSIONAL TOLERANCES ARE: IN (mm) | | MATERIAL: | |
| .X ± .XX ± | | CABLE MANAGER- ABS COVER- PVC | |
| .XXX ± ANGLES ± | | DRAWING NUMBER: | |
| THIRD ANGLE PROJECTION | | 10225-23 | |
| DRAWN BY | DATE | CHK | SCALE |
| JDWE | 3-15-05 | TCK | NONE |
| SHT 2 OF 2 | | SIZE | |
| | | A | |

| REV | DATE | BY | CHK | APR | DESCRIPTION | ECN |
|-----|---------|------|------|------|--------------------------------|----------|
| 05A | 3-30-15 | TWV | MACA | KRKE | SEE SHEET 1 OF 2 FOR REVISIONS | 10225-23 |
| 04A | 4-23-13 | BAME | FGR | CMK | SEE SHEET 1 OF 2 FOR REVISIONS | 10225-23 |

D10100DA/15