



Chipsmall Limited consists of a professional team with an average of over 10 year of expertise in the distribution of electronic components. Based in Hongkong, we have already established firm and mutual-benefit business relationships with customers from,Europe,America and south Asia,supplying obsolete and hard-to-find components to meet their specific needs.

With the principle of “Quality Parts,Customers Priority,Honest Operation,and Considerate Service”,our business mainly focus on the distribution of electronic components. Line cards we deal with include Microchip,ALPS,ROHM,Xilinx,Pulse,ON,Everlight and Freescale. Main products comprise IC,Modules,Potentiometer,IC Socket,Relay,Connector.Our parts cover such applications as commercial,industrial, and automotives areas.

We are looking forward to setting up business relationship with you and hope to provide you with the best service and solution. Let us make a better world for our industry!



Contact us

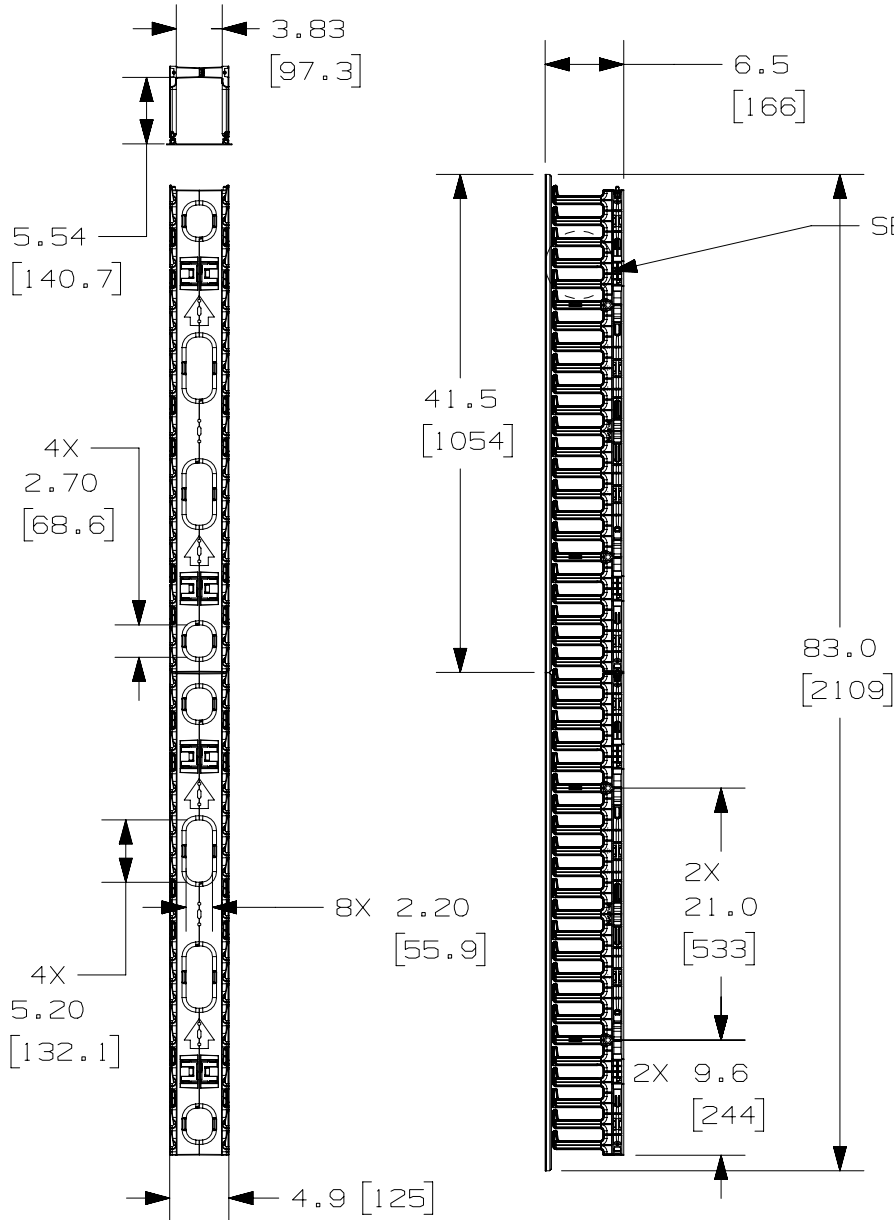
Tel: +86-755-8981 8866 Fax: +86-755-8427 6832

Email & Skype: info@chipsmall.com Web: www.chipsmall.com

Address: A1208, Overseas Decoration Building, #122 Zhenhua RD., Futian, Shenzhen, China



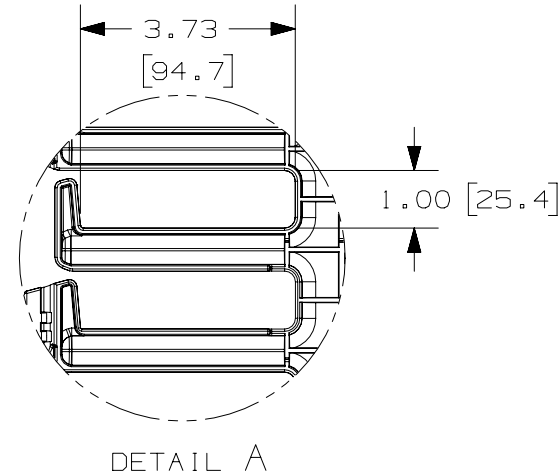
THIS COPY IS PROVIDED ON A RESTRICTED BASIS AND IS NOT TO BE USED IN ANY WAY DETRIMENTAL TO THE INTERESTS OF PANDUIT CORP.



PANDUIT P/N	WEIGHT
WMPVF45E	14.0 LBS/EACH 6.35 Kg/EACH

NOTES:

- VISIT OUR ON-LINE CATALOG AT WWW.PANDUIT.COM FOR A CURRENT LIST OF PRODUCTS APPLICABLE FOR USE WITH THIS PART.
- COMPONENTS:
2- 22.5RU CABLE MANAGEMENT SECTIONS
2- 41.5" DUAL HINGE COVERS
4- MOUNTING BRACKETS
8- #12-24 X 1/2" SCREWS
- DIMENSIONS IN PARENTHESES ARE METRIC.

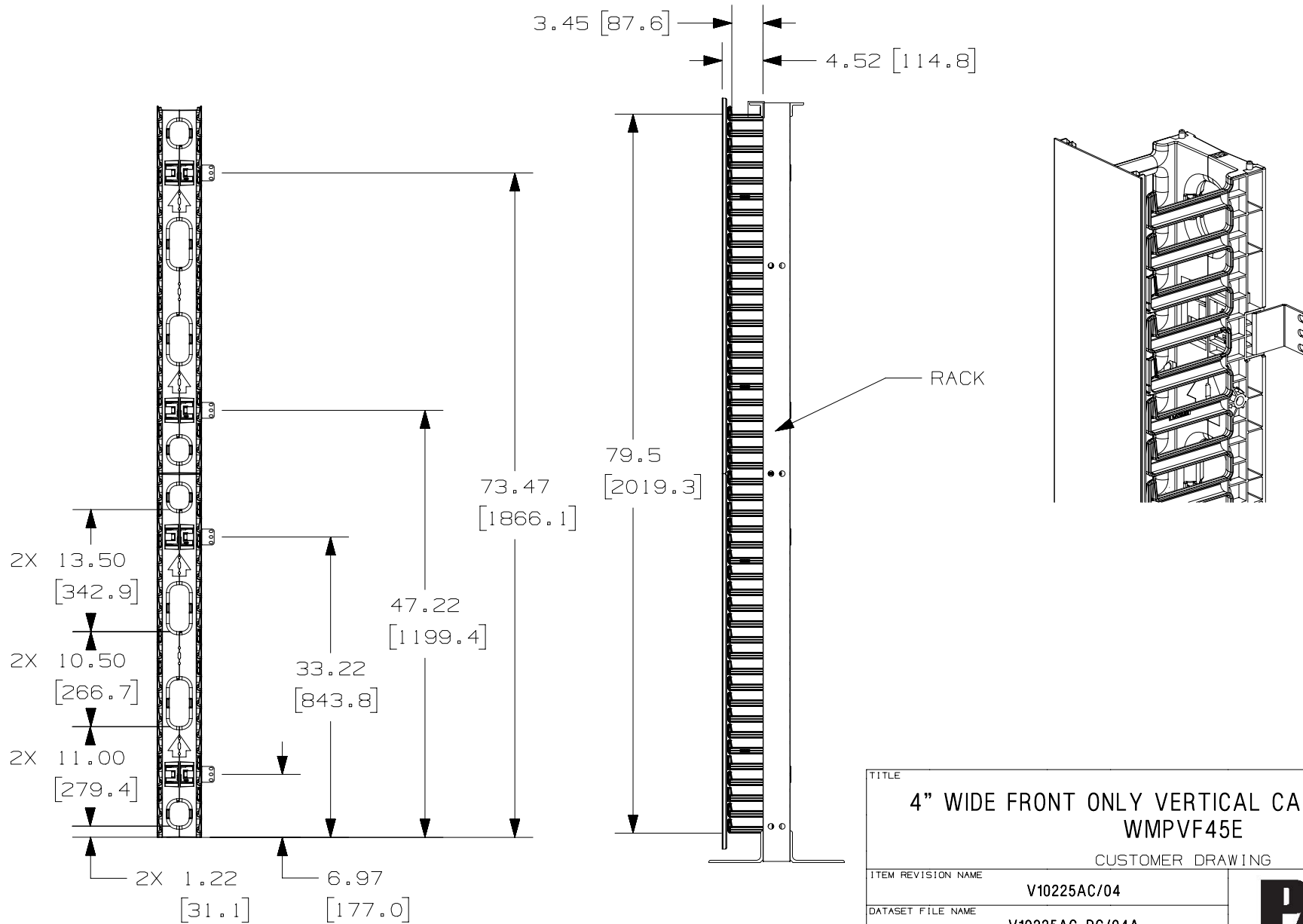


TITLE		CUSTOMER DRAWING						
4" WIDE FRONT ONLY VERTICAL CABLE MANAGER WMPVF45E		PANDUIT						
ITEM REVISION NAME V10225AC/04								
DATASET FILE NAME V10225AC-DC/04A		MATERIAL: CABLE MANAGER- ABS COVER- PVC						
UNLESS OTHERWISE SPECIFIED, DIMENSIONAL TOLERANCES ARE: IN (mm)		DRAWING NUMBER: 10225-24						
.X ±	.XXX ±	THIRD ANGLE PROJECTION						
.XX ±	ANGLES ±							
DRAWN BY JDWE	DATE 3-15-05	CHK TCK	SCALE NONE					
REV	DATE	BY	CHK	APR	DESCRIPTION	ECN	SHT 1 OF 2	SIZE A

04A	3-30-15	TWV	MACA	KRKE	REMOVED CABLE RETAINERS. REVISED NOTES.	10225-24
03A	6-4-13	BAME	FGR	CMK	REVISED AND REDRAWN; ALL PREVIOUS REVS OMITTED REVISED TITLE BLOCK	10225-24

D10100DA/15

THIS COPY IS PROVIDED ON A RESTRICTED BASIS AND IS NOT TO BE USED IN ANY WAY DETRIMENTAL TO THE INTERESTS OF PANDUIT CORP.



TITLE		4" WIDE FRONT ONLY VERTICAL CABLE MANAGER WMPVF45E	
CUSTOMER DRAWING			
ITEM REVISION NAME	V10225AC/04	PANDUIT	
DATASET FILE NAME	V10225AC_DC/04A		
UNLESS OTHERWISE SPECIFIED, DIMENSIONAL TOLERANCES ARE: IN (mm)		MATERIAL:	
.X ± .XX ±		CABLE MANAGER- ABS COVER- PVC	
.XXX ± ANGLES ±		DRAWING NUMBER:	
THIRD ANGLE PROJECTION		10225-24	
DRAWN BY	DATE	CHK	SCALE
JDWE	3-15-05	TCK	NONE
DESCRIPTION		SHT 2 OF 2	
ECN		A	

REV	DATE	BY	CHK	APR	DESCRIPTION	ECN
04A	3-30-15	TWV	MACA	KRKE	SEE SHEET 1 OF 2 FOR REVISIONS	10225-24
03A	6-4-13	BAME	FGR	CMK	SEE SHEET 1 OF 2 FOR REVISIONS	10225-24

D10100DA/15