



Chipsmall Limited consists of a professional team with an average of over 10 year of expertise in the distribution of electronic components. Based in Hongkong, we have already established firm and mutual-benefit business relationships with customers from,Europe,America and south Asia,supplying obsolete and hard-to-find components to meet their specific needs.

With the principle of “Quality Parts,Customers Priority,Honest Operation,and Considerate Service”,our business mainly focus on the distribution of electronic components. Line cards we deal with include Microchip,ALPS,ROHM,Xilinx,Pulse,ON,Everlight and Freescale. Main products comprise IC,Modules,Potentiometer,IC Socket,Relay,Connector.Our parts cover such applications as commercial,industrial, and automotives areas.

We are looking forward to setting up business relationship with you and hope to provide you with the best service and solution. Let us make a better world for our industry!



Contact us

Tel: +86-755-8981 8866 Fax: +86-755-8427 6832

Email & Skype: info@chipsmall.com Web: www.chipsmall.com

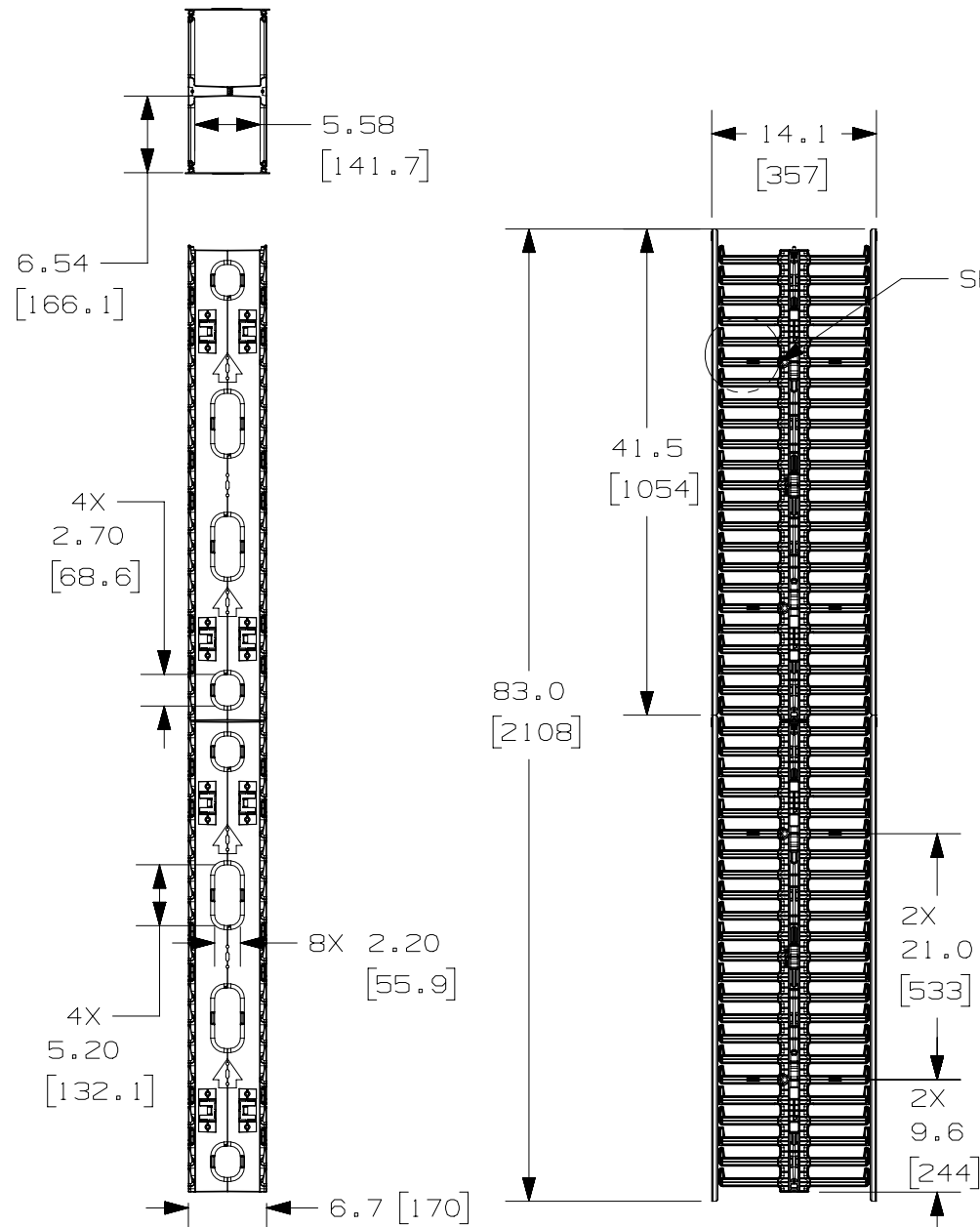
Address: A1208, Overseas Decoration Building, #122 Zhenhua RD., Futian, Shenzhen, China



THIS COPY IS PROVIDED ON A RESTRICTED BASIS AND IS NOT TO BE USED IN ANY WAY DETRIMENTAL TO THE INTERESTS OF PANDUIT CORP.

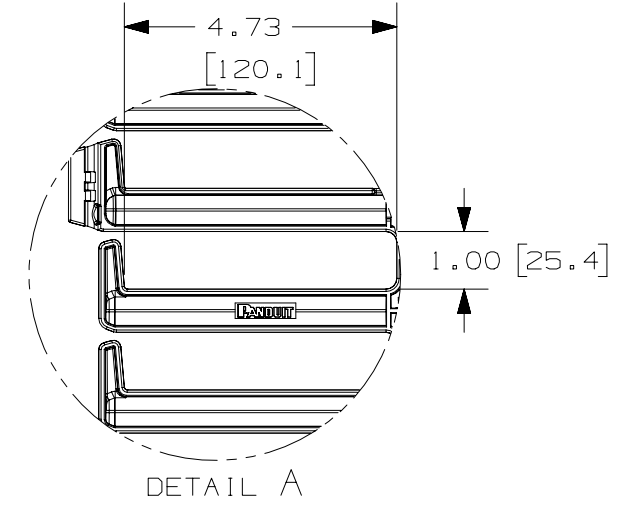
2

1



PANDUIT P/N	WEIGHT
WMPVHC45E	23.0 LBS/EACH 10.43 Kg/EACH

- NOTES:
- VISIT OUR ON-LINE CATALOG AT WWW.PANDUIT.COM FOR A CURRENT LIST OF PRODUCTS APPLICABLE FOR USE WITH THIS PART.
 - COMPONENTS:
 - 2- 22.5RU CABLE MANAGEMENT SECTIONS
 - 4- 41.5" DUAL HINGE COVERS
 - 4- MOUNTING BRACKETS
 - 8- #12-24 X 1/2" SCREWS
 - DIMENSIONS IN PARENTHESES ARE METRIC.



TITLE	
6" WIDE VERTICAL CABLE MANAGER WMPVHC45E CUSTOMER DRAWING	
ITEM REVISION NAME	V10225AG/06
DATASET FILE NAME	V10225AG_DC/06A
UNLESS OTHERWISE SPECIFIED, DIMENSIONAL TOLERANCES ARE: IN (mm)	PANDUIT
.X ± .XX ±	
.XXX ± ANGLES ±	MATERIAL: CABLE MANAGER- ABS COVER- PVC
THIRD ANGLE PROJECTION	DRAWING NUMBER: 10225-25
DRAWN BY JDWE	DATE 3-15-05
CHK TCK	SCALE NONE
SHT 1 OF 2	
A	

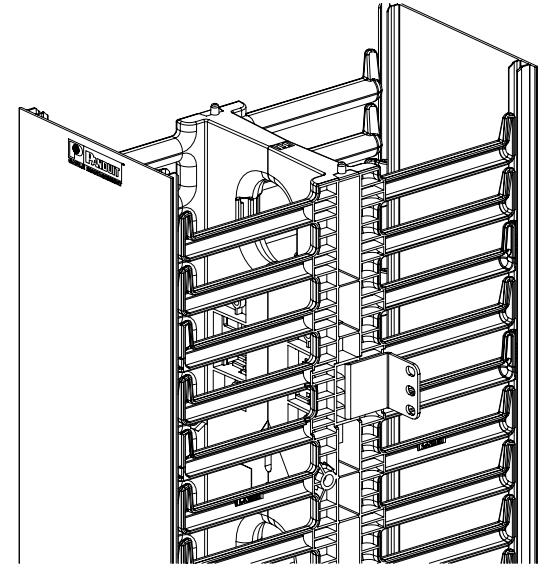
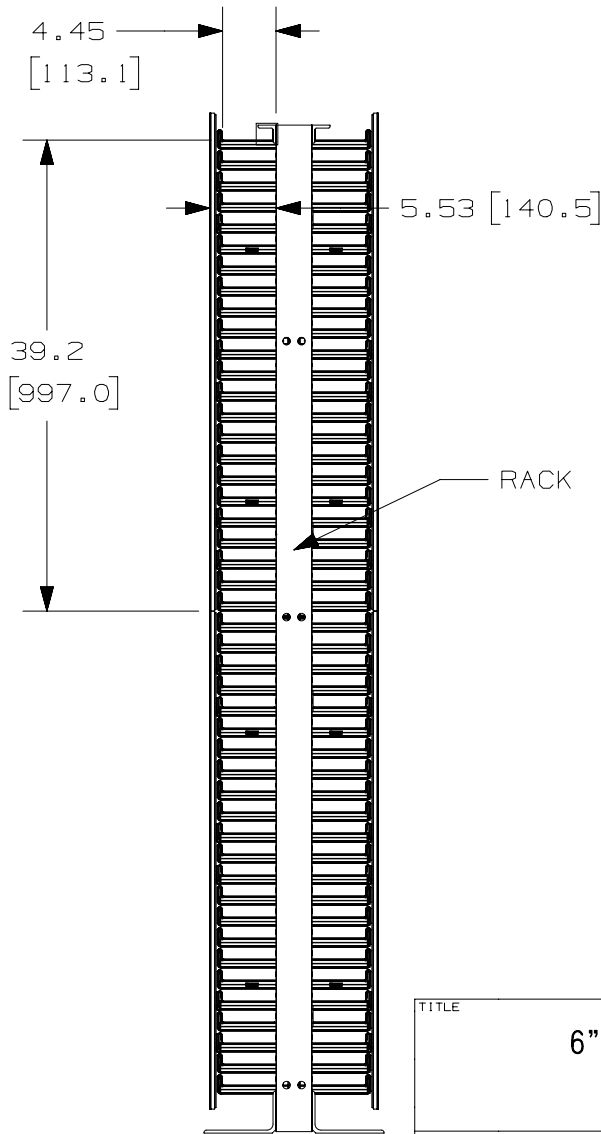
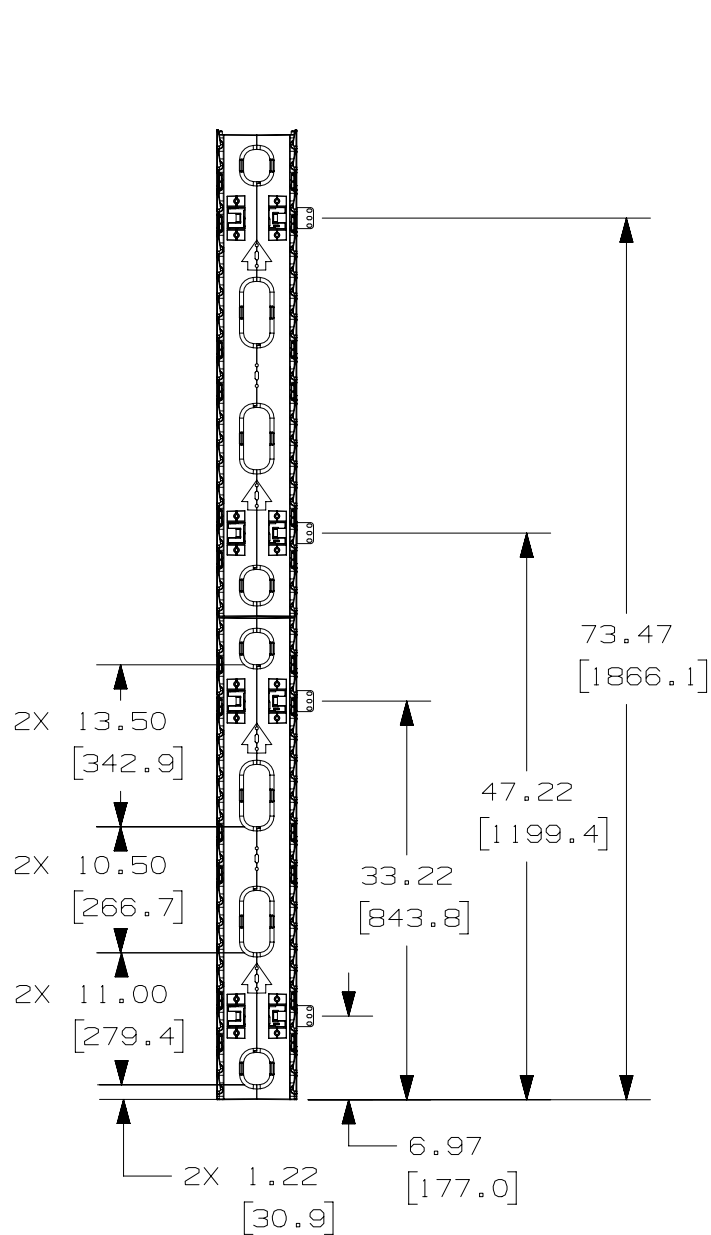
REV	DATE	BY	CHK	APR	DESCRIPTION	ECN
06A	3-30-15	TWV	MACA	KRKE	REMOVED CABLE RETAINERS. REVISED NOTES.	10225-25
05A	6-5-13	BAME	FGR	CMK	REVISED AND REDRAWN; ALL PREVIOUS REVS OMITTED REVISED TITLE BLOCK; UPDATED DIMS ON PAGE 2	10225-25

2

1

D10100DA/15

THIS COPY IS PROVIDED ON A RESTRICTED BASIS AND IS NOT TO BE USED IN ANY WAY DETRIMENTAL TO THE INTERESTS OF PANDUIT CORP.



TITLE		6" WIDE VERTICAL CABLE MANAGER WMPVHC45E	
CUSTOMER DRAWING			
ITEM REVISION NAME	V10225AG/06	PANDUIT	
DATASET FILE NAME	V10225AG_DC/06A		
UNLESS OTHERWISE SPECIFIED, DIMENSIONAL TOLERANCES ARE: IN (mm)		MATERIAL:	
.X ± .XX ±		CABLE MANAGER- ABS COVER- PVC	
.XXX ± ANGLES ±		DRAWING NUMBER:	
THIRD ANGLE PROJECTION		10225-25	
DRAWN BY	DATE	CHK	SCALE
JDWE	3-15-05	TCK	NONE
DESCRIPTION		ECN	SIZE
SEE SHEET 1 OF 2 FOR REVISIONS		10225-25	A
SEE SHEET 1 OF 2 FOR REVISIONS		10225-25	
REV	DATE	BY	CHK
06A	3-30-15	TWV	MACA
05A	6-5-13	BAME	FGR
		APR	CMK

D10100DA/15

2

1

2

1