



Chipsmall Limited consists of a professional team with an average of over 10 year of expertise in the distribution of electronic components. Based in Hongkong, we have already established firm and mutual-benefit business relationships with customers from,Europe,America and south Asia,supplying obsolete and hard-to-find components to meet their specific needs.

With the principle of “Quality Parts,Customers Priority,Honest Operation,and Considerate Service”,our business mainly focus on the distribution of electronic components. Line cards we deal with include Microchip,ALPS,ROHM,Xilinx,Pulse,ON,Everlight and Freescale. Main products comprise IC,Modules,Potentiometer,IC Socket,Relay,Connector.Our parts cover such applications as commercial,industrial, and automotives areas.

We are looking forward to setting up business relationship with you and hope to provide you with the best service and solution. Let us make a better world for our industry!



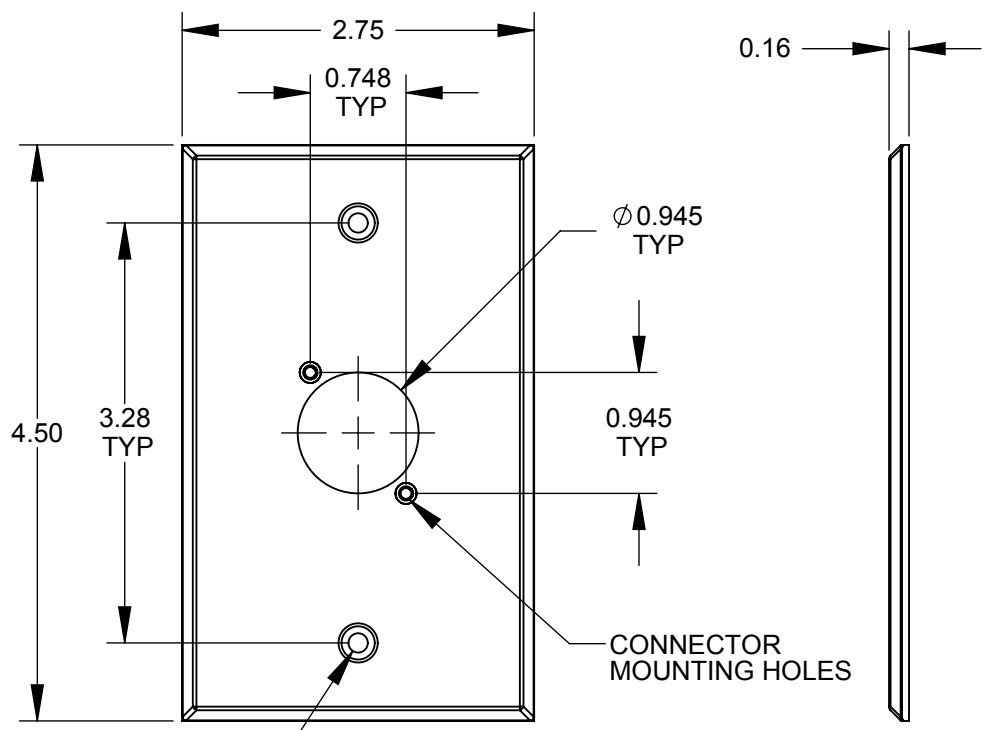
Contact us

Tel: +86-755-8981 8866 Fax: +86-755-8427 6832

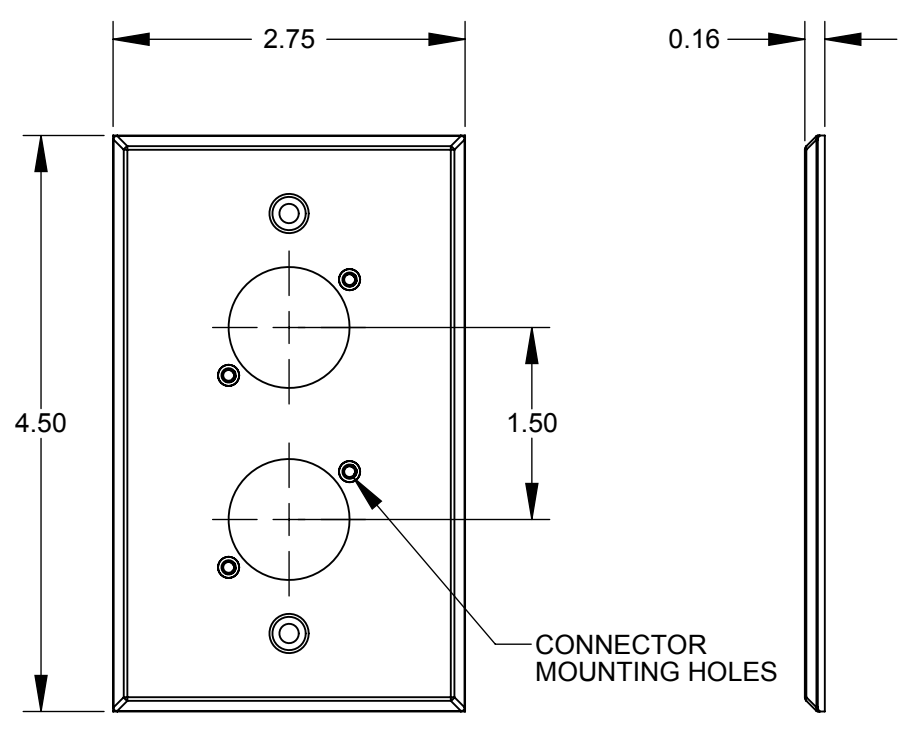
Email & Skype: info@chipsmall.com Web: www.chipsmall.com

Address: A1208, Overseas Decoration Building, #122 Zhenhua RD., Futian, Shenzhen, China

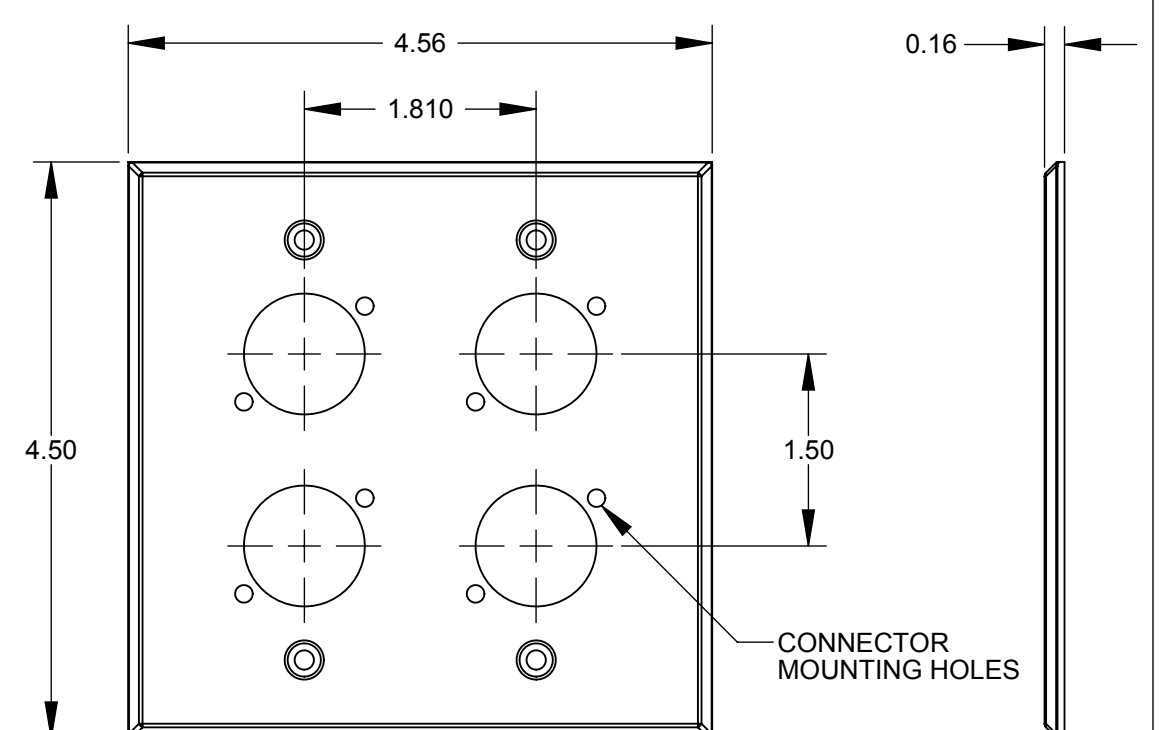




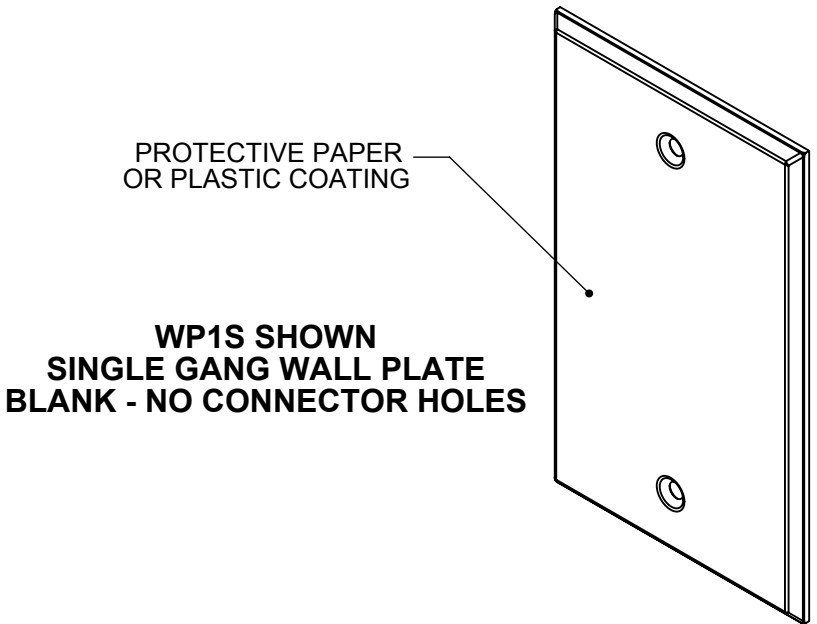
**WP1S1P SHOWN
SINGLE GANG WALL PLATE
1 CONNECTOR HOLE**



**WP1S2P SHOWN
SINGLE GANG WALL PLATE
2 CONNECTOR HOLES**



**WP2S4 SHOWN
DOUBLE GANG WALL PLATE
4 CONNECTOR HOLES**



**WP1S SHOWN
SINGLE GANG WALL PLATE
BLANK - NO CONNECTOR HOLES**

PART NUMBER	GANG SIZE	WALL PLATE MOUNTING SCREWS SEE NOTE 1	FINISH	EH SERIES CONNECTOR HOLES	CONNECTOR MOUNTING HOLE
WP1S	1	2	STAINLESS STEEL	0	NONE
WP1S1	1	2	STAINLESS STEEL	1	Ø0.138
WP1S1P	1	2	STAINLESS STEEL	1	#4-40 THREAD
WP1B1	1	2	BLACK ALUMINUM	1	Ø0.138
WP1B1P	1	2	BLACK ALUMINUM	1	#4-40 THREAD
WP1S2	1	2	STAINLESS STEEL	2	Ø0.138
WP1S2P	1	2	STAINLESS STEEL	2	#4-40 THREAD
WP1B2	1	2	BLACK ALUMINUM	2	Ø0.138
WP1B2P	1	2	BLACK ALUMINUM	2	#4-40 THREAD
WP2S4	2	4	STAINLESS STEEL	4	Ø0.138
WP2S4P	2	4	STAINLESS STEEL	4	#4-40 THREAD
WP2B4	2	4	BLACK ALUMINUM	4	Ø0.138
WP2B4P	2	4	BLACK ALUMINUM	4	#4-40 THREAD

CUSTOMER DRAWING

- NOTES:**
- WALL PLATES COME WITH STAINLESS STEEL MOUNTING SCREWS. TWO SCREWS FOR 1 GANG. FOUR SCREWS FOR 2 GANG.
FOR STAINLESS STEEL PLATES: #6-32 SLOTTED OVAL HEAD SCREW.
FOR BLACK ALUMINUM PLATES: #6-32 CROSS RECESSED OVAL HEAD SCREW.
 - THIS PRODUCT IS RoHS COMPLIANT.

REV	ECO NUMBER	DATE	BY	APVD
A	26590	8/3/10	TJK	TJK
REVISIONS				

UNLESS OTHERWISE SPECIFIED

1. ALL DIMENSIONS IN INCHES
- TWO PLACE DECIMALS ±0.02
- THREE PLACE DECIMALS ±0.005

DO NOT SCALE DRAWING

THIS DRAWING DESCRIBES A DESIGN CONSIDERED PROPRIETARY IN NATURE, DEVELOPED AND MANUFACTURED BY SWITCHCRAFT INC. AND IS RELEASED ON A CONFIDENTIAL BASIS FOR IDENTIFICATION PURPOSES ONLY.

SIZE	WIDTH	MULT	LBS/M	TEMPER
FINISH			MATERIAL	
SPEC No.			SPEC No.	
FIRST USED ON		SCALE 1:1.5		
DATE DRAWN	BY	CHKD	APVD	
1/18/10	JGK	TJK	JGK	
		12/19/12	12/19/12	
NAME			PART No.	REV
WALL PLATE EH SERIES, RoHS			WP _____	A

Switchcraft®
SHEET 1 OF 1