



Chipsmall Limited consists of a professional team with an average of over 10 year of expertise in the distribution of electronic components. Based in Hongkong, we have already established firm and mutual-benefit business relationships with customers from,Europe,America and south Asia,supplying obsolete and hard-to-find components to meet their specific needs.

With the principle of "Quality Parts,Customers Priority,Honest Operation,and Considerate Service",our business mainly focus on the distribution of electronic components. Line cards we deal with include Microchip,ALPS,ROHM,Xilinx,Pulse,ON,Everlight and Freescale. Main products comprise IC,Modules,Potentiometer,IC Socket,Relay,Connector.Our parts cover such applications as commercial,industrial, and automotives areas.

We are looking forward to setting up business relationship with you and hope to provide you with the best service and solution. Let us make a better world for our industry!



## Contact us

Tel: +86-755-8981 8866 Fax: +86-755-8427 6832

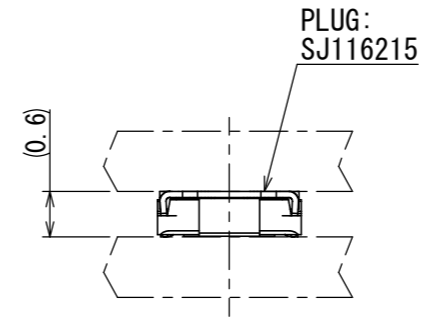
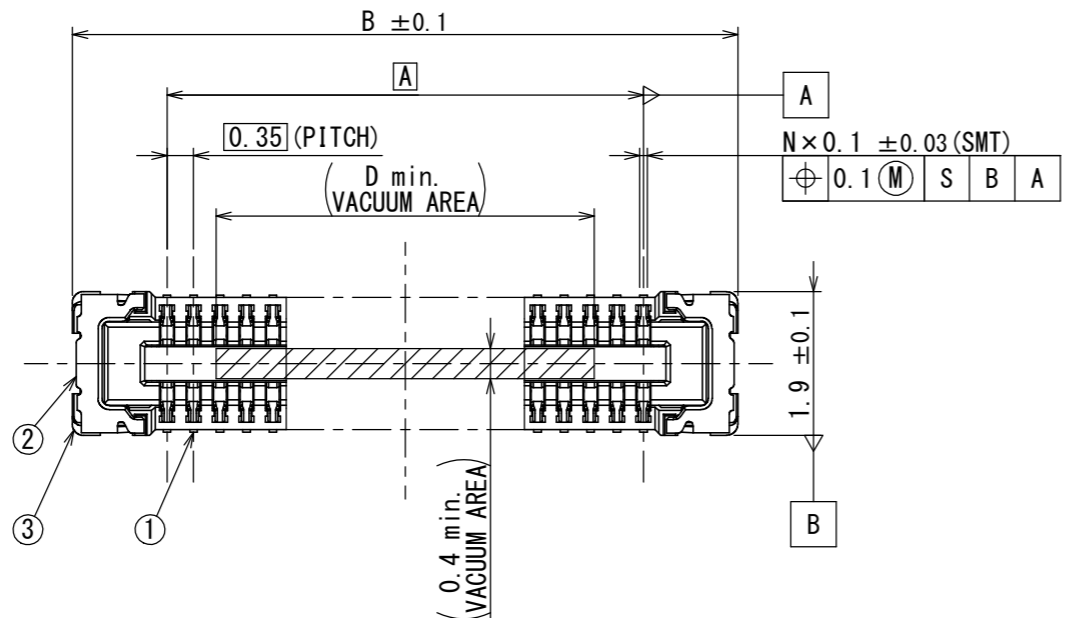
Email & Skype: info@chipsmall.com Web: www.chipsmall.com

Address: A1208, Overseas Decoration Building, #122 Zhenhua RD., Futian, Shenzhen, China



SJ116215  
(ON DRAWING NO.)

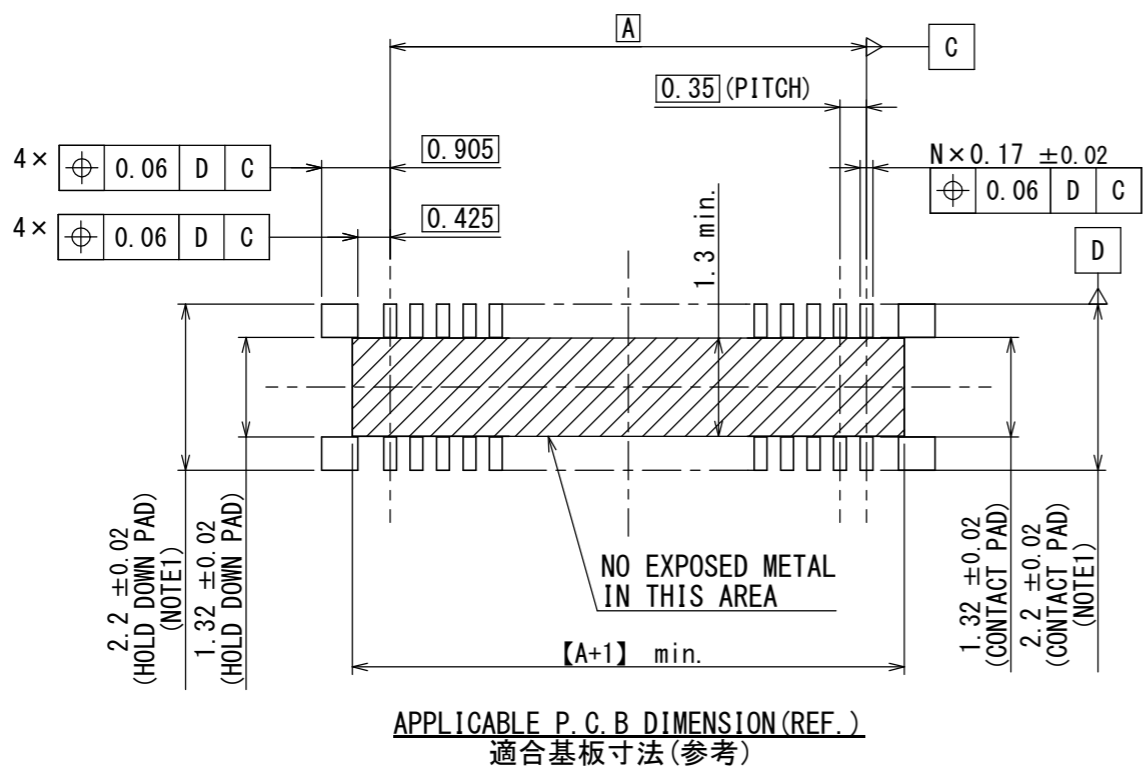
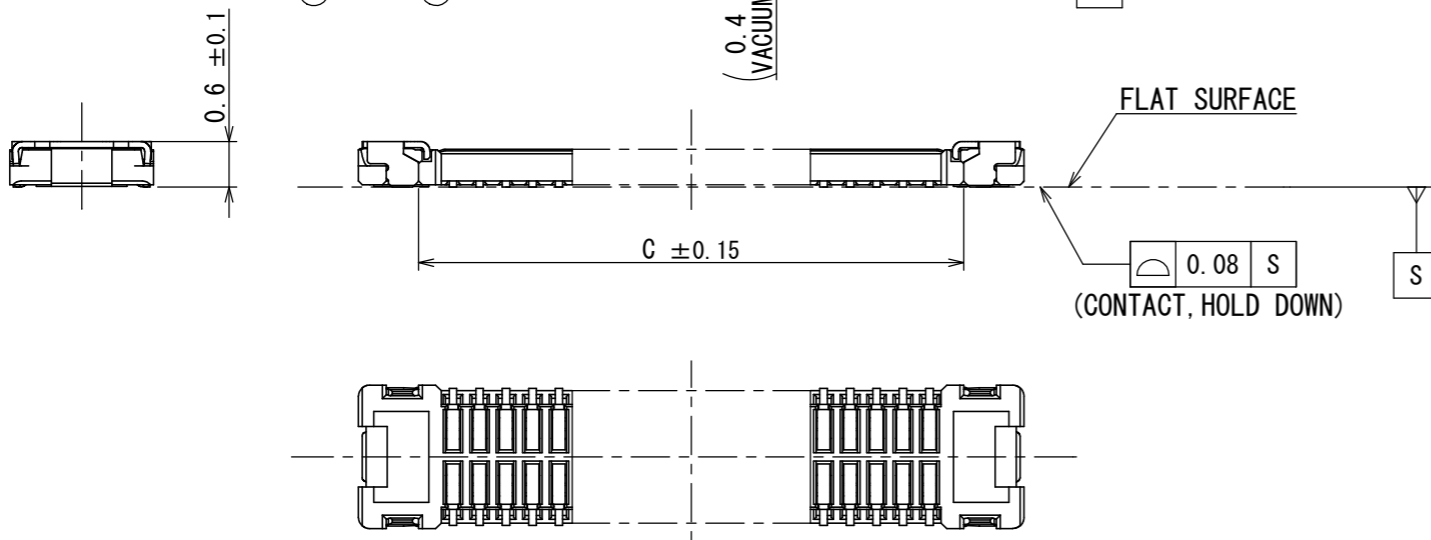
版数 VER.	年月日 DATE	CN NO.	変更内容 DESCRIPTION	製図 DR.	担当 CHK.	査閲 APPD.	承認 APPD.
2	04/SEP/2015	014401	ADDED ITEM AND PLATING SPECIFICATION	—	T. OMODACHI	T. NISHIMURA	H. OBIKANE
3	10/NOV/2015	015038	ADDED ITEM	—	T. OMODACHI	T. NISHIMURA	H. OBIKANE
4	18/MAR/2016	016787	ADDED ITEM	—	T. OMODACHI	T. NISHIMURA	H. OBIKANE



MATED CONDITION (REF.)  
嵌合状態図 (参考)

TABLE 1

NUMBER OF CONTACT	A	B	C	D
△4 10	1.40	3.90	2.31	1.0
△3 24	3.85	6.35	4.76	2.0
△3 34	5.60	8.10	6.51	5.0
△3 40	6.65	9.15	7.56	5.0
△3 42	7.00	9.50	7.91	5.0
△3 54	9.10	11.60	10.01	5.0
△2 60	10.15	12.65	11.06	5.0

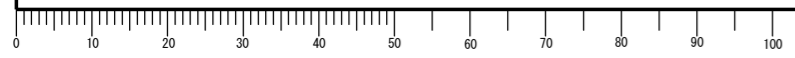


NOTE1. IT SHOULD BE  $2.8 \pm 0.05$  IF REPAIRING IS NEEDED.  
注1. リペアが必要な場合、この寸法は  $2.8 \pm 0.05$  を推奨する。

符号 NO.	名称 DESCRIPTION	個数 QTY.	材料 MATERIAL	仕上 FINISH	備考 REMARKS
3	INSULATOR インシュレータ	1	HEAT RESISTING PLASTICS 耐熱プラスチック	—	—
2	HOLD DOWN ホールドダウン	2	COPPER ALLOY 銅合金	GOLD PLATING OVER NICKEL Ni上Auめっき	△2 TERMINAL AREA: GOLD ( $0.03 \mu\text{m}$ MIN)
1	CONTACT コンタクト	N	COPPER ALLOY 銅合金	GOLD PLATING OVER NICKEL Ni上Auめっき	CONTACT AREA: GOLD ( $0.1 \mu\text{m}$ MIN) TERMINAL AREA: GOLD ( $0.05 \mu\text{m}$ MIN)

仕様書 (SPECIFICATION) JACS-11090	第1版 (ORIGINAL DATE) 06/APR/2015	尺度 (SCALE) 10:1	シリーズ (SERIES) WP26	日本航空電子工業株式会社
一般公差 (GENERAL TOLERANCE) 寸法 (DIMENSION) × ± ×× ± ××× ± ×××× ±	角度 (ANGLES) ×° ± ×°×' ±	製図 DR. —	名称 (TITLE) WP26-S***VA1 (RECEPTACLE CONNECTOR)	JAPAN AVIATION ELECTRONICS INDUSTRY, LTD.
担当 CHK. T. OMODACHI	査閲 APPD. T. NISHIMURA	承認 APPD. H. OBIKANE	質量 (MASS) —	図面番号 (DRAWING NO.) SJ116215
				版数 (VER.) 4

DCF-C-212H(12.08)



WISDOM承認 2016/03/18