



Chipsmall Limited consists of a professional team with an average of over 10 year of expertise in the distribution of electronic components. Based in Hongkong, we have already established firm and mutual-benefit business relationships with customers from,Europe,America and south Asia,supplying obsolete and hard-to-find components to meet their specific needs.

With the principle of “Quality Parts,Customers Priority,Honest Operation,and Considerate Service”,our business mainly focus on the distribution of electronic components. Line cards we deal with include Microchip,ALPS,ROHM,Xilinx,Pulse,ON,Everlight and Freescale. Main products comprise IC,Modules,Potentiometer,IC Socket,Relay,Connector.Our parts cover such applications as commercial,industrial, and automotives areas.

We are looking forward to setting up business relationship with you and hope to provide you with the best service and solution. Let us make a better world for our industry!



Contact us

Tel: +86-755-8981 8866 Fax: +86-755-8427 6832

Email & Skype: info@chipsmall.com Web: www.chipsmall.com

Address: A1208, Overseas Decoration Building, #122 Zhenhua RD., Futian, Shenzhen, China



SSS111555
('ON ΘNIMVHD) 台機理図

版数 VER.	年月日 DATE	CN NO.	変更内容 DESCRIPTION	製図 DR.	担当 CHK.	査閲 APPD.	承認 APPD.
2	25.Oct.2012	004125	REVISED PATTERN DIMENSION		H.MATSUZAKI	T.NISHIMURA	H.OBIKANE

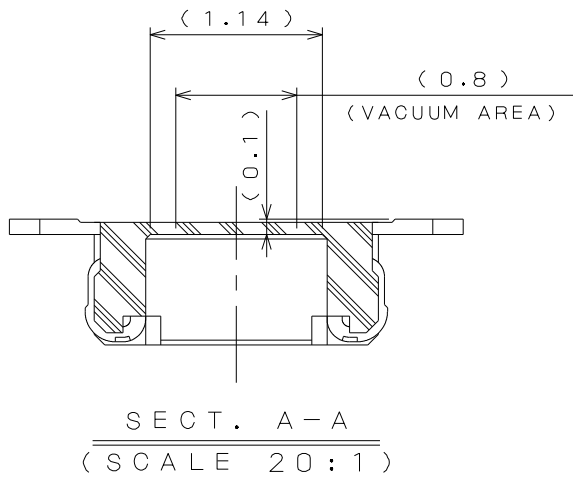
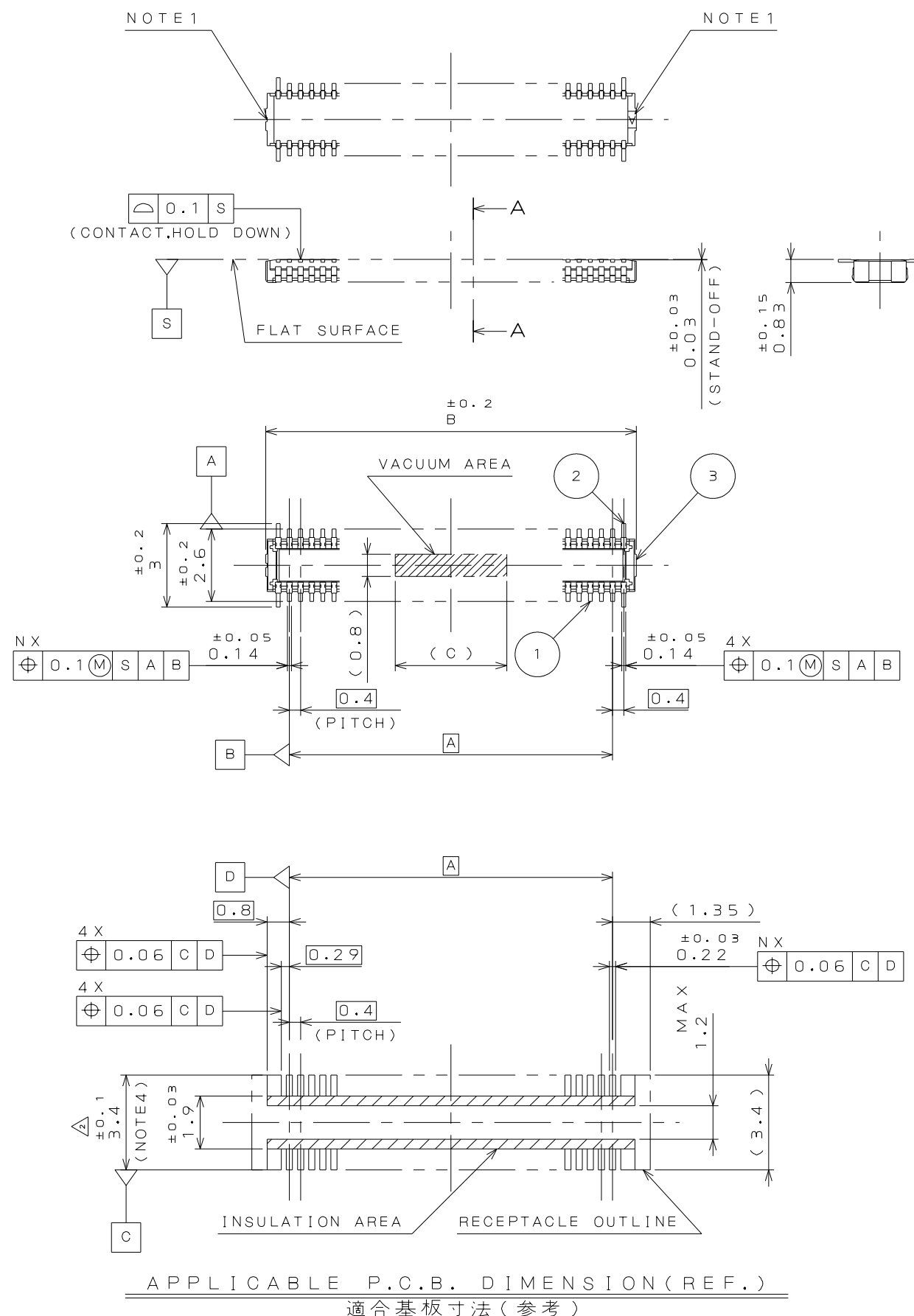


TABLE 1

名称 (TITLE)	A	B	C
WP3-P016VA1	2.8	4.5	2.0
WP3-P020VA1	3.6	5.3	2.0
WP3-P022VA1	4.0	5.7	2.0
WP3-P024VA1	4.4	6.1	2.0
WP3-P030VA1	5.6	7.3	2.0
WP3-P036VA1	6.8	8.5	2.0
WP3-P040VA1	7.6	9.3	2.0
WP3-P042VA1	8.0	9.7	2.0
WP3-P050VA1	9.6	11.3	2.0
WP3-P064VA1	12.4	14.1	4.0
WP3-P070VA1	13.6	15.3	4.0
WP3-P080VA1	15.6	17.3	4.0

DESIGNATION

命名法

WP3-P***VA1

SERIES
シリーズ

CONNECTOR FORM P: PLUG
コネクタ形状 P: プラグ

NUMBER OF CONTACTS
芯数

MODIFY CODE
モディファイコード

CONTACT FINISH A: GOLD PLATING (0.1 μm MIN)
コンタクト仕上げ A: 金 0.1 μm 以上

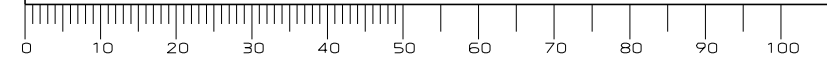
V: SMT, STRAIGHT TYPE, WITH HOLD DOWN
V: SMT, ストレートタイプ, ホールドダウン有り

- NOTE 1. CAVITY MARK IS MARKED.
2. APPEARANCE FORM CHANGES WITH ITEM.
3. THE DRAWING SJ111596 SHOWS THE VIA-HOLE ARRANGEMENT LOCATED INSIDE OF THE CONNECTOR FOR REFERENCE.
4. RECOMMEND SIZE IS 3.6 ± 0.1 IN CASE OF REPAIRING.

- 注 1. キャビティマークを表示する。
2. 外観形状は芯数により異なる。
3. 参考として、コネクタの内側にビアを構成する場合の例を SJ111596 に示す。
4. リペアーを考慮する場合、3.6 ± 0.1 を推奨寸法とする。

3	INSULATOR インシュレータ	1	HEAT RESISTING PLASTICS 耐熱プラスチック		UL94V-0 COLOR: BLACK 色相: 黒
2	HOLD-DOWN ホルドダウン	4	COPPER ALLOY 銅合金	GOLD PLATING OVER NICKEL	CONTACT AREA: GOLD (0.1 μm MIN) TERMINAL AREA: GOLD (0.05 μm MIN)
1	CONTACT コンタクト	N	COPPER ALLOY 銅合金	GOLD PLATING OVER NICKEL	CONTACT AREA: GOLD (0.1 μm MIN) TERMINAL AREA: GOLD (0.05 μm MIN)
符号 NO.	名称 DESCRIPTION	個数 QTY.	材料 MATERIAL	仕上 FINISH	備考 REMARKS
仕様書 (SPECIFICATION) JACS-10780		第1版 (ORIGINAL DATE) 7.May.2011		尺度 (SCALE) 5:1	シリーズ (SERIES) WP3
一般公差 (GENERAL TOLERANCE)		製図 DR.		名称 (TITLE) WP3 -P***VA1	
寸法 (DIMENSION)		担当 CHK.	Y.HONMA	PLUG	
角度 (ANGLES)		査閲 APPD.	H.OBIKANE	質量 (MASS)	
単位 (UNIT): mm		承認 APPD.	Y.YAHIRO	図面番号 (DRAWING NO.) SJ111555	
JAE CONNECTOR DIV. PROPRIETARY. COPYRIGHT (C) 2011. JAPAN AVIATION ELECTRONICS INDUSTRY, LTD.					版数 (VER.) 2

DCF-C-212H(12.08)



WISDOM承認 2012/10/25

SIZE A3