



Chipsmall Limited consists of a professional team with an average of over 10 year of expertise in the distribution of electronic components. Based in Hongkong, we have already established firm and mutual-benefit business relationships with customers from,Europe,America and south Asia,supplying obsolete and hard-to-find components to meet their specific needs.

With the principle of “Quality Parts,Customers Priority,Honest Operation,and Considerate Service”,our business mainly focus on the distribution of electronic components. Line cards we deal with include Microchip,ALPS,ROHM,Xilinx,Pulse,ON,Everlight and Freescale. Main products comprise IC,Modules,Potentiometer,IC Socket,Relay,Connector.Our parts cover such applications as commercial,industrial, and automotives areas.

We are looking forward to setting up business relationship with you and hope to provide you with the best service and solution. Let us make a better world for our industry!



Contact us

Tel: +86-755-8981 8866 Fax: +86-755-8427 6832

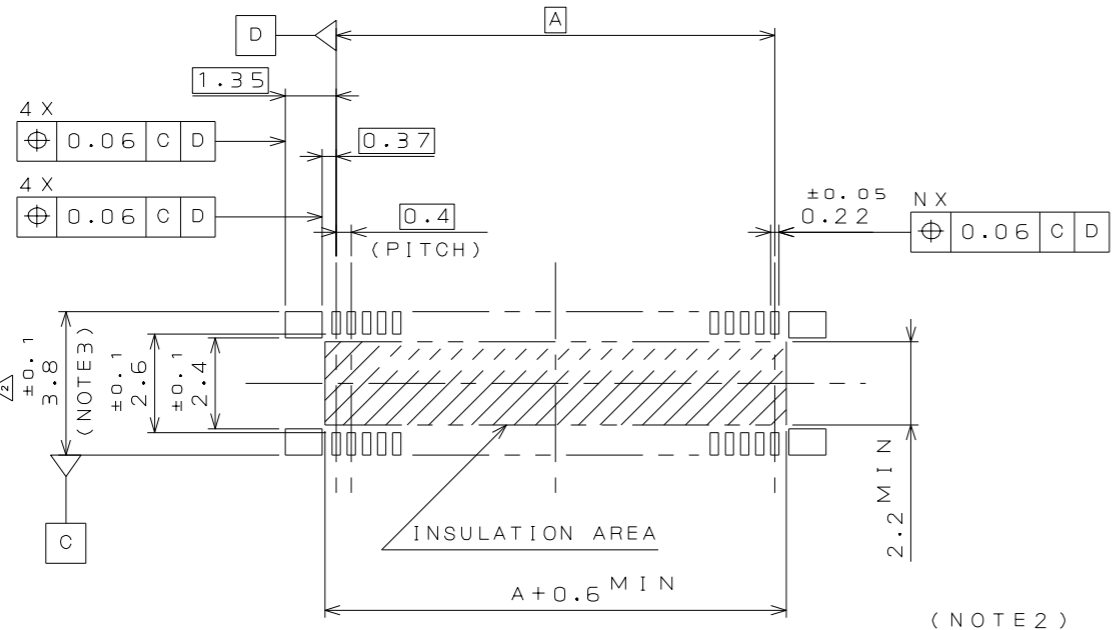
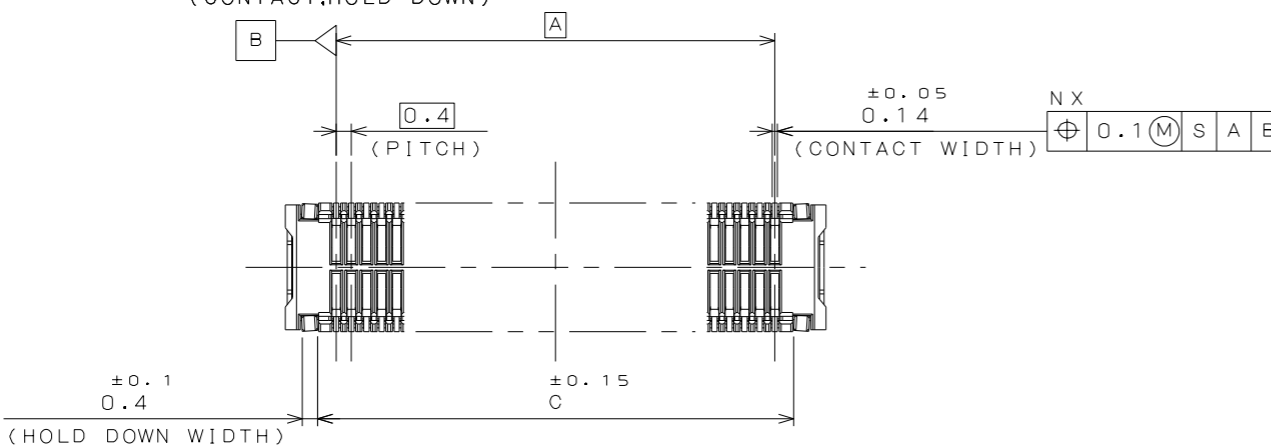
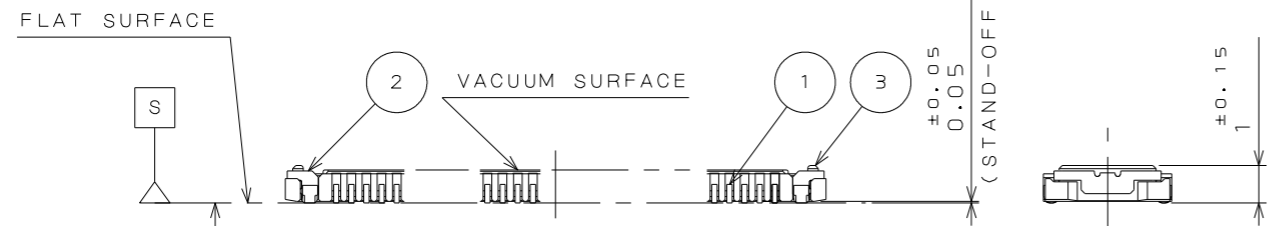
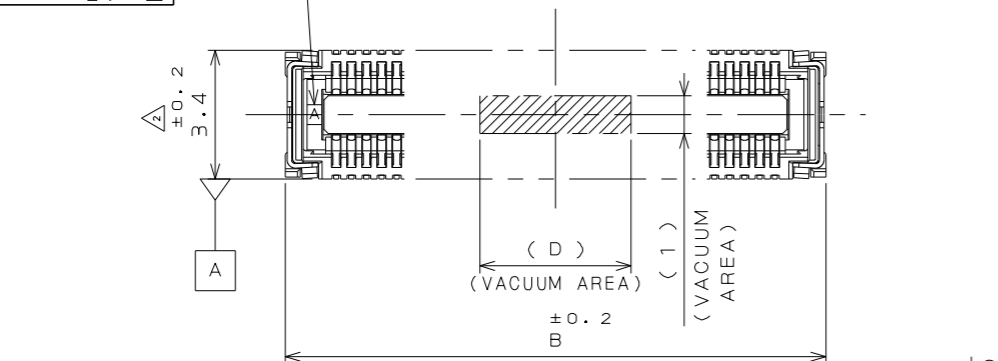
Email & Skype: info@chipsmall.com Web: www.chipsmall.com

Address: A1208, Overseas Decoration Building, #122 Zhenhua RD., Futian, Shenzhen, China



LS111557
(ON THINWARE) 仕様図

NOTE 1

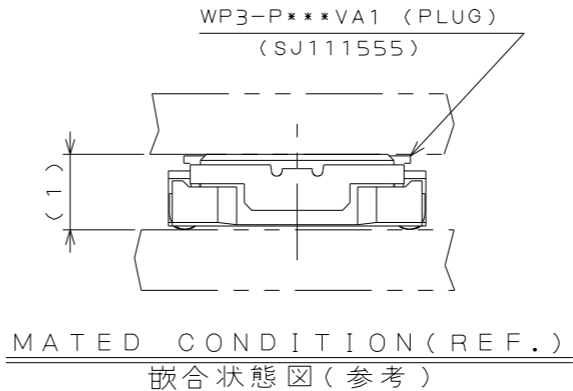


APPLICABLE P.C.B. DIMENSION (REF.)
適合基板寸法 (参考)

版数 VER.	年月日 DATE	CN NO.	変更内容 DESCRIPTION	製図 DR.	担当 CHK.	査閲 APPD.	承認 APPD.
2	25.Oct.2012	004125	REVISED PATTERN DIMENSION		H.MATSUZAKI	T.NISHIMURA	H.OBIKANE

TABLE 1

名称 (TITLE)	A	B	C	D
WP3-S016VA1	2.8	5.5	3.8	2.0
WP3-S020VA1	3.6	6.3	4.6	2.0
WP3-S022VA1	4.0	6.7	5.0	2.0
WP3-S024VA1	4.4	7.1	5.4	2.0
WP3-S030VA1	5.6	8.3	6.6	2.0
WP3-S036VA1	6.8	9.5	7.8	2.0
WP3-S040VA1	7.6	10.3	8.6	2.0
WP3-S042VA1	8.0	10.7	9.0	2.0
WP3-S050VA1	9.6	12.3	10.6	2.0
WP3-S064VA1	12.4	15.1	13.4	4.0
WP3-S070VA1	13.6	16.3	14.6	4.0
WP3-S080VA1	15.6	18.3	16.6	4.0



DESIGNATION

命名法
 WP3-S***VA1
 SERIES シリーズ
 CONNECTOR FORM S: RECEPTACLE
 コネクタ形状 S: レセプタクル
 NUMBER OF CONTACTS 芯数
 MODIFY CODE
 モディファイコード
 CONTACT FINISH A: GOLD PLATING (0.1μm MIN)
 コネクタ仕上げ A: 金0.1μm以上
 V: SMT, STRAIGHT TYPE, WITH HOLD DOWN
 V: SMT, ストレートタイプ, ホールドダウン有り

- NOTE 1. CAVITY MARK IS MARKED.
 2. THE DRAWING SJ111597 SHOWS THE VIA-HOLE ARRANGEMENT LOCATED INSIDE OF THE CONNECTOR FOR REFERENCE.
 3. RECOMMEND SIZE IS 4.4±0.1 IN CASE OF REPAIRING.
 1. キャビティマークを表示する。
 2. 参考として、コネクタの内側にビアを構成する場合の例をSJ111597に示す。
 3. リペアーを考慮する場合、4.4±0.1を推奨寸法とする。

3	INSULATOR インシュレータ	1	HEAT RESISTING PLASTICS 耐熱プラスチック	UL94V-0 COLOR: BLACK 色相: 黒
2	HOLD-DOWN ホルドダウン	2	COPPER ALLOY 銅合金	TIN PLATING Snめっき
1	CONTACT コンタクト	N	COPPER ALLOY 銅合金	CONTACT AREA: GOLD (0.1μm MIN) TERMINAL AREA: GOLD (0.05μm MIN)
符号 NO.	名称 DESCRIPTION	個数 QTY.	材料 MATERIAL	仕上 FINISH
仕様書 (SPECIFICATION) JACS-10780		第1版 (ORIGINAL DATE) 7.May.2011	尺度 (SCALE) 5:1	シリーズ (SERIES) WP3
一般公差 (GENERAL TOLERANCE)		製図 DR.	名称 (TITLE) WP3	日本航空電子工業株式会社 JAPAN AVIATION ELECTRONICS INDUSTRY, LTD.
寸法 (DIMENSION)	角度 (ANGLES)	担当 CHK. Y.HONMA	名称 (TITLE) RECEPTACLE	
・ ± ・ × ± ・ × × ± ・ × × × ±	×° ± ×° × ±	査閲 APPD. H.OBIKANE	質量 (MASS)	
	単位 (UNIT): mm	承認 APPD. Y.YAHIRO		図面番号 (DRAWING NO.) SJ111557
				版数 (VER.) 2

DCF-C-212H(12.08)

WISDOM承認 2012/10/25