



Chipsmall Limited consists of a professional team with an average of over 10 year of expertise in the distribution of electronic components. Based in Hongkong, we have already established firm and mutual-benefit business relationships with customers from,Europe,America and south Asia,supplying obsolete and hard-to-find components to meet their specific needs.

With the principle of “Quality Parts,Customers Priority,Honest Operation,and Considerate Service”,our business mainly focus on the distribution of electronic components. Line cards we deal with include Microchip,ALPS,ROHM,Xilinx,Pulse,ON,Everlight and Freescale. Main products comprise IC,Modules,Potentiometer,IC Socket,Relay,Connector.Our parts cover such applications as commercial,industrial, and automotives areas.

We are looking forward to setting up business relationship with you and hope to provide you with the best service and solution. Let us make a better world for our industry!



Contact us

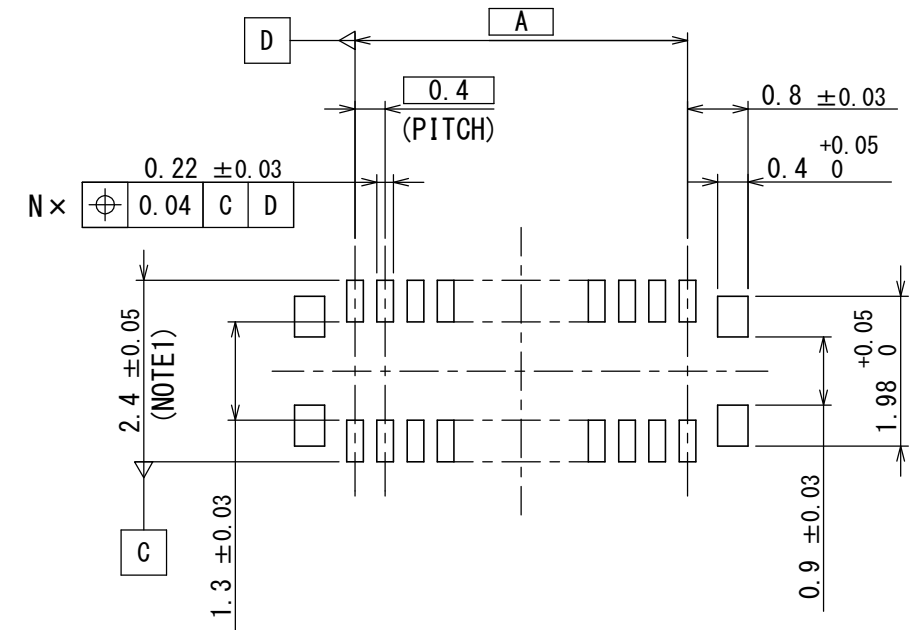
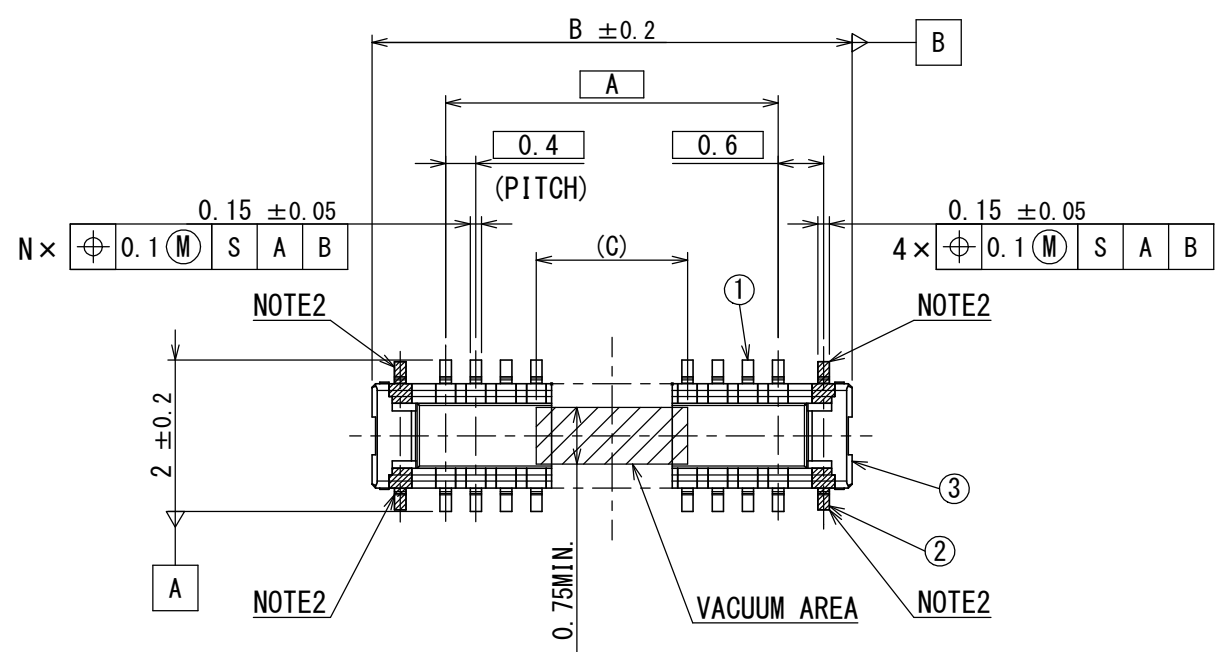
Tel: +86-755-8981 8866 Fax: +86-755-8427 6832

Email & Skype: info@chipsmall.com Web: www.chipsmall.com

Address: A1208, Overseas Decoration Building, #122 Zhenhua RD., Futian, Shenzhen, China

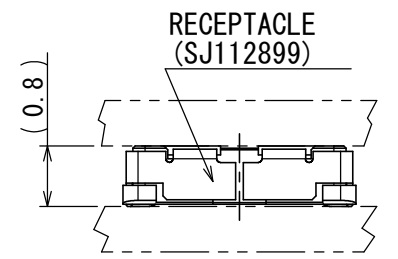
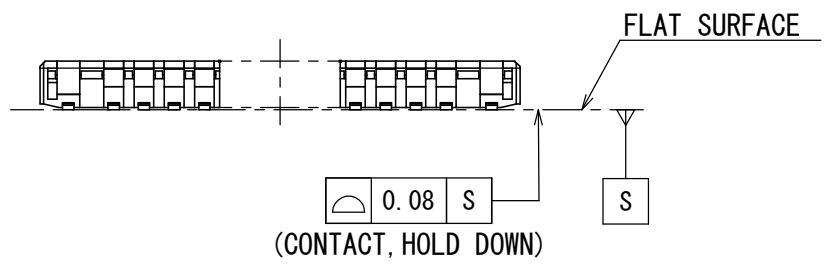
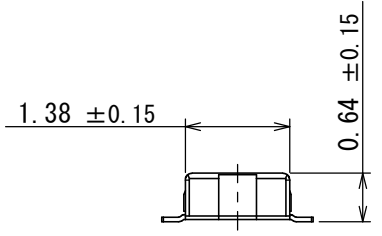


版数 VER.	年月日 DATE	CN NO.	変更内容 DESCRIPTION	製図 DR.	担当 CHK.	査閲 APPD.	承認 APPD.
2	09/MAY/2013	006196	CHANGE OF SPECIFICATION NO.	H. MATSUZAKI	Y. TAKENAGA	T. NISHIMURA	H. OBIKANE



APPLICABLE P.C.B. DIMENSION (REF.)
適合基板寸法 (参考)

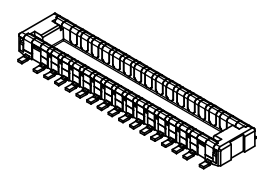
NOTE 1. IT SHOULD BE 3.0 ± 0.05 IF REPAIRING IS NEEDED.
NOTE 2. THIS PARTS IS GROUND CONTACT.
注1. リペアーが必要な場合、この寸法は 3.0 ± 0.05 を推奨する。
注2. 本部品はグランドコンタクトである。



MATED CONDITION (REF.)
嵌合状態図 (参考)

TABLE 1

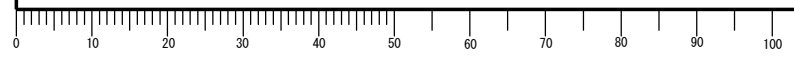
N (PIN)	A	B	C
24	4.4	6.35	2.0
30	5.6	7.55	2.0



Isometric View (REF.)
斜視図 (参考)

3	INSULATOR インシュレータ	1	HEAT RESISTING PLASTICS 耐熱プラスチック	—	—
2	GROUND CONTACT グランドコンタクト	4	COPPER ALLOY 銅合金	GOLD FLASH OVER NICKEL Ni上Auフラッシュ	—
1	CONTACT コンタクト	N	COPPER ALLOY 銅合金	GOLD PLATING OVER NICKEL Ni上Auめっき	CONTACT AREA: GOLD (0.1 μmMIN) TERMINAL AREA: GOLD (0.05 μmMIN)
符号 NO.	名称 DESCRIPTION	個数 QTY.	材料 MATERIAL	仕上 FINISH	備考 REMARKS
仕様書 (SPECIFICATION) JACS-10987		第1版 (ORIGINAL DATE) 26/MAR/2013		尺度 (SCALE) 10:1	シリーズ (SERIES) WP6C
一般公差 (GENERAL TOLERANCE)		製図 DR. H. MATSUZAKI		名称 (TITLE) WP6C-P***VA1	
寸法 (DIMENSION)		担当 CHK. Y. TAKENAGA		日本航空電子工業株式会社	
角度 (ANGLES)		査閲 APPD. T. NISHIMURA		JAE JAPAN AVIATION ELECTRONICS INDUSTRY, LTD.	
単位 (UNIT) : mm		承認 APPD. H. OBIKANE		図面番号 (DRAWING NO.) SJ112899	
				質量 (MASS)	版数 (VER.) 2

DCF-C-212H(12.08)



WISDOM承認 2013/05/13