



Chipsmall Limited consists of a professional team with an average of over 10 year of expertise in the distribution of electronic components. Based in Hongkong, we have already established firm and mutual-benefit business relationships with customers from,Europe,America and south Asia,supplying obsolete and hard-to-find components to meet their specific needs.

With the principle of “Quality Parts,Customers Priority,Honest Operation,and Considerate Service”,our business mainly focus on the distribution of electronic components. Line cards we deal with include Microchip,ALPS,ROHM,Xilinx,Pulse,ON,Everlight and Freescale. Main products comprise IC,Modules,Potentiometer,IC Socket,Relay,Connector.Our parts cover such applications as commercial,industrial, and automotives areas.

We are looking forward to setting up business relationship with you and hope to provide you with the best service and solution. Let us make a better world for our industry!



## Contact us

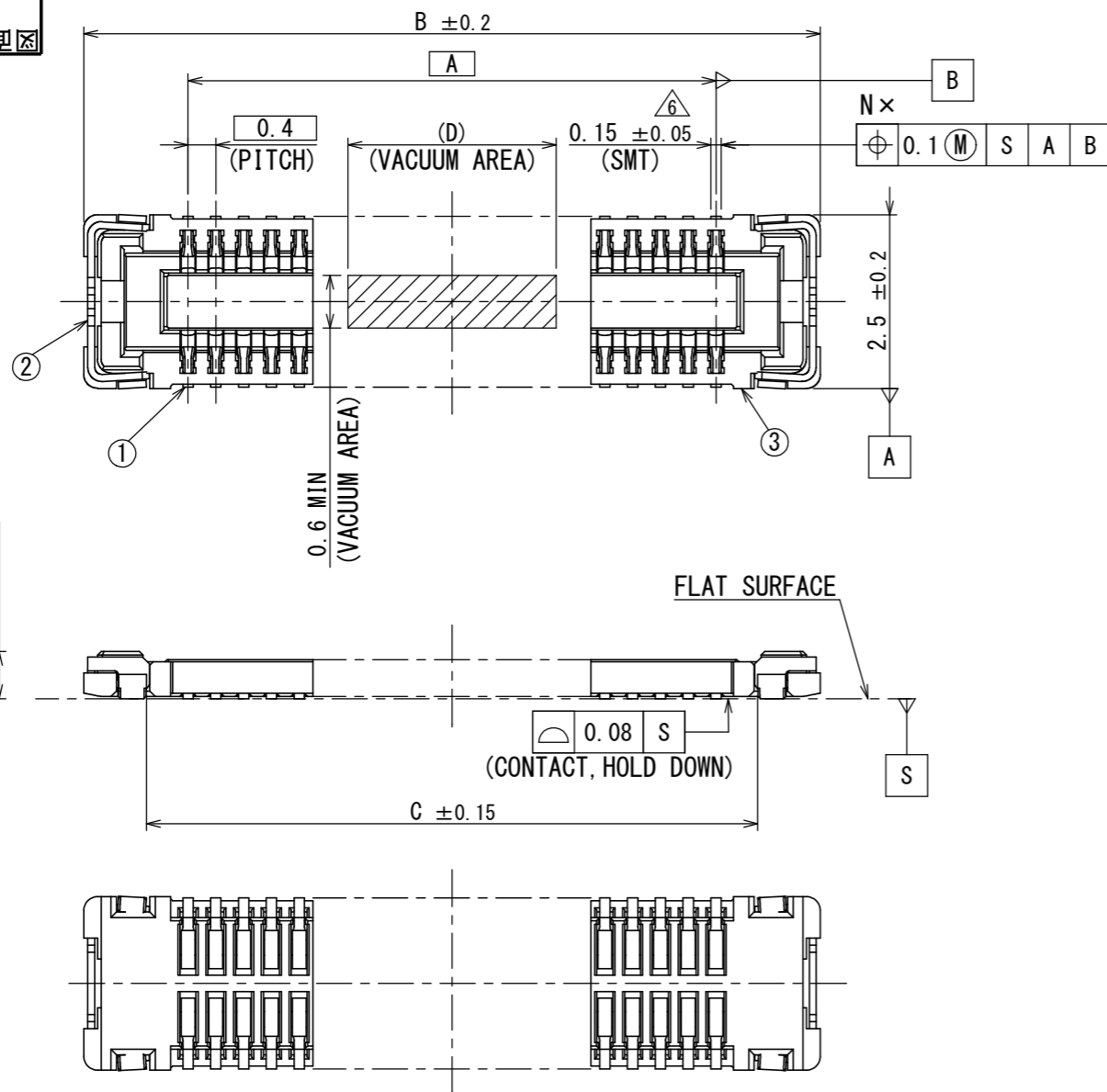
Tel: +86-755-8981 8866 Fax: +86-755-8427 6832

Email & Skype: info@chipsmall.com Web: www.chipsmall.com

Address: A1208, Overseas Decoration Building, #122 Zhenhua RD., Futian, Shenzhen, China



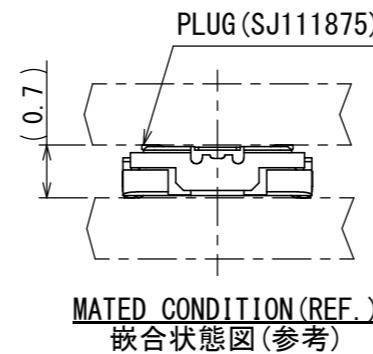
SJ111875  
(ON DRAWING) (台異図)



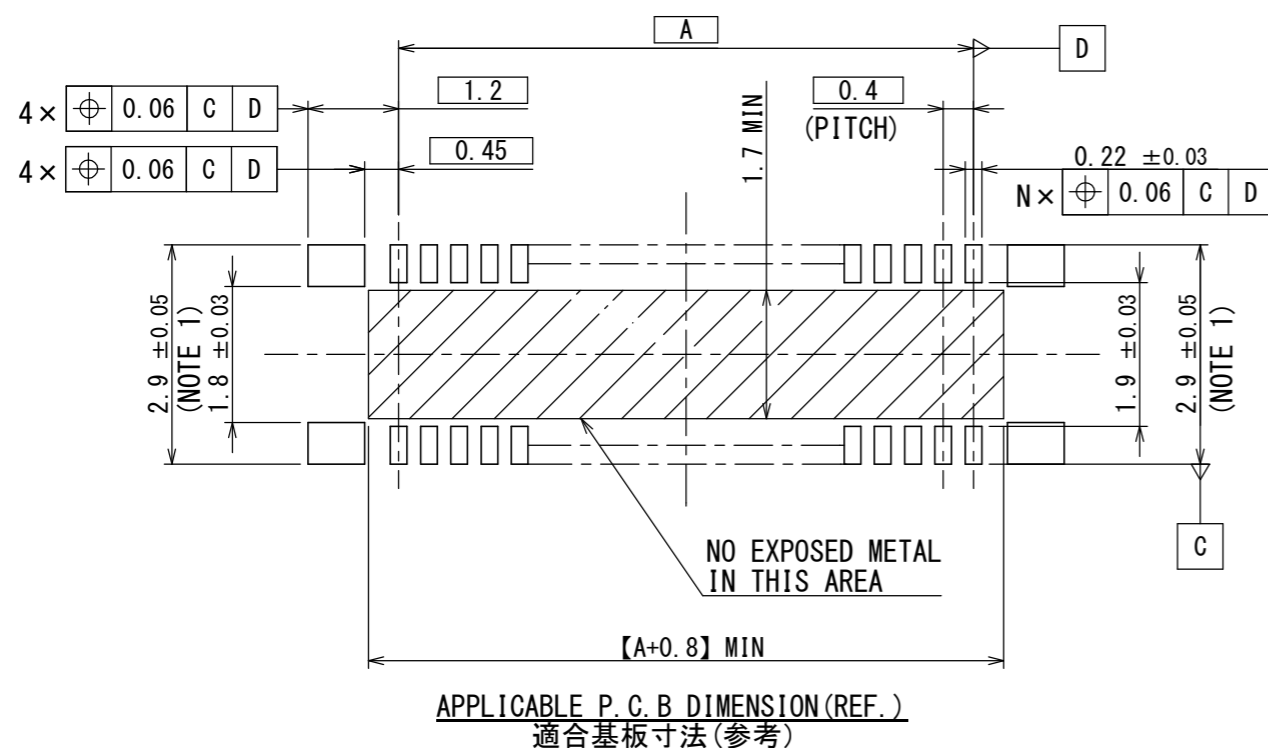
版数 VER.	年月日 DATE	CN NO.	変更内容 DESCRIPTION	製図 DR.	担当 CHK.	査閲 APPD.	承認 APPD.
2	28/FEB/2012	001773	ADDED ITEM.	—	T. KOBUCHI	T. NISHIMURA	H. OBIKANE
3	02/NOV/2012	004406	ADDED ITEM.	—	H. MATSUZAKI	T. NISHIMURA	H. OBIKANE
4	28/FEB/2013	005530	ADDED ITEM.	—	H. MATSUZAKI	T. NISHIMURA	H. OBIKANE
5	29/MAR/2013	005869	ADDED ITEM.	—	H. MATSUZAKI	T. NISHIMURA	H. OBIKANE
6	03/APR/2013	005908	CORRECT AN ERROR	—	H. MATSUZAKI	T. NISHIMURA	H. OBIKANE

TABLE 1

DIMENSIONS 寸法	NUMBER OF CONTACT 芯数			
	A	B	C	D
10	1.6	4.6	2.8	2.0
16	2.8	5.8	4.0	2.0
20	3.6	6.6	4.8	2.0
22	4.0	7.0	5.2	2.0
24	4.4	7.4	5.6	2.0
26	4.8	7.8	6.0	5.0
28	5.2	8.2	6.4	5.0
30	5.6	8.6	6.8	5.0
32	6.0	9.0	7.2	5.0



NOTE 1. IT SHOULD BE 3.5 ± 0.05 IF REPAIRING IS NEEDED.  
注 1. リペアーが必要な場合、この寸法は3.5 ± 0.05を推奨する。



3	INSULATOR インシュレータ	1	HEAT RESISTING PLASTICS 耐熱プラスチック	—	—
2	HOLD DOWN ホールドダウン	2	COPPER ALLOY 銅合金	TIN PLATING Snめっき	—
1	CONTACT コンタクト	N	COPPER ALLOY 銅合金	GOLD PLATING OVER NICKEL Ni上Auめっき	CONTACT AREA : GOLD (0.1 μm MIN) TERMINAL AREA : GOLD (0.05 μm MIN)
符号 NO.	名称 DESCRIPTION	個数 QTY.	材料 MATERIAL	仕上 FINISH	備考 REMARKS
仕様書 (SPECIFICATION) JACS-10814		第1版 (ORIGINAL DATE) 16/JUN/2011		尺度 (SCALE) 10:1	シリーズ (SERIES) WP7A
一般公差 (GENERAL TOLERANCE)		製図 DR.		名称 (TITLE) WP7A-S***VA1	
寸法 (DIMENSION)		担当 CHK. H. MATSUZAKI		日本航空電子工業株式会社	
角度 (ANGLES)		査閲 APPD. T. NISHIMURA		JAE JAPAN AVIATION ELECTRONICS INDUSTRY, LTD.	
× ± ×× ± ××× ±		承認 APPD. H. OBIKANE		図面番号 (DRAWING NO.) SJ111877	
単位 (UNIT) : mm		質量 (MASS)		版数 (VER.) 6	

DCF-C-212H(12.08)



WISDOM承認 2013/04/03