



Chipsmall Limited consists of a professional team with an average of over 10 year of expertise in the distribution of electronic components. Based in Hongkong, we have already established firm and mutual-benefit business relationships with customers from,Europe,America and south Asia,supplying obsolete and hard-to-find components to meet their specific needs.

With the principle of "Quality Parts,Customers Priority,Honest Operation,and Considerate Service",our business mainly focus on the distribution of electronic components. Line cards we deal with include Microchip,ALPS,ROHM,Xilinx,Pulse,ON,Everlight and Freescale. Main products comprise IC,Modules,Potentiometer,IC Socket,Relay,Connector.Our parts cover such applications as commercial,industrial, and automotives areas.

We are looking forward to setting up business relationship with you and hope to provide you with the best service and solution. Let us make a better world for our industry!



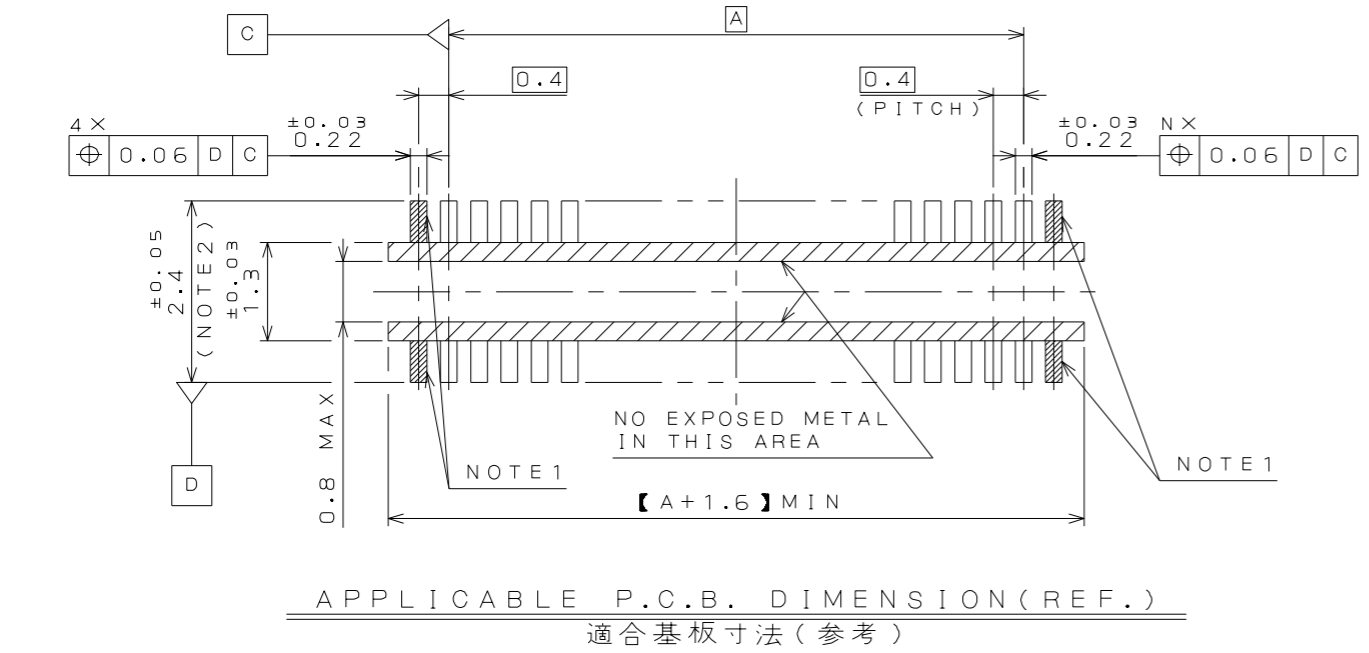
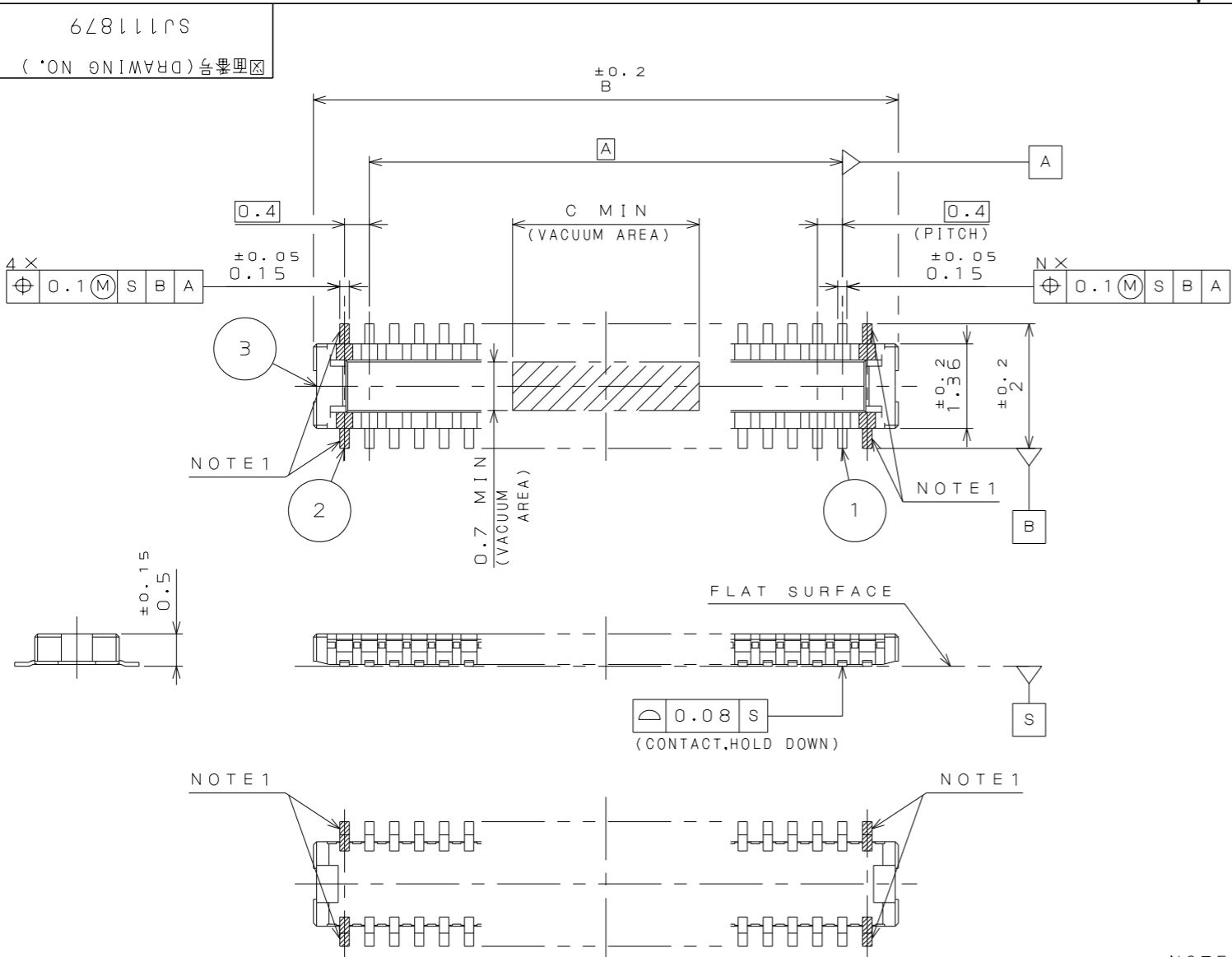
Contact us

Tel: +86-755-8981 8866 Fax: +86-755-8427 6832

Email & Skype: info@chipsmall.com Web: www.chipsmall.com

Address: A1208, Overseas Decoration Building, #122 Zhenhua RD., Futian, Shenzhen, China

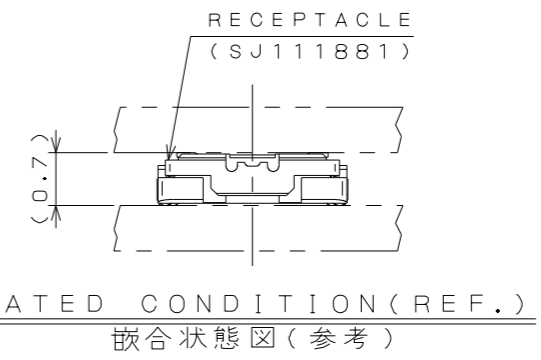




版数 VER.	年月日 DATE	CN NO.	変更内容 DESCRIPTION	製図 DR.	担当 CHK.	査閲 APPD.	承認 APPD.
2	22.Mar.2012	002137	REVISED PLATING INDICATION.	E.MURANO	H.MATSUZAKI	T.NISHIMURA	H.OBIKANE
3	15.Mar.2013	005713	ADDED ITEM.		H.MATSUZAKI	T.NISHIMURA	H.OBIKANE

TABLE 1

NUMBER OF CONTACTS 芯数	A	B	C
34	6.4	8.2	5.0
40	7.6	9.4	5.0
50	9.6	11.4	5.0
60	11.6	13.4	5.0
70	13.6	15.4	5.0

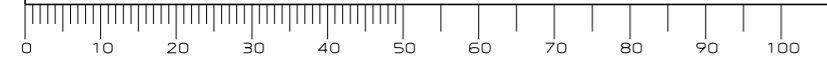


NOTE 1. MECHANICAL HOLD DOWNS IN FOUR CORNERS. (NOT FOR ELECTRICAL CONNECTION).
X PIN CONNECTOR HAS X+4 PIN CONTACTS. e.g. 40 PIN CONNECTOR HAS 44 PIN.
NOTE 2. IT SHOULD BE $3^{±0.05}$ IF REPAIRING IS NEEDED.

注 1. 四隅はホルドダウンである。(電気的接続不可)
例: 40(N)芯のコネクタは、44(N+4)芯分のSMT端子を保有する。
注 2. リペアーが必要な場合、この寸法は $3^{±0.05}$ を推奨する。

3	INSULATOR インシュレータ	1	HEAT RESISTING PLASTICS 耐熱プラスチック		
2	HOLD-DOWN ホルドダウン	4	COPPER ALLOY 銅合金	GOLD PLATING OVER NICKEL	△
1	CONTACT コンタクト	N	COPPER ALLOY 銅合金	GOLD PLATING OVER NICKEL	△
符号 NO.	名称 DESCRIPTION	個数 QTY.	材料 MATERIAL	仕上 FINISH	備考 REMARKS
仕様書 (SPECIFICATION) JACS-10818		第1版 (ORIGINAL DATE) 21.Jun.2011		尺度 (SCALE) 10:1	シリーズ (SERIES) WP7B
一般公差 (GENERAL TOLERANCE)		製図 DR.	名称 (TITLE) WP7B-P***VA1		
寸法 (DIMENSION)		担当 CHK.	H.MATSUZAKI		
角度 (ANGLES)		査閲 APPD.	T.NISHIMURA		
. ± .x ± .xx ± .xxx ±		承認 APPD.	H.OBIKANE		
単位 (UNIT): mm		質量 (MASS)		図面番号 (DRAWING NO.) SJ111879	
				日本航空電子工業株式会社 JAPAN AVIATION ELECTRONICS INDUSTRY, LTD.	
				版数 (VER.) 3	

DCF-C-212H(12.08)



WISDOM承認 2013/03/18