



Chipsmall Limited consists of a professional team with an average of over 10 year of expertise in the distribution of electronic components. Based in Hongkong, we have already established firm and mutual-benefit business relationships with customers from,Europe,America and south Asia,supplying obsolete and hard-to-find components to meet their specific needs.

With the principle of "Quality Parts,Customers Priority,Honest Operation,and Considerate Service",our business mainly focus on the distribution of electronic components. Line cards we deal with include Microchip,ALPS,ROHM,Xilinx,Pulse,ON,Everlight and Freescale. Main products comprise IC,Modules,Potentiometer,IC Socket,Relay,Connector.Our parts cover such applications as commercial,industrial, and automotives areas.

We are looking forward to setting up business relationship with you and hope to provide you with the best service and solution. Let us make a better world for our industry!



## Contact us

Tel: +86-755-8981 8866 Fax: +86-755-8427 6832

Email & Skype: info@chipsmall.com Web: www.chipsmall.com

Address: A1208, Overseas Decoration Building, #122 Zhenhua RD., Futian, Shenzhen, China



**FS1 - S02 - 1 XXX**

**MOUNTING SCREW OPTION**

- 1** = 8 mm MOUNTING SCREW SHIPPED BULK IN SAME TRAYS WITH CAGE ASSEMBLIES
- 2** = NO MOUNTING SCREW SUPPLIED
- 3** = 10 mm MOUNTING SCREW WITH LOCK WASHER SHIPPED BULK IN SAME TRAYS WITH CAGE ASSEMBLIES

**GASKET OPTION**

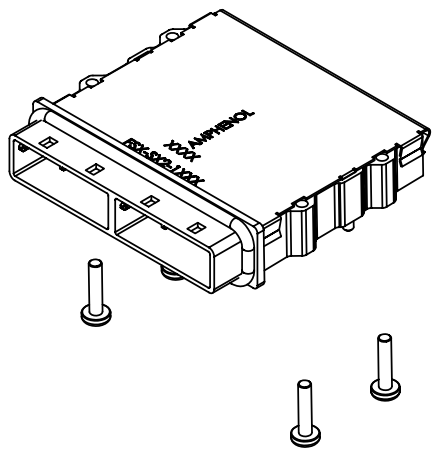
- E** = STAINLESS STEEL EMIGASKET
- F** = FOAM, CHOMERIC SOFT SHIELD 4800, EMIGASKET
- C** = CONDUCTIVE ELASTOMER, CHOMERIC SC6305

**KEYING OPTION (SEE BELOW TABLE FOR FURTHER CLARIFICATION)**

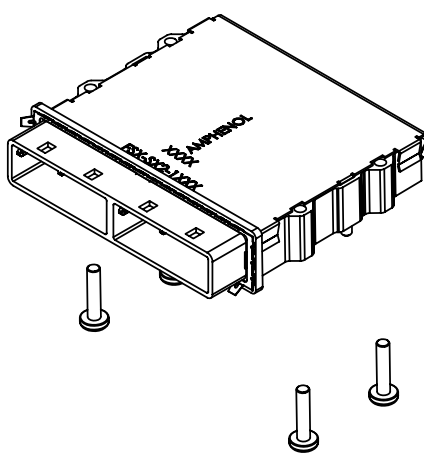
- 0** = NO KEY
- 1** = KEY # 1 (IN ALL PORTS)
- 2** = KEY # 2 (IN ALL PORTS)
- 4** = KEY # 4 (IN ALL PORTS)
- 6** = KEY # 6 (IN ALL PORTS)
- 7** = KEY # 7 (IN ALL PORTS)
- D22** = KEY # 2 AND # 4 (IN ALL PORTS)
- D66** = KEY # 4 AND # 6 (IN ALL PORTS)
- D26** = KEY # 2 AND # 4 IN LEFT PORT/ KEY # 4 AND # 6 IN RIGHT PORT
- D62** = KEY # 4 AND # 6 IN LEFT PORT/ KEY # 2 AND # 4 IN RIGHT PORT

Left Key Option	Right Key Option	Part Number	Description
0	0	FS1-S02-10XX	No Key
1	1	FS1-S02-11XX	SATA 'X' Cable
4	4	FS1-S02-14XX	SAS Universal Port
7	7	FS1-S02-17XX	SATA 'M' Cable
2,4	2,4	FS1-S02-1D22XX	SAS Out Port
4,6	4,6	FS1-S02-1D66XX	SAS In Port
2,4	4,6	FS1-S02-1D26XX	SAS Out/In Port
4,6	2,4	FS1-S02-1D62XX	SAS In/Out Port

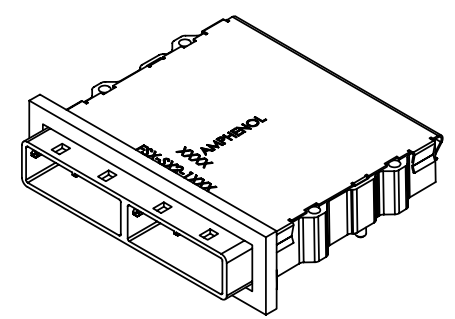
REVISIONS			
REV	BY	DATE	APPROVED
S		SEP 10 09	ZLJ
T		JAN 14 10	ZLJ



PART NUMBER: **FS1-S02-14C1** SHOWN  
(CAGE ASSEMBLY WITH ELASTOMERIC GASKET AND 8mm MOUNTING SCREWS SHIPPED BULK)



PART NUMBER: **FS1-S02-14E1** SHOWN  
(CAGE ASSEMBLY WITH STAINLESS STEEL GASKET AND 8mm MOUNTING SCREWS SHIPPED BULK)



PART NUMBER: **FS1-S02-14F1** SHOWN  
(CAGE ASSEMBLY WITH FOAM GASKET AND 8mm MOUNTING SCREWS SHIPPED BULK)

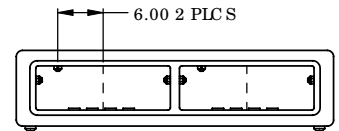
DO NOT SCALE DRAWING

THIS DOCUMENT CONTAINS PROPRIETARY INFORMATION AND SUCH INFORMATION MAY NOT BE DISCLOSED TO OTHERS FOR ANY PURPOSE OR USED FOR MANUFACTURING PURPOSES WITHOUT PERMISSION FROM AMPHENOL CANADA CORP.

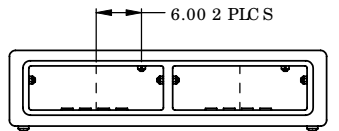


UNLESS OTHERWISE SPECIFIED DIMENSIONS ARE IN MILLIMETERS TO NEAREST 0.10		APPROVALS		DATE		Amphenol Canada Corp.	
DRAWN	ZLJ	NO V 7/08					
DESIGNED	ZLJ	NO V 7/08					MINISAS 1 DBG REE
						2 PORT CAGE	
DWG. NO.	EAR 123XX	SCALE	NIS	PROJ. NO.	P-FS1-S02-1XXX	REV.	T
DATE	03554	DWG. APP'D		SCALE	SFF	ISSUE	1 OF 2

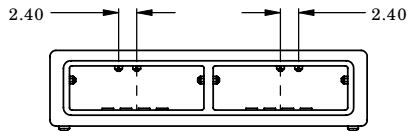
REVISIONS			
REV	BY	DATE	APPROVED
S	ZLJ	SEP 19/08	ZLJ
T	ZLJ	SEP 19/08	ZLJ



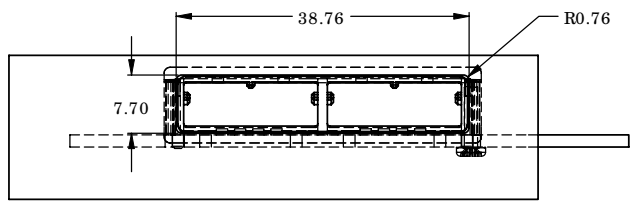
KEY # 1-1



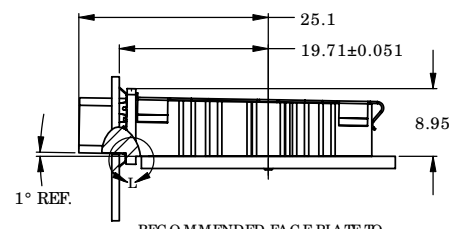
KEY # 7-7



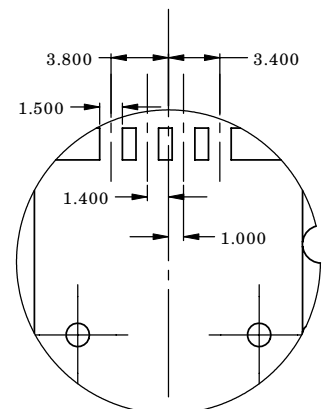
KEY # 2, 4 - 4, 6



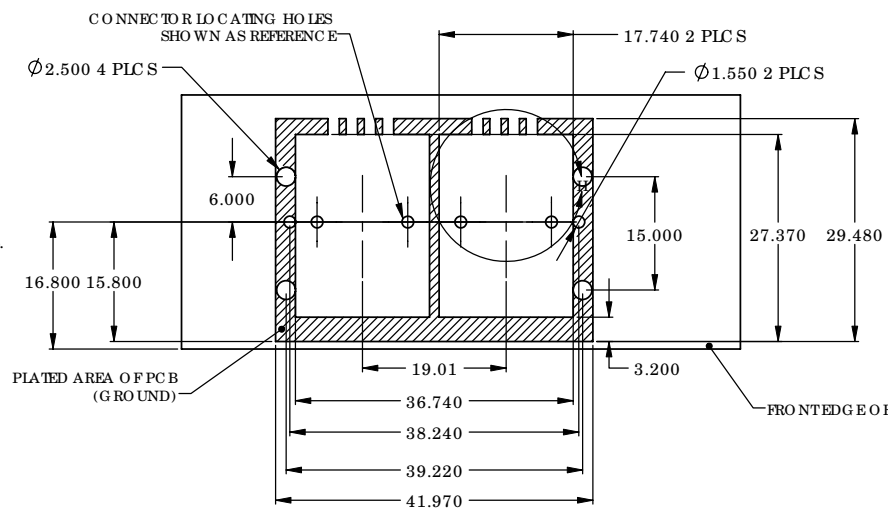
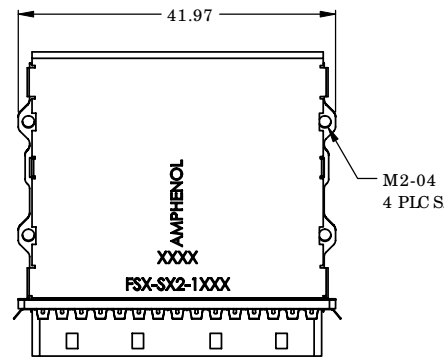
RECOMMENDED PANEL CUT-OUT



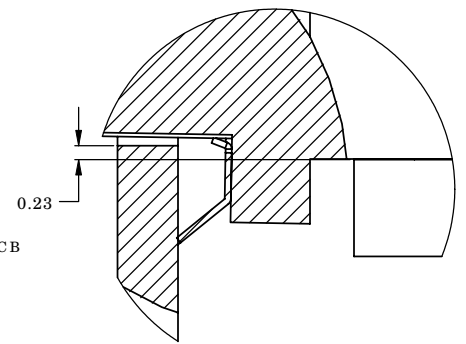
RECOMMENDED FACE PLATE TO LOCATING POST DISTANCE



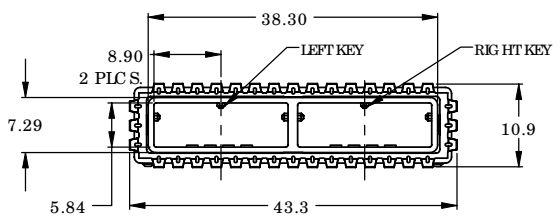
DETAIL H  
SCALE 4 : 1



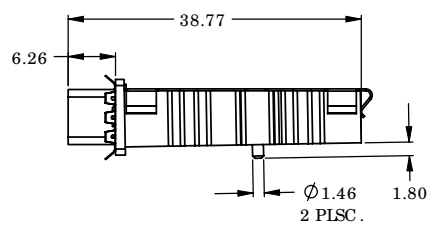
RECOMMENDED PCB LAYOUT



DETAIL I  
SCALE 16 : 1



KEY # 4-4



NOTES:

1) MATERIAL:

CAGE: ZINC DIE CAST SHELL WITH 150 MICRONS CHROMIUM PLATING  
EMC GASKET: SEE SHEET 1  
COVER: STAINLESS STEEL  
MOUNTING SCREW: A316 STAINLESS STEEL

2) ROHS COMPLIANT



APPROVALS				DATE		Amphenol Canada Corp.	
DRAWN	ANGLED	DATE	BY	DATE	BY	DATE	BY
ZLJ		SEP 19/08	ZLJ	SEP 19/08			
ZLJ		SEP 19/08	ZLJ	SEP 19/08			

DO NOT SCALE DRAWING

THIS DOCUMENT CONTAINS PROPRIETARY INFORMATION AND SUCH INFORMATION MAY NOT BE DISCLOSED TO OTHERS FOR ANY PURPOSE OR USED FOR MANUFACTURING PURPOSES WITHOUT PERMISSION FROM AMPHENOL CANADA CORP.

DRG. NO.	EAR 123XX	DRG. NO.	P-FSL-S02-1XXX	REV.	T
DATE	03554	DATE	NTS	REV.	SFF
					2 OF 2