



Chipsmall Limited consists of a professional team with an average of over 10 year of expertise in the distribution of electronic components. Based in Hongkong, we have already established firm and mutual-benefit business relationships with customers from,Europe,America and south Asia,supplying obsolete and hard-to-find components to meet their specific needs.

With the principle of “Quality Parts,Customers Priority,Honest Operation,and Considerate Service”,our business mainly focus on the distribution of electronic components. Line cards we deal with include Microchip,ALPS,ROHM,Xilinx,Pulse,ON,Everlight and Freescale. Main products comprise IC,Modules,Potentiometer,IC Socket,Relay,Connector.Our parts cover such applications as commercial,industrial, and automotives areas.

We are looking forward to setting up business relationship with you and hope to provide you with the best service and solution. Let us make a better world for our industry!



## Contact us

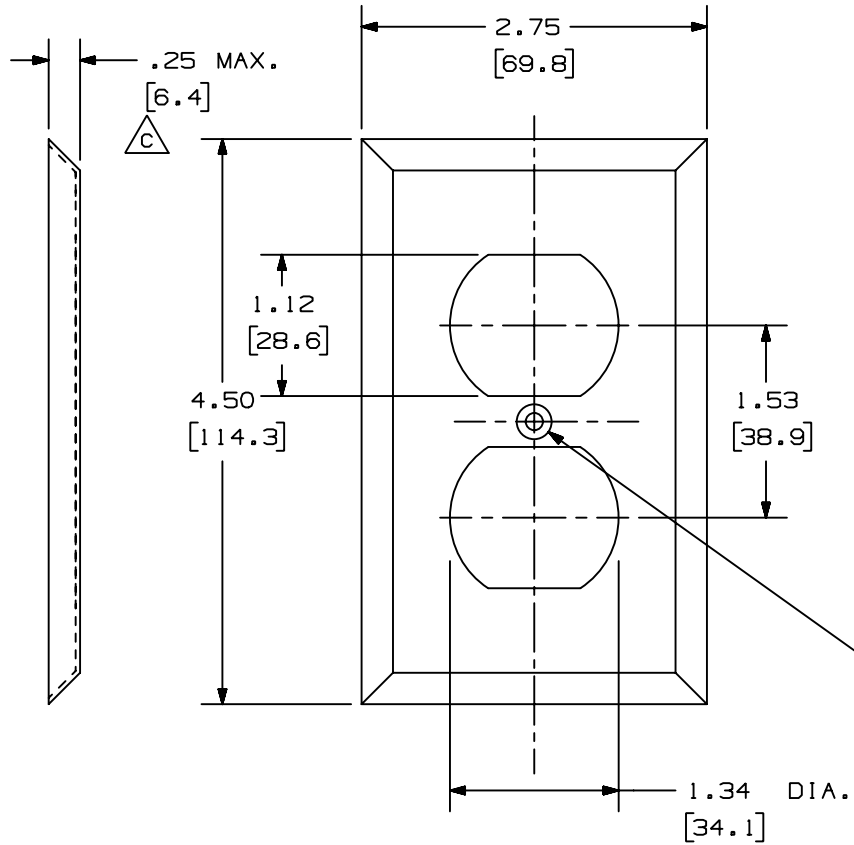
Tel: +86-755-8981 8866 Fax: +86-755-8427 6832

Email & Skype: info@chipsmall.com Web: www.chipsmall.com

Address: A1208, Overseas Decoration Building, #122 Zhenhua RD., Futian, Shenzhen, China



THIS COPY IS PROVIDED ON A RESTRICTED BASIS AND IS NOT TO BE USED IN ANY WAY DETRIMENTAL TO THE INTERESTS OF PANDUIT CORP.



PANDUIT P/N	WEIGHT
WPS-20	1.15 LB/10 PCS (525 g/10 PCS)

NOTES:

1. SEE CURRENT CATALOG FOR ADDITIONAL PART NUMBER SUFFIXES TO INDICATE COLOR AND OR PACKAGE QUANTITY.
2. BRUSH FINISH.
3. ONE #6 X 32 - 1/2" LONG SCREW PROVIDED FOR FASTENING WALLPLATE.
4. DIMENSIONS IN PARENTHESES ARE IN METRIC.

B

A

A

C'SK FOR #6-32 X 1/2" OVAL HEAD SCREW

CAD FILENAME/LAYERS WCPGO-WALLPLATE-2\_02.PRT (16)

PANDUIT CORP. TINLEY PARK, ILLINOIS

WPS-20 WALLPLATE FOR SINGLE GANG DUPLEX RECEPTACLE CUSTOMER DRAWING

UNLESS OTHERWISE SPECIFIED, DIMENSIONAL TOLERANCES ARE:  
(.X) ± (.XXX) ± .010  
(.XX) ± .020 ANGLES ±

UNLESS OTHERWISE SPECIFIED, ALL DIMENSIONS ARE GIVEN IN INCHES, THIRD ANGLE PROJECTION.

REV	DATE	BY	CHK	DESCRIPTION	ECN	CHK	CUST	SUP
2	09-22-98	JBA	CEF	C. REV'D METRIC DIMENSION: WAS .2. B. REV'D NOTES TO CURRENT STANDARD.	34046-24	CEF	CEF	
1	11-07-96	JBA	CEF	A. REV'D NOTE #3: CONTAINS ONE SCREW.	34046-24	CEF		
R	10-29-87	LDB	WJB	RELEASED TO PRODUCTION.	34046-24	WJB		

DRAWN BY L. BENTZ

MAT'L: .030" THICK STAINLESS STEEL

SCALE NONE

DATE 10-29-87

DRAWING NO. 34046-24

CHECKED BY WJB

DWG SIZE A