



Chipsmall Limited consists of a professional team with an average of over 10 year of expertise in the distribution of electronic components. Based in Hongkong, we have already established firm and mutual-benefit business relationships with customers from,Europe,America and south Asia,supplying obsolete and hard-to-find components to meet their specific needs.

With the principle of “Quality Parts,Customers Priority,Honest Operation,and Considerate Service”,our business mainly focus on the distribution of electronic components. Line cards we deal with include Microchip,ALPS,ROHM,Xilinx,Pulse,ON,Everlight and Freescale. Main products comprise IC,Modules,Potentiometer,IC Socket,Relay,Connector.Our parts cover such applications as commercial,industrial, and automotives areas.

We are looking forward to setting up business relationship with you and hope to provide you with the best service and solution. Let us make a better world for our industry!



Contact us

Tel: +86-755-8981 8866 Fax: +86-755-8427 6832

Email & Skype: info@chipsmall.com Web: www.chipsmall.com

Address: A1208, Overseas Decoration Building, #122 Zhenhua RD., Futian, Shenzhen, China





PRODUCT SPECIFICATION

Attn: _____

SPEC. No: _____

DATE: Dec.17.2012

CUSTOMER PRODUCT NAME:
TDK PRODUCT NAME: WR-383250-17M2-G
APPROVED BY:
CUSTOMER COMMENT:
REMARK: Please sign back specification after customer conformation until 2weeks. If customer can't sign back specification, customer should be approved TDK specification.

TDK-EPC Corporation

Head Office Address:

1-13-1, Nihonbashi, Chuo-ku, Tokyo
103-0027 , Japan

SALES

MANAGER	SALES

ENGINEERING

APPROVED	CHECKED	ISSUED

Sales Office _____

Sales Tel. _____

PRODUCT	
---------	--

REVISED HISTORY

CUSTOMER PRODUCT NAME: _____

TDK PRODUCT NAME:

WR-383250-17M2-G

NO.	REV.	REVISED CONTENT	REVISED REASON	DATE
1	0	To establish specification		2012.12.17
2				
3				



PRODUCT SPECIFICATION

TDK PRODUCT NAME:

WR-383250-17M2-G

SPEC. NO.

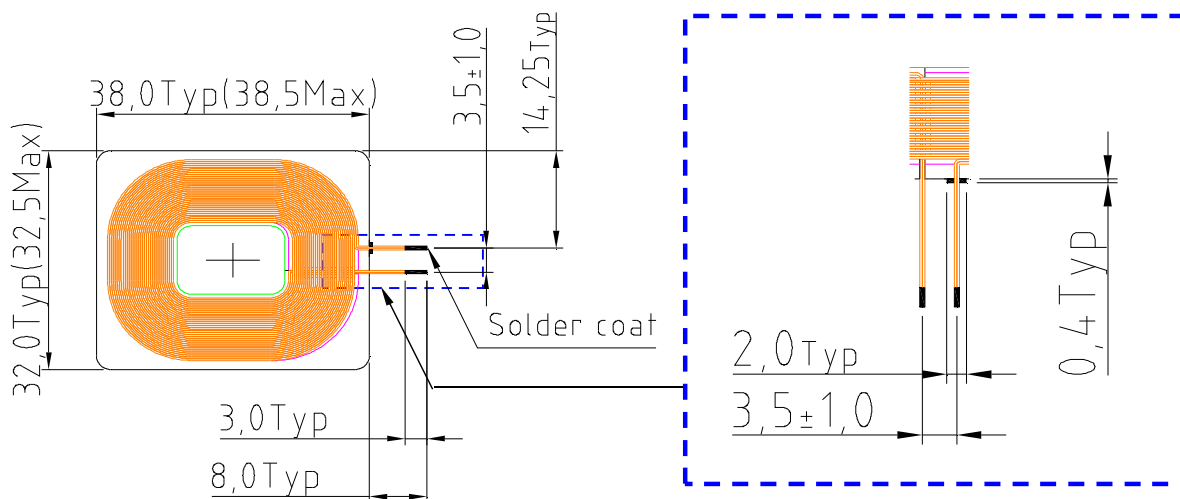
CUSTOMER PRODUCT NAME:

(1) Appearance & Dimensions (Unit: mm)

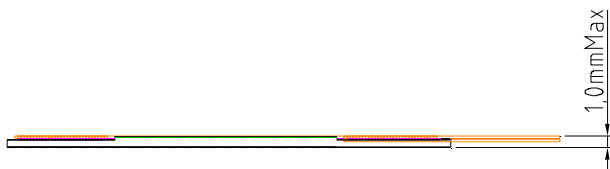
Weight: 4.19g (Typ.)

TOP VIEW

Lead wire pitch
(Promised position)



SIDE VIEW



[Remarks]

1. Lead Wire Pitch is the end of wire position, not Output terminal.

2. Marking Content:

a. T: Manufacturing Centers

b. Lot No.: □□ ○○ △△

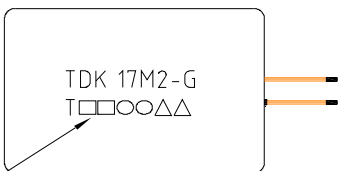
(1) (2) (3)

(1) Year: A.D. end number in double

(2) Month: Jan.(01) , Feb.(02)...Dec.(12)

(3) Day: 01,02,03,...31.

LOT NO.



PRODUCT SPECIFICATION

TDK PRODUCT NAME: WR-383250-17M2-G	SPEC. NO.	CUSTOMER PRODUCT NAME:
--	-----------	------------------------

(2) Air coil specification

Wire Diameter: $\phi 0.25 \times 2$ (Bifilar Winding Coil)

Coil Turns: 17Ts

(3) Electrical Characteristics

No.	Parameter	Specification	Test Instrument
1	Inductance	11.1 $\mu\text{H} \pm 5\%$	HP 4284A DIGITAL LCR METER or EQUIVALENT (@100kHz 1.0 Vrms)
2	DC Resistance	0.27 Ω Max (At 25°C)	CHEN HWA 502A METER or EQUIVALENT

(4) Temperature Characteristics

No.	Parameter	Specification
1	Operating Temperature	-30~70°C
2	Storage Temperature	-40~85°C

(5) Application

1. Reflow and dip-flow soldering can not used for this product.
2. The product fit in with RoHS rule.
3. The product fit in with Halogen-Free.

PRODUCT SPECIFICATION

TDK PRODUCT NAME: WR-383250-17M2-G	SPEC. NO.	CUSTOMER PRODUCT NAME:
--	-----------	------------------------

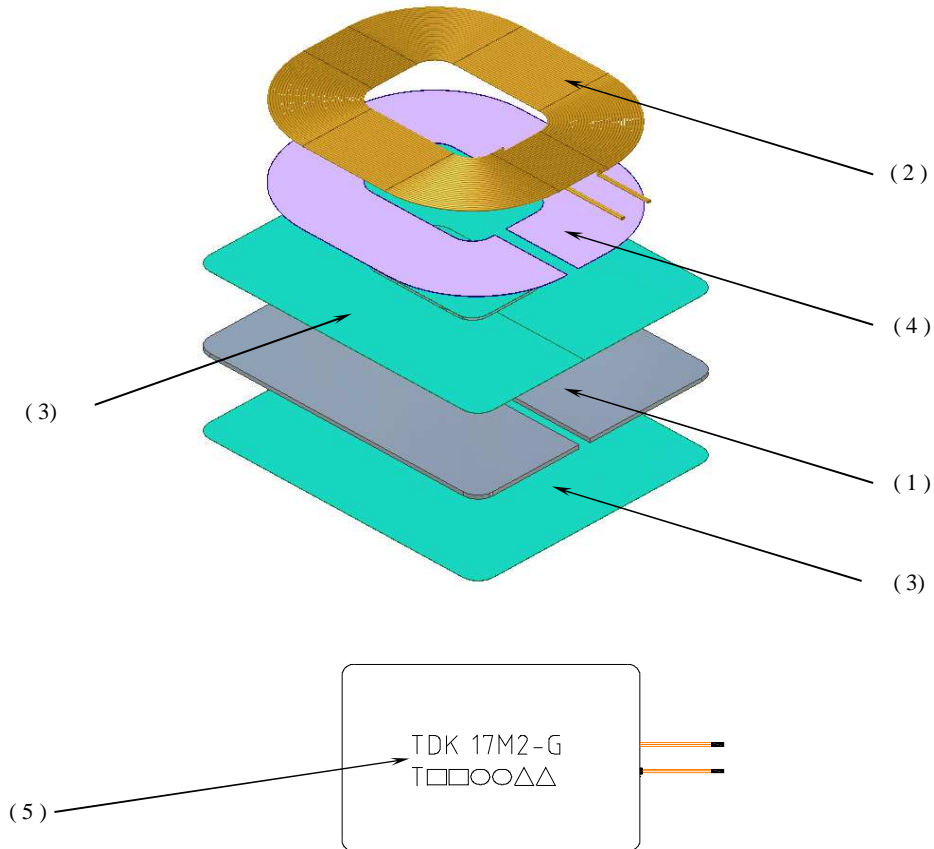
(6) Reliability Conditions

No.	Parameter	Conditions
1	Low Temperature (Storage)	(1) Temperature : $-40\pm 2^{\circ}\text{C}$ (2) Time : 240Hrs
2	High Temperature (Storage)	(1) Temperature : $+85\pm 2^{\circ}\text{C}$ (2) Time : 240Hrs
3	Thermal Shock (Storage)	(1) Temperature : $-40\pm 5^{\circ}\text{C}$ / 30min ~ $+85\pm 5^{\circ}\text{C}$ / 30min (2) Ambient Time : 5min (3) Times : 100cycles
4	Vibration	Unpacked: (1) frequency: 10~500Hz sweep octave wave(1 oct/ min) (2) Amplitude: 10G or 1.5mm P-P (3) Testing time : XYZ 2h/axis, total 6h
5	Shock Test	Fixed within the jig (1) Acceleration : $1000\text{m} / \text{s}^2$ (2) Pulse width : 6 msec (3) Direction : $\pm X$, $\pm Y$, $\pm Z$ (4) Frequency of shock : 3 times each (Total 18 times) Half-sine shock (1) 200G, 3ms(Gravity) (2) One shock per face (3) Total 6 shocks
6	Temperature / Humidity (Storage)	(1) Temperature : $+60\pm 2^{\circ}\text{C}$ (2) Humidity: 90% RH. (3) Time: 240Hrs
7	Drop Test	(1) Height : 160cm to the concrete floor (fixture weight : 160g) (2) Direction : 6 directions (3) Times : 3 times / direction
8	Package Drop	(1) Drop the sample package in a carton box. (2) Height : 100 cm (3) Direction : 1corner, 3 edges, 6 faces (4) Drop time : 16 times

PRODUCT SPECIFICATION

TDK PRODUCT NAME: WR-383250-17M2-G	SPEC. NO.	CUSTOMER PRODUCT NAME:
--	-----------	------------------------

(7) Construction



(8) Material List

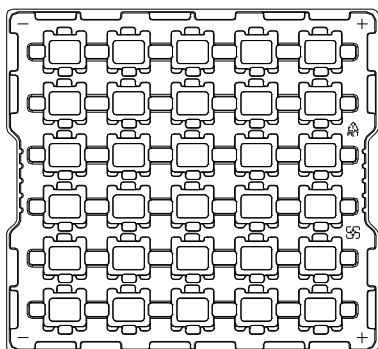
No.	Material Name
1	Iron Sheet
2	PET Tape
3	Adhesive Tape
4	Air Coil
5	Ink

PRODUCT SPECIFICATION

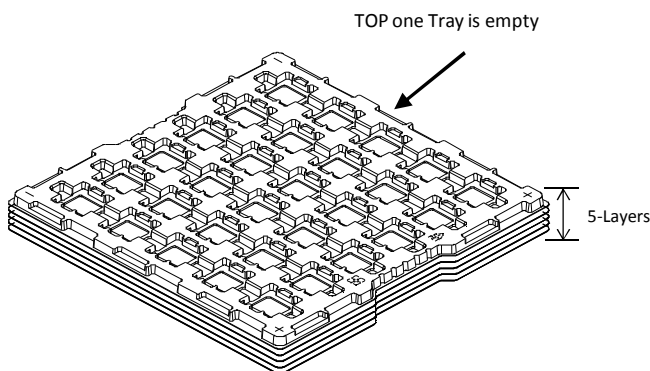
TDK PRODUCT NAME: WR-383250-17M2-G	SPEC. NO.	CUSTOMER PRODUCT NAME:
--	-----------	------------------------

(9) Packing

- To stack the the Trays onto 5 Layers. :
 - PET tray dimension: 326*329*9.5mm (REF.)
 - 30 Pcs / per PET tray



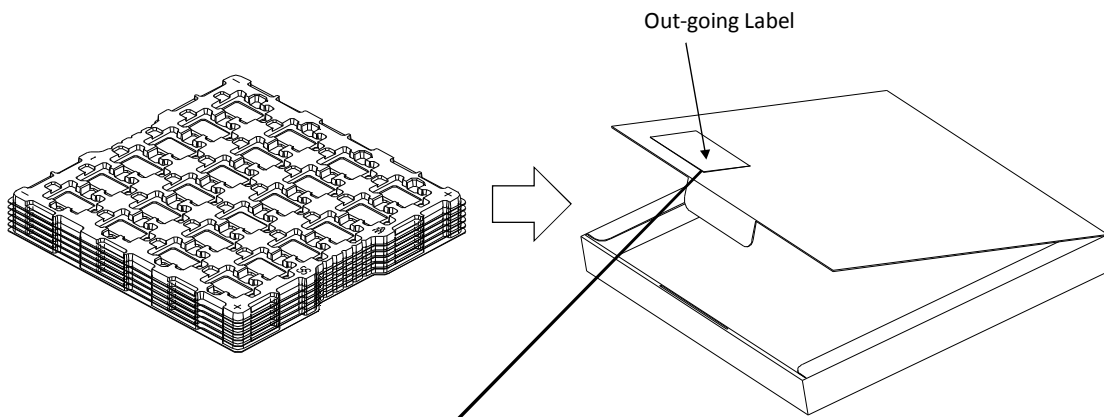
Total : 6x5=30 pcs



Total : 30x4=120 pcs

- To put 5 Trays of products into the small Carton and affixing the out-going label on the outside .

- Small carton dimension: 331*337*33mm (REF.)
- 5 PET Trays / per small carton (One PET tray of the top side is empty in the small carton)



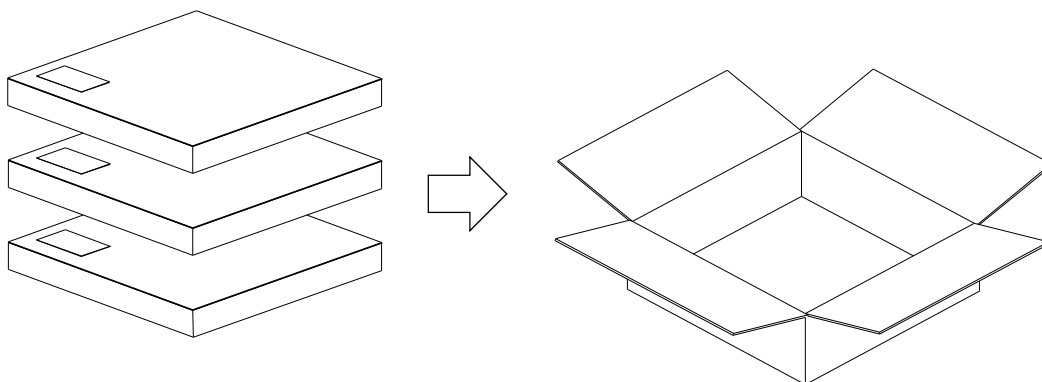
CUST PROD ID(P): WR-383250-17M2-XX		Customer
		ROHS
QTY(Q): 120	(6P):TXDF10108TWN050009010	
TDK ITEM(IP): R-383250-17M2-XX	VDR(V):TDK	
LOT NO(IT): WL11K06001+M0001	DATE CODE(T): 1143	0001
		001/014
2011/10/09	MADE IN TAIWAN	12296A1181
(ITEM:WR-383250-17M2-XX)	(1M)TTXDF10108	(S)
		TDK TAIWAN CORPORATION

Out-going Label

PRODUCT SPECIFICATION

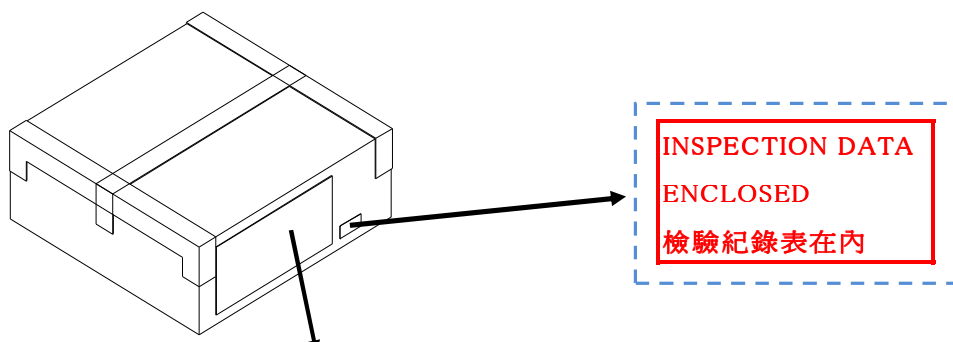
TDK PRODUCT NAME: WR-383250-17M2-G	SPEC. NO.	CUSTOMER PRODUCT NAME:
--	-----------	------------------------

3. To put 3 small carton into the Carton .
- Outer carton dimension: 347*340*124mm (REF.)
 - 3 small cartons / per outer carton
 - Total quantity : 360 Pcs



4. Packing.

- To pack the carton by scotch tape and affix out-going label (outside) on it outside.
- The inspection data in the box , there would be a signet mark on it outside.



(3S) TTW+WL11K0600200101400000360 [Barcode]		CUSTOMER: Customer	
(6S) C/NO:1		CUST. PART NO(P): 54H20323-00M	
BOX COUNT	001/014	[Barcode]	
SHIPPING MARK	ROHS	TDK ITEM CODE(6P): TXDF10108TWN	
Customer SHENZHEN		P/O NO.(K): 929429-10	
		LOT NO.(IT): WL11K06002	
		DATE: Dec.19.2011	
		QTY(Q): 360	
MADE IN TAIWAN		TDK ITEM (IP): WR-383250-17M2-XX	
WL11K06002		[Barcode]	
12296A1181		(WR-383250-17M2-XX)	
[Barcode]		SUB P/O NO.(6K): -10	
C/NO:1		TDK SPEC.	
WAREHOUSE	(CT)	TDK TAIWAN CORPORATION	
NW 3.3	GW 3.8	YANGMI, TAIWAN	
		14 [Barcode] TXDF10108	