



Chipsmall Limited consists of a professional team with an average of over 10 year of expertise in the distribution of electronic components. Based in Hongkong, we have already established firm and mutual-benefit business relationships with customers from,Europe,America and south Asia,supplying obsolete and hard-to-find components to meet their specific needs.

With the principle of “Quality Parts,Customers Priority,Honest Operation,and Considerate Service”,our business mainly focus on the distribution of electronic components. Line cards we deal with include Microchip,ALPS,ROHM,Xilinx,Pulse,ON,Everlight and Freescale. Main products comprise IC,Modules,Potentiometer,IC Socket,Relay,Connector.Our parts cover such applications as commercial,industrial, and automotives areas.

We are looking forward to setting up business relationship with you and hope to provide you with the best service and solution. Let us make a better world for our industry!



## Contact us

Tel: +86-755-8981 8866 Fax: +86-755-8427 6832

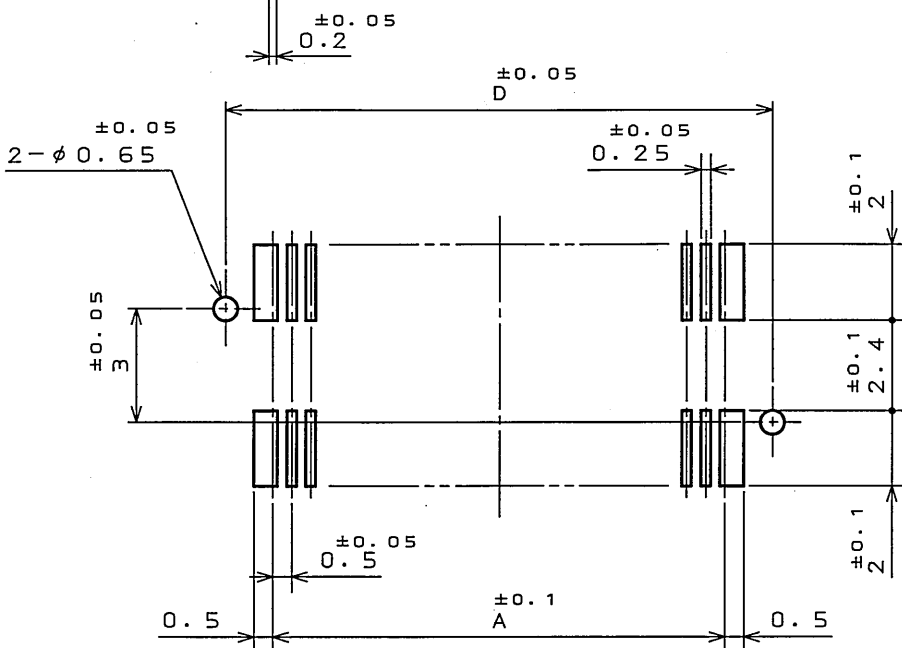
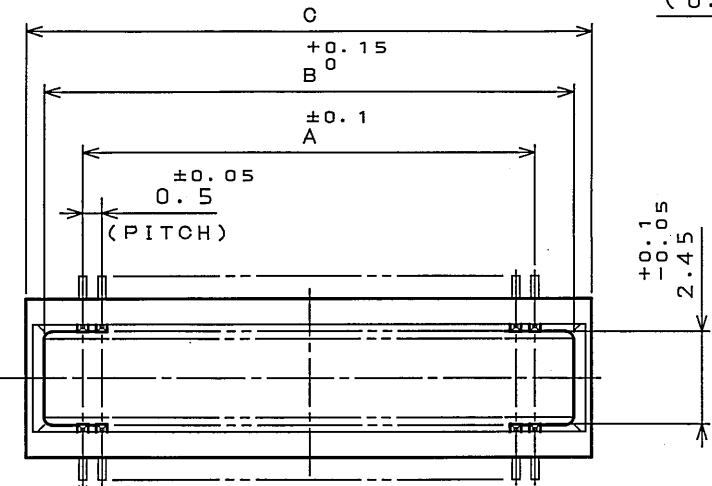
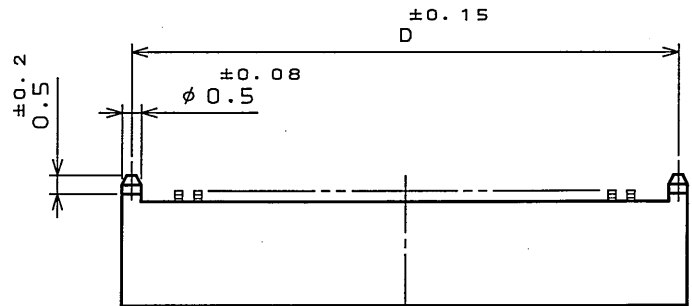
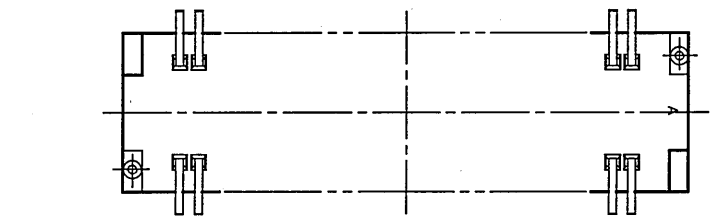
Email & Skype: info@chipsmall.com Web: www.chipsmall.com

Address: A1208, Overseas Decoration Building, #122 Zhenhua RD., Futian, Shenzhen, China

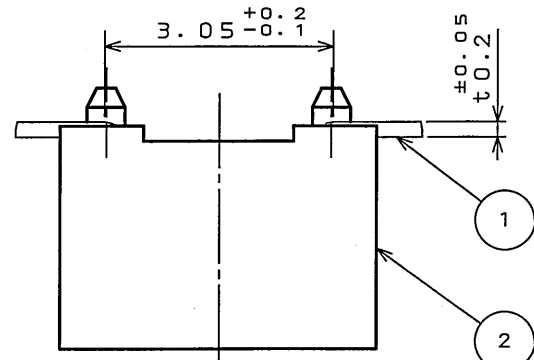
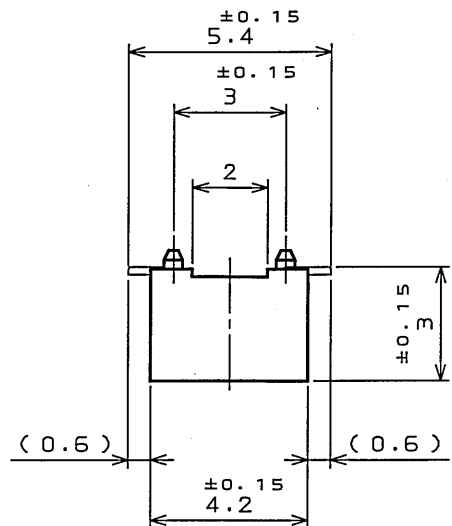


図面番号(DRAWING NO.) SJ100342

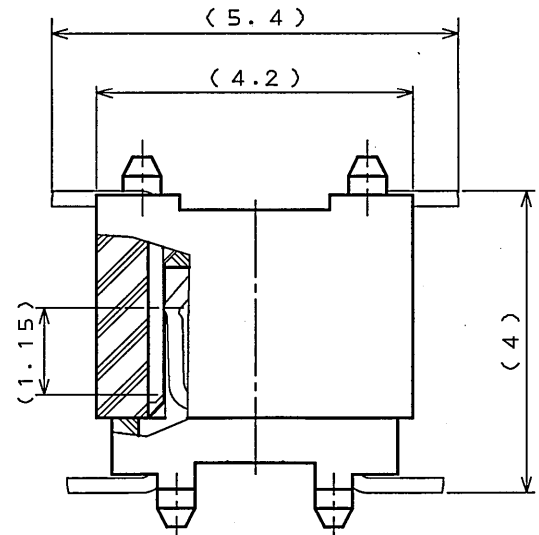
版数 REV.	年月日 DATE	DGN NO.	変更内容 DESCRIPTION	製図 DR.	担当 CHK.	査閲 APPD.	承認 APPD.



APPLICABLE P.C.B. DIMENSION (REF.)  
(CONNECTOR MOUNTING SIDE)



(SCALE 10:1)



MATED CONDITION (REF.)  
(SCALE 10:1)

TABLE 1

No. OF CONTACT(N)	A	B	C	D
16	3.5	5.5	6.5	6.0
20	4.5	6.5	7.5	7.0
36	8.5	10.5	11.5	11.0
40	9.5	11.5	12.5	12.0
50	12.0	14.0	15.0	14.5
60	14.5	16.5	17.5	17.0
70	17.0	19.0	20.0	19.5
80	19.5	21.5	22.5	22.0
100	24.5	26.5	27.5	27.0
120	29.5	31.5	32.5	32.0
160	39.5	41.5	42.5	42.0

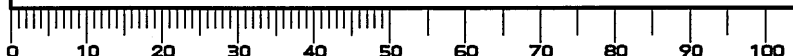
TABLE 2

FINISH	CONTACT AREA	TERMINAL AREA
N 1	GOLD(0.1μm MIN) OVER NICKEL	GOLD FLASH OVER NICKEL

2	INSULATOR	1	GLASS FILLED PPS	COLOR: BLACK	
1	CONTACT	TABLE 1	PHOSPHOR BRONZE	TABLE 2	
符号 NO.	名称 DESCRIPTION	個数 QTY.	材料 MATERIAL	仕上 FINISH	備考 REMARKS

仕様書(SPECIFICATION) JACS-1385-*		第1版(ORIGINAL DATE) 4.Dec.2003		名称(TITLE) WR-*PB-VF-N1	
公差(GENERAL TOLERANCE)		製図 DR. M.TANAKA		JAE CONNECTOR DIV. PROPRIETARY. COPYRIGHT (C) 2003, JAPAN AVIATION ELECTRONICS INDUSTRY, LTD.	
寸法(DIMENSION) 角度(ANGLES)		担当 CHK. T.SHIODA		JAE AVIATION ELECTRONICS INDUSTRY, LTD.	
. ±0.8 ° ±		査閲 APPD. K. Kawase		図面番号(DRAWING NO.) SJ100342	
.X ±0.4 °X' ±		承認 APPD. S. Kashiwagi		重量(WEIGHT)	
.XX ±0.1					
.XXX ±					

DOF-0-212E(03.08)



LEAD FREE この製品は鉛フリー品です

JAE CONNECTOR DIV. PROPRIETARY.  
COPYRIGHT (C) 2003, JAPAN AVIATION ELECTRONICS INDUSTRY, LTD.