



Chipsmall Limited consists of a professional team with an average of over 10 year of expertise in the distribution of electronic components. Based in Hongkong, we have already established firm and mutual-benefit business relationships with customers from,Europe,America and south Asia,supplying obsolete and hard-to-find components to meet their specific needs.

With the principle of “Quality Parts,Customers Priority,Honest Operation,and Considerate Service”,our business mainly focus on the distribution of electronic components. Line cards we deal with include Microchip,ALPS,ROHM,Xilinx,Pulse,ON,Everlight and Freescale. Main products comprise IC,Modules,Potentiometer,IC Socket,Relay,Connector.Our parts cover such applications as commercial,industrial, and automotives areas.

We are looking forward to setting up business relationship with you and hope to provide you with the best service and solution. Let us make a better world for our industry!



Contact us

Tel: +86-755-8981 8866 Fax: +86-755-8427 6832

Email & Skype: info@chipsmall.com Web: www.chipsmall.com

Address: A1208, Overseas Decoration Building, #122 Zhenhua RD., Futian, Shenzhen, China



SJ100394
(DRAWING NO.)

版数 REV.	年月日 DATE	DCN NO.	変更内容 DESCRIPTION	製図 DR.	担当 CHK.	査閲 APPD.	承認 APPD.

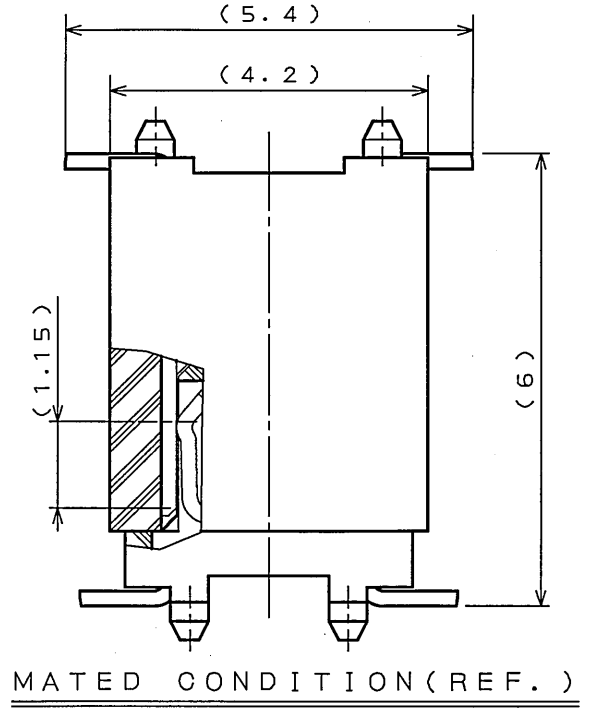
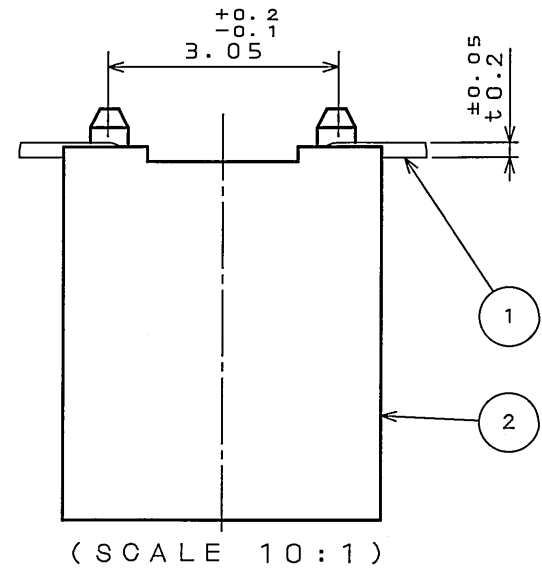
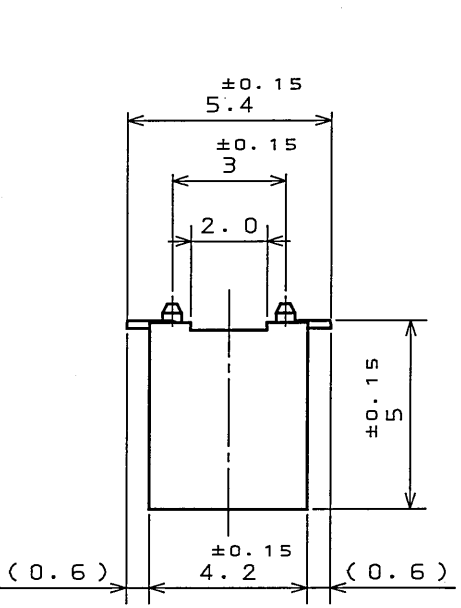
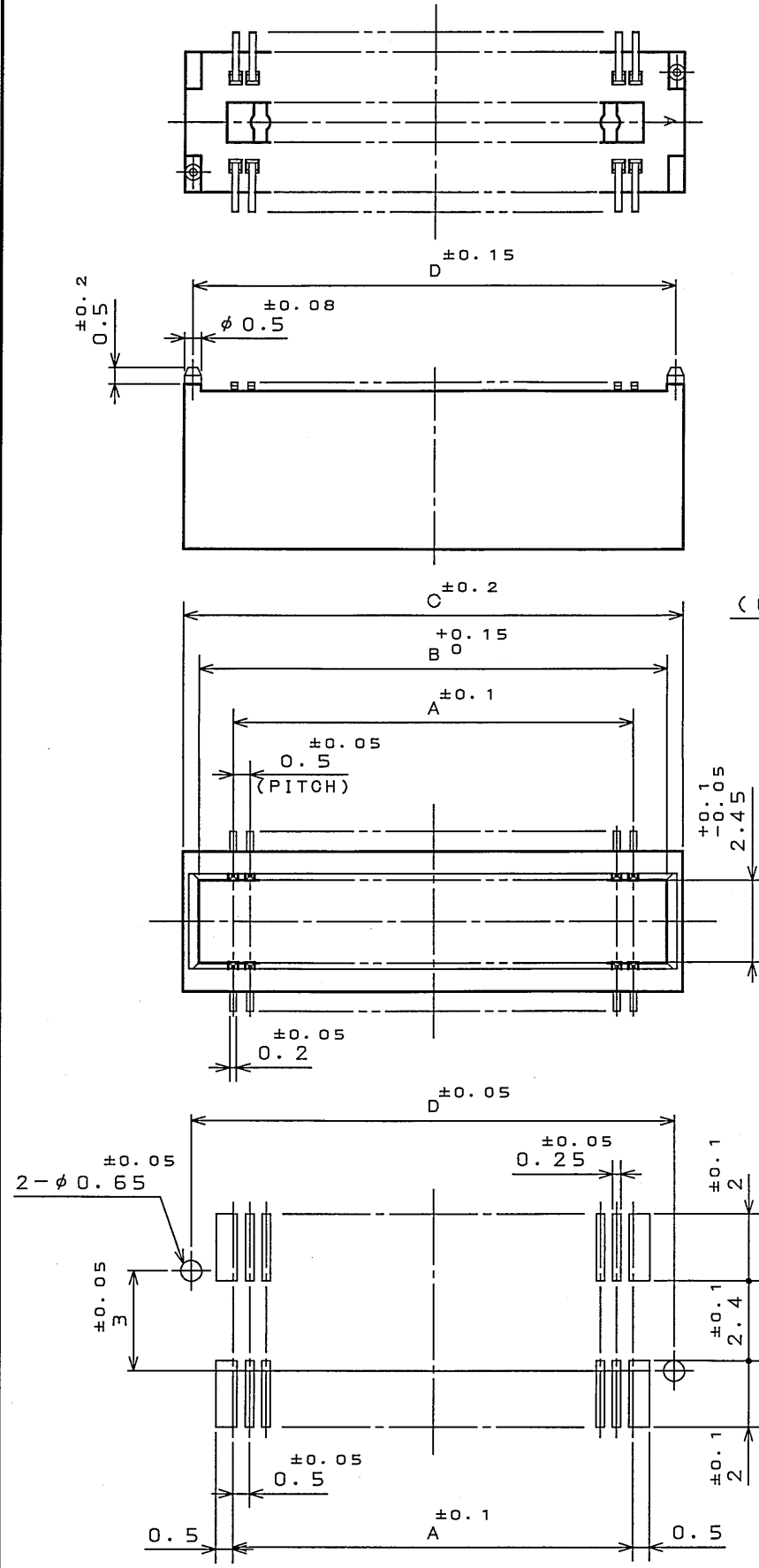


TABLE 1

No. OF CONTACTS(N)	A	B	C	D
30	7.0	9.0	10.0	9.5
40	9.5	11.5	12.5	12.0
50	12.0	14.0	15.0	14.5
60	14.5	16.5	17.5	17.0
80	19.5	21.5	22.5	22.0
100	24.5	26.5	27.5	27.0
120	29.5	31.5	32.5	32.0
130	32.0	34.0	35.0	34.5

TABLE 2

FINISH	CONTACT AREA	TERMINAL AREA
N 1	GOLD(0.1μm MIN) OVER NICKEL	GOLD FLASH OVER NICKEL

NOTE 1. COPLANARITY IS AS PER APPLICABLE SPECIFICATION.

注1. 端子の振れ規定は適用仕様書による。

APPLICABLE P.C.B. DIMENSION (REF.)
(CONNECTOR MOUNTING SIDE)

2	INSULATOR	1	GLASS FILLED PPS	COLOR: BLACK
1	CONTACT	N	PHOSPHOR BRONZE	TABLE 2
符号 NO.	名称 DESCRIPTION	個数 QTY.	材料 MATERIAL	仕上 FINISH
仕様書 (SPECIFICATION)	JACS-1385-*	第1版 (ORIGINAL DATE)	4.Dec.2003	備考 REMARKS
公差 (GENERAL TOLERANCE)		製図 DR.	S.MIURA	日本航空電子工業株式会社 JAE AVIATION ELECTRONICS INDUSTRY, LTD.
寸法 (DIMENSION)		担当 CHK.	T.SHIODA	
角度 (ANGLES)		査閲 APPD.	K. Kawase	
		承認 APPD.	S. Kashiwagi	
		重量 (WEIGHT)		図面番号 (DRAWING NO.)
				SJ100394
				版数 (REV.)
				1

LEAD FREE この製品は鉛フリー品です

JAE CONNECTOR DIV. PROPRIETARY.
COPYRIGHT (C) 2003. JAPAN AVIATION ELECTRONICS INDUSTRY, LTD.

DOF-0-212E(03.08)

