



Chipsmall Limited consists of a professional team with an average of over 10 year of expertise in the distribution of electronic components. Based in Hongkong, we have already established firm and mutual-benefit business relationships with customers from,Europe,America and south Asia,supplying obsolete and hard-to-find components to meet their specific needs.

With the principle of “Quality Parts,Customers Priority,Honest Operation,and Considerate Service”,our business mainly focus on the distribution of electronic components. Line cards we deal with include Microchip,ALPS,ROHM,Xilinx,Pulse,ON,Everlight and Freescale. Main products comprise IC,Modules,Potentiometer,IC Socket,Relay,Connector.Our parts cover such applications as commercial,industrial, and automotives areas.

We are looking forward to setting up business relationship with you and hope to provide you with the best service and solution. Let us make a better world for our industry!



## Contact us

Tel: +86-755-8981 8866 Fax: +86-755-8427 6832

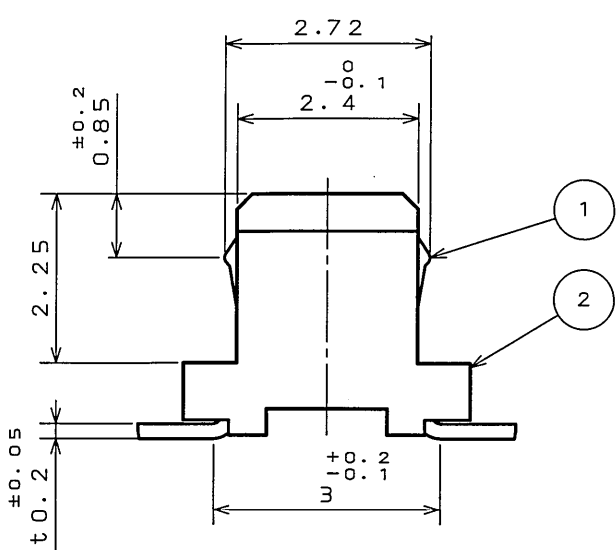
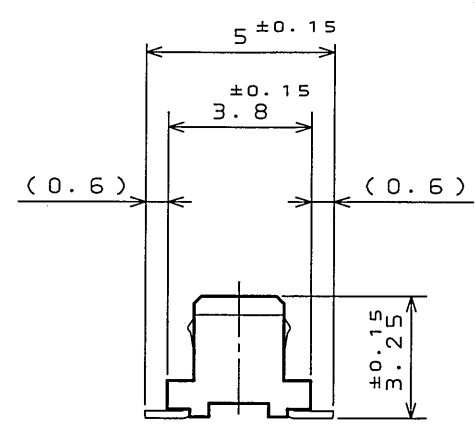
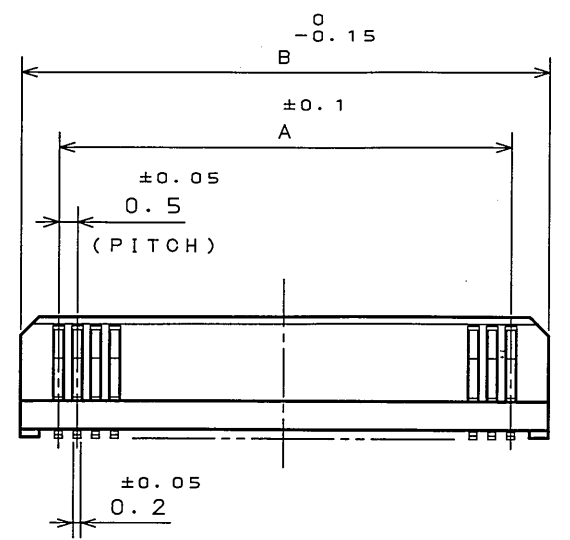
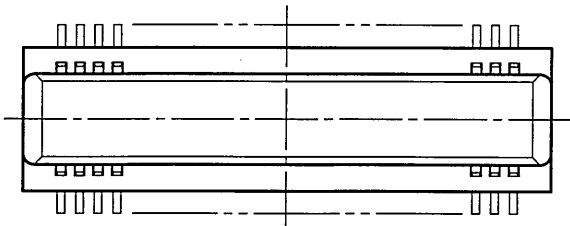
Email & Skype: info@chipsmall.com Web: www.chipsmall.com

Address: A1208, Overseas Decoration Building, #122 Zhenhua RD., Futian, Shenzhen, China



JE0019S  
 (ON DRAWING) 図号

版数 REV.	年月日 DATE	DCN NO.	変更内容 DESCRIPTION	製図 DR.	担当 CHK.	査閲 APPD.	承認 APPD.



(SCALE 10:1)  
 (尺度 10:1)

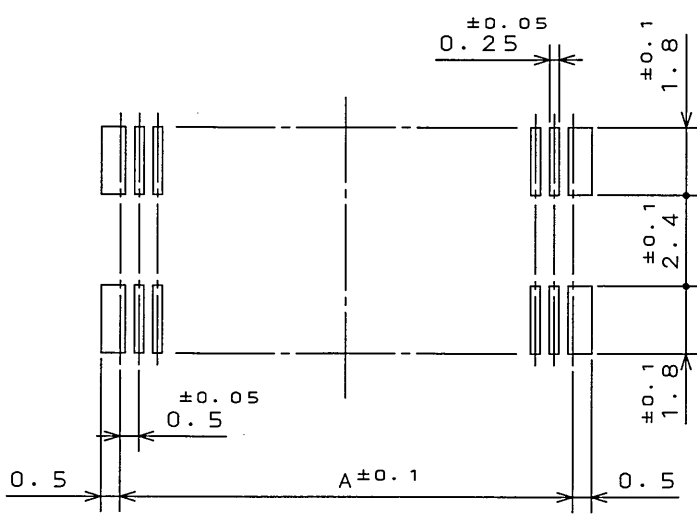
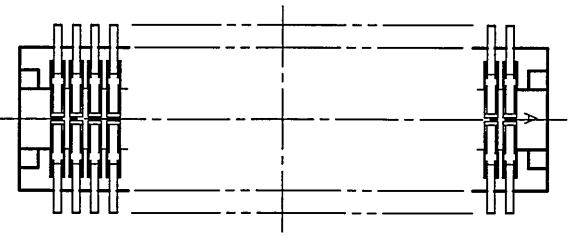
TABLE 1

NO. OF CONTACTS	A	B
20	4.5	6.5
30	7.0	9.0
40	9.5	11.5
50	12.0	14.0
60	14.5	16.5
70	17.0	19.0
80	19.5	21.5
100	24.5	26.5
120	29.5	31.5
160	39.5	41.5

TABLE 2

FINISH	CONTACT AREA	TERMINAL AREA
N 1	GOLD(0.1μm MIN)OVER NICKEL	GOLD FLASH OVER NICKEL

NOTE1. COPLANARITY IS AS PER APPLICABLE SPECIFICATION.  
 注1. 端子の振れ規定は適用仕様書による。



APPLICABLE P.C.B. DIMENSION (REF.)  
 適合基板寸法 (参考)

2	INSULATOR	1	GLASS FILLED LCP	COLOR: BLACK	
1	CONTACT	N	PHOSPHOR BRONZE	TABLE 2	
符号 NO.	名称 DESCRIPTION	個数 QTY.	材料 MATERIAL	仕上 FINISH	備考 REMARKS
仕様書 (SPECIFICATION)	JACS-1385-*	第1版 (ORIGINAL DATE)	4.Dec.2003	WR	日本航空電子工業株式会社
公差 (GENERAL TOLERANCE)		製図 DR.	M.TANAKA	名称 (TITLE)	Reference ONLY
寸法 (DIMENSION)	角度 (ANGLES)	担当 CHK.	T.SHIODA	WR-*S-VF-N1	JAE AVIATION ELECTRONICS INDUSTRY, LTD.
. ±0.8	° ±	査閲 APPD.	K. Kawada	重量 (WEIGHT)	図面番号 (DRAWING NO.)
.X ±0.4	°X ±	承認 APPD.	S. Kashiwagi		SJ100337
.XX ±0.1					版数 (REV.)
.XXX ±					1

LEAD FREE この製品は鉛フリー品です

DOF-0-212E(03.08)

