



Chipsmall Limited consists of a professional team with an average of over 10 year of expertise in the distribution of electronic components. Based in Hongkong, we have already established firm and mutual-benefit business relationships with customers from,Europe,America and south Asia,supplying obsolete and hard-to-find components to meet their specific needs.

With the principle of “Quality Parts,Customers Priority,Honest Operation,and Considerate Service”,our business mainly focus on the distribution of electronic components. Line cards we deal with include Microchip,ALPS,ROHM,Xilinx,Pulse,ON,Everlight and Freescale. Main products comprise IC,Modules,Potentiometer,IC Socket,Relay,Connector.Our parts cover such applications as commercial,industrial, and automotives areas.

We are looking forward to setting up business relationship with you and hope to provide you with the best service and solution. Let us make a better world for our industry!



Contact us

Tel: +86-755-8981 8866 Fax: +86-755-8427 6832

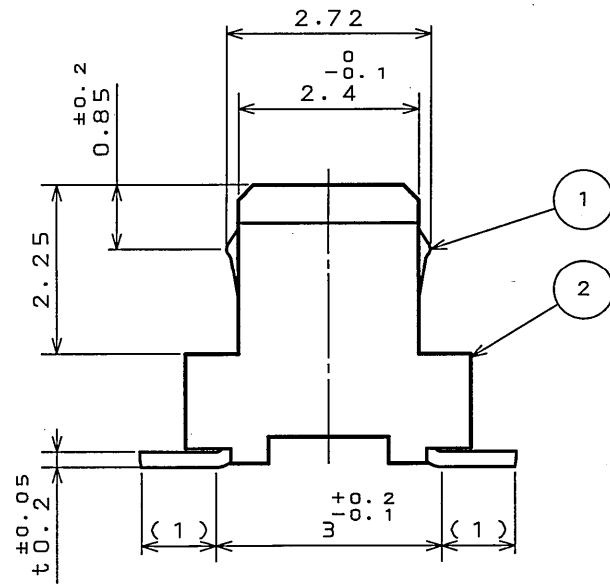
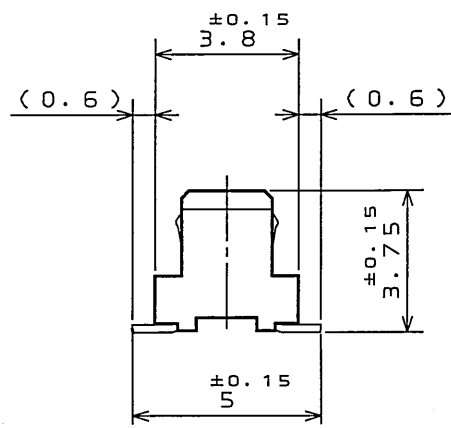
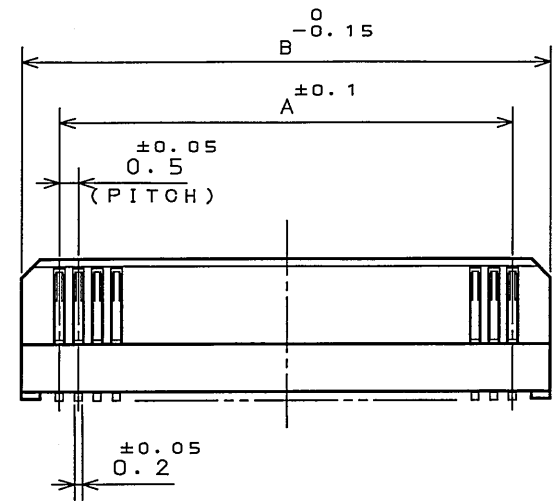
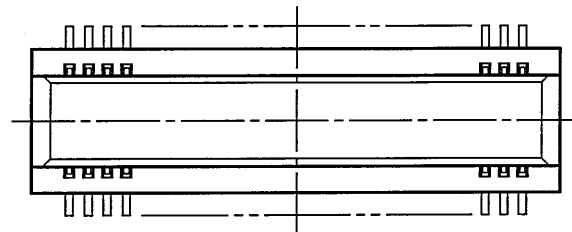
Email & Skype: info@chipsmall.com Web: www.chipsmall.com

Address: A1208, Overseas Decoration Building, #122 Zhenhua RD., Futian, Shenzhen, China



SJ100345
(ON ENIWMH) (DRAWING NO.)

| 版数 REV. | 年月日 DATE | DCN NO. | 変更内容 DESCRIPTION | 製図 DR. | 担当 CHK. | 査閲 APPD. | 承認 APPD. |
|------------|-------------|---------|---------------------|-----------|------------|-------------|-------------|
| | | | | | | | |
| | | | | | | | |



(SCALE 10/1)

TABLE 1

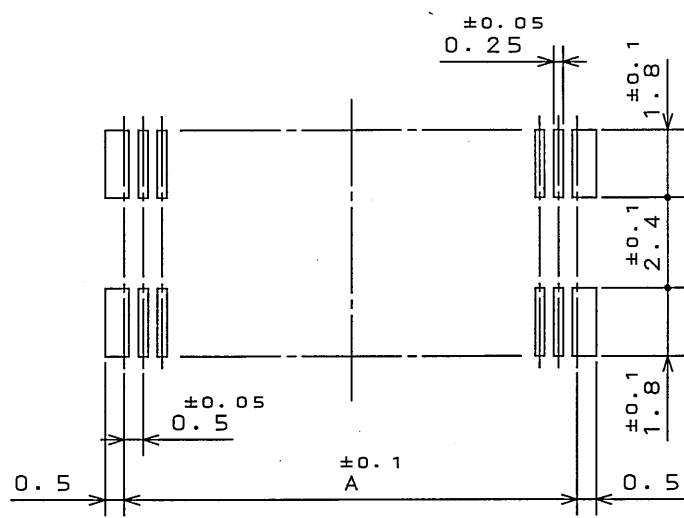
| No. OF CONTACT(N) | A | B |
|-------------------|------|------|
| 30 | 7.0 | 9.0 |
| 40 | 9.5 | 11.5 |
| 50 | 12.0 | 14.0 |
| 60 | 14.5 | 16.5 |
| 64 | 15.5 | 17.5 |
| 70 | 17.0 | 19.0 |
| 80 | 19.5 | 21.5 |
| 90 | 22.0 | 24.0 |
| 120 | 29.5 | 31.5 |

TABLE 2

| FINISH | CONTACT AREA | TERMINAL AREA |
|--------|-----------------------------|------------------------|
| N 1 | GOLD(0.1μm MIN) OVER NICKEL | GOLD FLASH OVER NICKEL |

NOTE1. COPLANARITY IS AS PER APPLICABLE SPECIFICATION.

注1. 端子の振れ規定は、適用仕様書による。



APPLICABLE P.C.B. DIMENSION(REF.)
適合基板寸法(参考)

| 2 | INSULATOR | 1 | GLASS FILLED LCP | COLOR:BLACK | |
|-----------------------------------|-------------------|----------------------------------|------------------|--|---------------|
| 1 | CONTACT | TABLE 1 | COPPER ALLOY | TABLE 2 | |
| 符号 NO. | 名称 DESCRIPTION | 個数 QTY. | 材料 MATERIAL | 仕上 FINISH | 備考 REMARKS |
| 仕様書(SPECIFICATION) JACS-1385-* | | 第1版(ORIGINAL DATE) 4.Dec.2003 | | JAE-CONNECTOR.COM 日本航空電子工業株式会社 | |
| 公差(GENERAL TOLERANCE) | | 製図 DR. M.TANAKA | | 名称(TITLE) Reference Only JAPAN AVIATION ELECTRONICS INDUSTRY, LTD. | |
| 寸法(DIMENSION) | | 担当 CHK. T.SHIODA | | WR-*S-VFH05-N1 | |
| 角度(ANGLES) | | 査閲 APPD. K. Kurose | | 重量(WEIGHT) | |
| . ±0.8 X° ± | | 承認 APPD. S. Kashiragi | | 図面番号(DRAWING NO.) SJ100345 | |
| .X ±0.4 X°X' ± | | | | 版数 (REV.) 1 | |
| .XX ±0.1 | | | | | |
| .XXX ± | | | | | |

LEAD FREE この製品は鉛フリー品です

DOF-0-212E(03.08)

