



Chipsmall Limited consists of a professional team with an average of over 10 year of expertise in the distribution of electronic components. Based in Hongkong, we have already established firm and mutual-benefit business relationships with customers from,Europe,America and south Asia,supplying obsolete and hard-to-find components to meet their specific needs.

With the principle of “Quality Parts,Customers Priority,Honest Operation,and Considerate Service”,our business mainly focus on the distribution of electronic components. Line cards we deal with include Microchip,ALPS,ROHM,Xilinx,Pulse,ON,Everlight and Freescale. Main products comprise IC,Modules,Potentiometer,IC Socket,Relay,Connector.Our parts cover such applications as commercial,industrial, and automotives areas.

We are looking forward to setting up business relationship with you and hope to provide you with the best service and solution. Let us make a better world for our industry!



Contact us

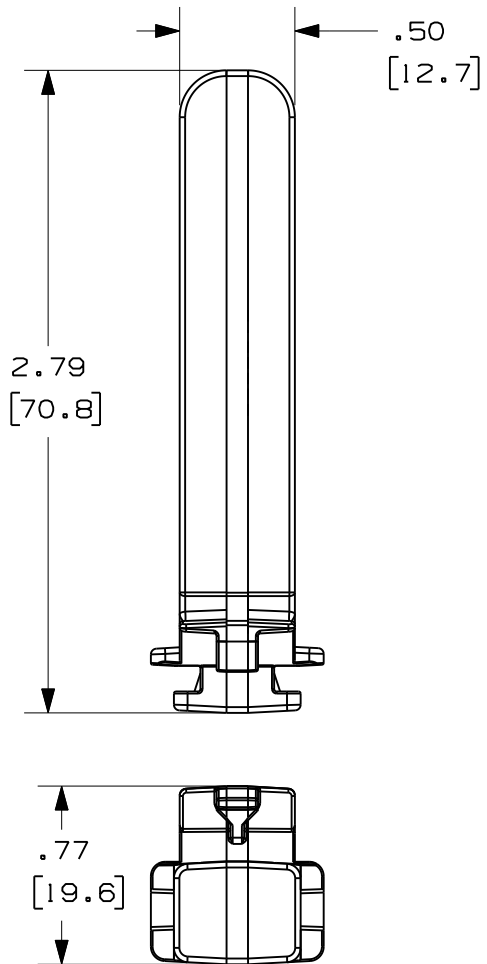
Tel: +86-755-8981 8866 Fax: +86-755-8427 6832

Email & Skype: info@chipsmall.com Web: www.chipsmall.com

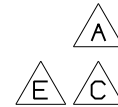
Address: A1208, Overseas Decoration Building, #122 Zhenhua RD., Futian, Shenzhen, China



THIS COPY IS PROVIDED ON A RESTRICTED BASIS AND IS NOT TO BE USED IN ANY WAY DETRIMENTAL TO THE INTERESTS OF PANDUIT CORP.

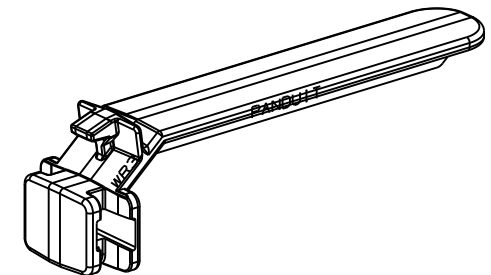
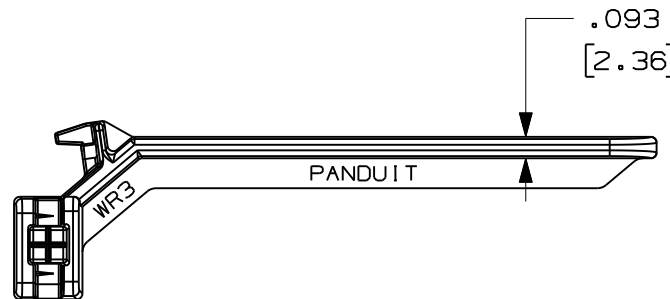


PANDUIT P/N	WEIGHT
WR3	.890 LB/ 100PCS. (405g/ 100PCS.)



NOTES:

1. SEE CURRENT CATALOG FOR ADDITIONAL PART SUFFIXES TO INDICATE COLOR AND OR PACKAGE QUANTITY.
2. THIS WIRE RETAINER IS TO BE USED TO RETAIN WIRES IN "G" or "H" DUCT SIZES 3" X 1" THRU 3" X 4".
3. DIMENSIONS IN PARENTHESIS ARE METRIC.



CAD FILENAME/LAYERS D35541DI_DC_WR3_03C.PRT

PANDUIT CORP. TINLEY PARK, ILLINOIS
 WIRING DUCT AND CABLE MANAGEMENT
 WIRE RETAINER (WR3) FOR USE WITH
 TYPE "G" & "H" DUCT - CUSTOMER DRAWING

REV	DATE	BY	CHK	DESCRIPTION	ECN	R	CUST	SUP
3	11/10/09	JCST	MRJS	E. CHANGED NOTES D. CHANGED TITLE	35541-61		HIW	HIW
2	3/9/04	JCST	JKG	C. CHANGED NOTES B. CHANGED TITLE	35541-61		HIW	HIW
1	8-29-00	JHNU	HIW	A. REVISED AND REDRAWN.	35541-61		HIW	HIW
R	3-13-97	RCA	CEF	RELEASED TO PRODUCTION	35541-61		CEF	CEF

UNLESS OTHERWISE SPECIFIED, DIMENSIONAL TOLERANCES ARE: (.X) ± (.XXX) ± (.XX) ±.03(.8) ANGLES ±		UNLESS OTHERWISE SPECIFIED, ALL DIMENSIONS ARE GIVEN IN INCHES, THIRD ANGLE PROJECTION.	
DRAWN BY RCA	MAT'L: ABS	SCALE NONE	
DATE 3-13-97		DRAWING NO. 35541-61	DWG A SIZE
CHK'D CEF			