



Chipsmall Limited consists of a professional team with an average of over 10 year of expertise in the distribution of electronic components. Based in Hongkong, we have already established firm and mutual-benefit business relationships with customers from,Europe,America and south Asia,supplying obsolete and hard-to-find components to meet their specific needs.

With the principle of “Quality Parts,Customers Priority,Honest Operation,and Considerate Service”,our business mainly focus on the distribution of electronic components. Line cards we deal with include Microchip,ALPS,ROHM,Xilinx,Pulse,ON,Everlight and Freescale. Main products comprise IC,Modules,Potentiometer,IC Socket,Relay,Connector.Our parts cover such applications as commercial,industrial, and automotives areas.

We are looking forward to setting up business relationship with you and hope to provide you with the best service and solution. Let us make a better world for our industry!



## Contact us

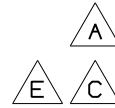
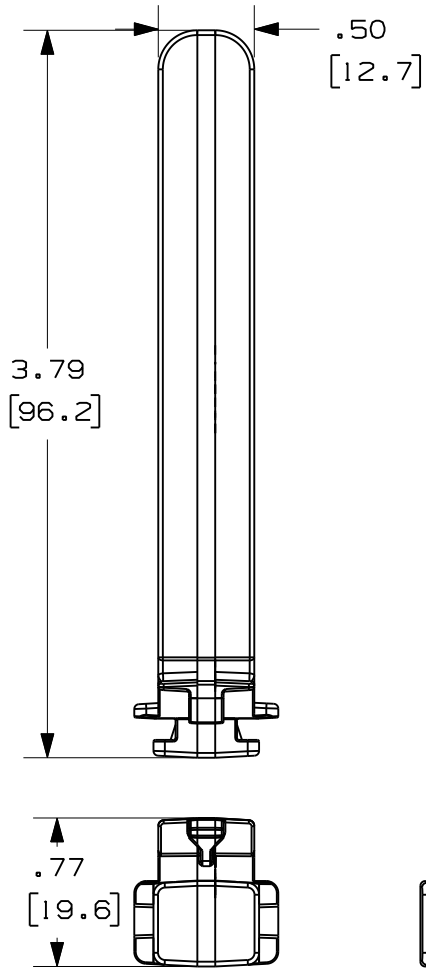
Tel: +86-755-8981 8866 Fax: +86-755-8427 6832

Email & Skype: info@chipsmall.com Web: www.chipsmall.com

Address: A1208, Overseas Decoration Building, #122 Zhenhua RD., Futian, Shenzhen, China



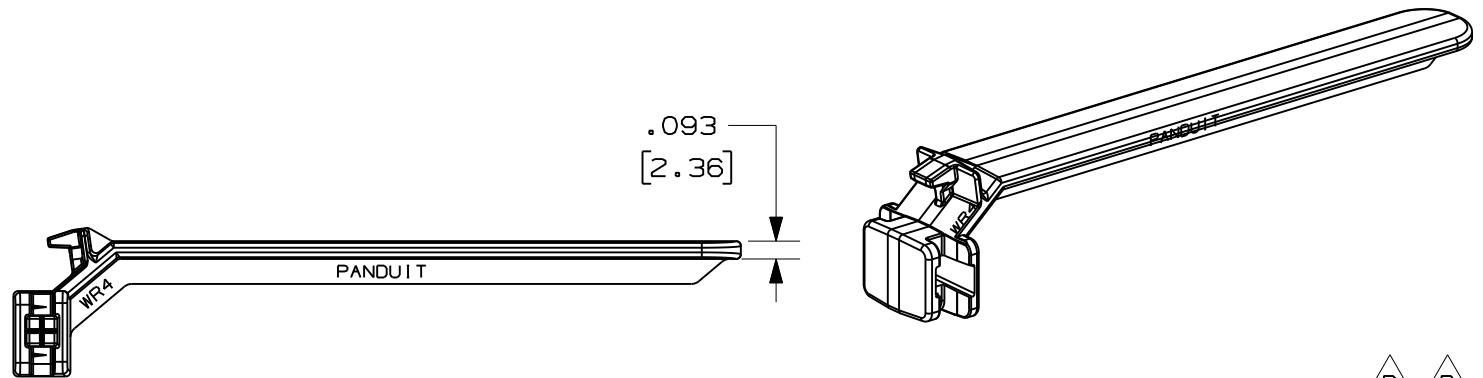
THIS COPY IS PROVIDED ON A RESTRICTED BASIS AND IS NOT TO BE USED IN ANY WAY DETRIMENTAL TO THE INTERESTS OF PANDUIT CORP.



PANDUIT P/N	WEIGHT
WR4	1.121 LB/ 100PCS. (510g/ 100PCS.)

NOTES:

1. SEE CURRENT CATALOG FOR ADDITIONAL PART SUFFIXES TO INDICATE COLOR AND OR PACKAGE QUANTITY.
2. THIS WIRE RETAINER IS TO BE USED TO RETAIN WIRES IN "G" AND "H" DUCT SIZES 4" X 1.5" THRU 4" X 4".
3. DIMENSIONS IN PARENTHESIS ARE METRIC.



CAD FILENAME/LAYERS D35541DJ\_DC\_WR4/03D

PANDUIT CORP. TINLEY PARK, ILLINOIS  
WIRING DUCT AND CABLE MANAGEMENT  
WIRE RETAINER (WR4) FOR USE WITH  
TYPE "G" & "H" DUCT - CUSTOMER DRAWING

UNLESS OTHERWISE SPECIFIED,  
DIMENSIONAL TOLERANCES ARE:  
(.X) ± (.XXX) ±  
(.XX) ±.03 (.8) ANGLES ±

UNLESS OTHERWISE SPECIFIED,  
ALL DIMENSIONS ARE GIVEN  
IN INCHES, THIRD ANGLE PROJECTION.

REV	DATE	BY	CHK	DESCRIPTION	ECN	R	CUST	SUP
3	11/10/09	JCST	MRJS	E. CHANGED NOTES D. CHANGED TITLE	35541-62		HIW	HIW
2	2/9/04	JCST	JKG	C. CHANGED NOTES B. CHANGED TITLE	35541-62		HIW	HIW
1	8-29-00	JHNU	HIW	A. REVISED AND REDRAWN.	35541-62		HIW	HIW
R	3-13-97	RCA	CEF	RELEASED TO PRODUCTION	35541-62		CEF	CEF

DRAWN BY  
RCA  
DATE  
3-13-97  
CHK'D  
CEF

MAT'L:  
ABS

SCALE  
NONE  
DRAWING NO.  
35541-62  
DWG  
A  
SIZE