



Chipsmall Limited consists of a professional team with an average of over 10 year of expertise in the distribution of electronic components. Based in Hongkong, we have already established firm and mutual-benefit business relationships with customers from,Europe,America and south Asia,supplying obsolete and hard-to-find components to meet their specific needs.

With the principle of "Quality Parts,Customers Priority,Honest Operation,and Considerate Service",our business mainly focus on the distribution of electronic components. Line cards we deal with include Microchip,ALPS,ROHM,Xilinx,Pulse,ON,Everlight and Freescale. Main products comprise IC,Modules,Potentiometer,IC Socket,Relay,Connector.Our parts cover such applications as commercial,industrial, and automotives areas.

We are looking forward to setting up business relationship with you and hope to provide you with the best service and solution. Let us make a better world for our industry!



Contact us

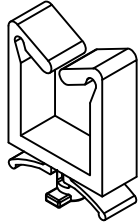
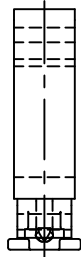
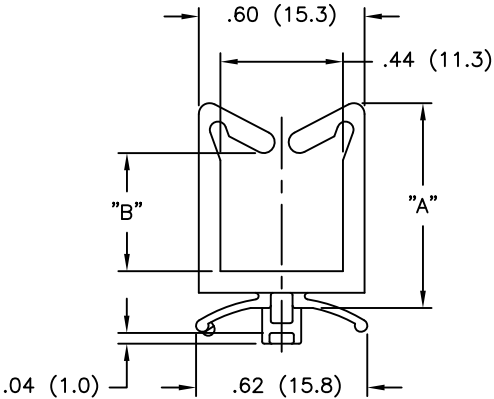
Tel: +86-755-8981 8866 Fax: +86-755-8427 6832

Email & Skype: info@chipsmall.com Web: www.chipsmall.com

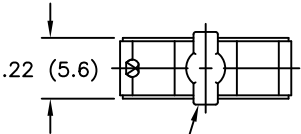
Address: A1208, Overseas Decoration Building, #122 Zhenhua RD., Futian, Shenzhen, China



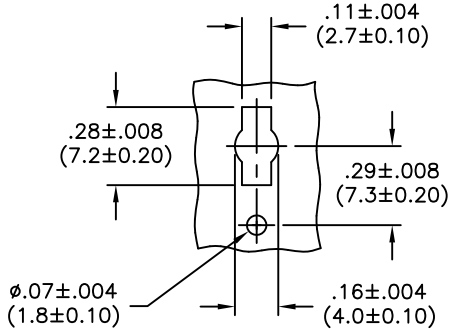
PART NO.	DIM. "A"	DIM. "B"
WS-9-1-01	.51 (13.0)	.19 (4.8)
WS-9-2-01	.70 (17.8)	.39 (10.0)
WS-9-3-01	1.06 (26.9)	.75 (19.1)
WS-9-4-01	1.37 (34.8)	1.07 (27.2)



MOUNTING HOLE DETAIL



PART TO FIT THE HOLE DETAIL
IN A .031-.063 (0.80-1.60)
PANEL THICK



NOTES:

- MATERIAL: NYLON 6/6 (RMS-01), UL94 V-2
FLAME RETARDANT, NYLON (RMS-19), UL94 V-0,
AVAILABLE BY SPECIAL ORDER ONLY.
- COLOR: NATURAL.
- ALL DIMENSIONS ARE REFERENCE.

REV	DESCRIPTION	ENGR	DATE
A	REDRAWN FROM RICHCO UK PRINT (REV."A")	SM	03.06.02

TITLE: WIRE SADDLE, (QUARTER-TURN BASE)				DWG IN IN (MM) FINAL			
TOLERANCES UNLESS NOTED .XX=±.010 .XXX=±.005 FRAC=±1/64 ANG=±1'		FILE # WS-9	DWN: SM	APP:		PART #	
		MAT'L: SEE NOTES	DT: 03/06/02	DT:		SEE TABLE	
		RE: RICHCO, INC.	RICHCO INC. PO BOX 804238, CHICAGO, 60680 (773) 539-4060				PRINT TYPE CA