



Chipsmall Limited consists of a professional team with an average of over 10 year of expertise in the distribution of electronic components. Based in Hongkong, we have already established firm and mutual-benefit business relationships with customers from,Europe,America and south Asia,supplying obsolete and hard-to-find components to meet their specific needs.

With the principle of “Quality Parts,Customers Priority,Honest Operation,and Considerate Service”,our business mainly focus on the distribution of electronic components. Line cards we deal with include Microchip,ALPS,ROHM,Xilinx,Pulse,ON,Everlight and Freescale. Main products comprise IC,Modules,Potentiometer,IC Socket,Relay,Connector.Our parts cover such applications as commercial,industrial, and automotives areas.

We are looking forward to setting up business relationship with you and hope to provide you with the best service and solution. Let us make a better world for our industry!



Contact us

Tel: +86-755-8981 8866 Fax: +86-755-8427 6832

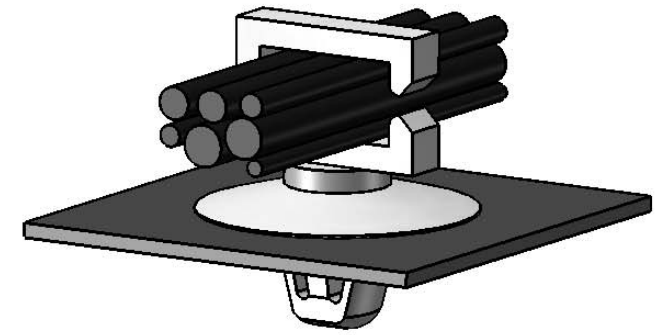
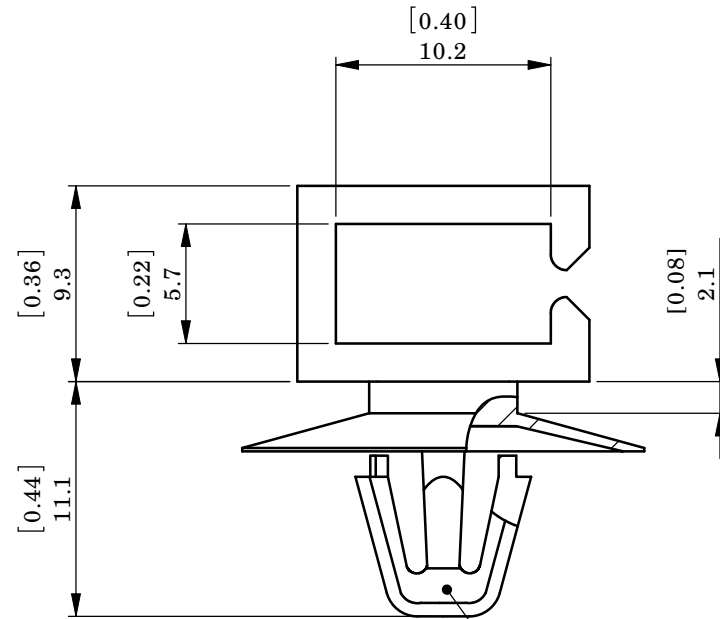
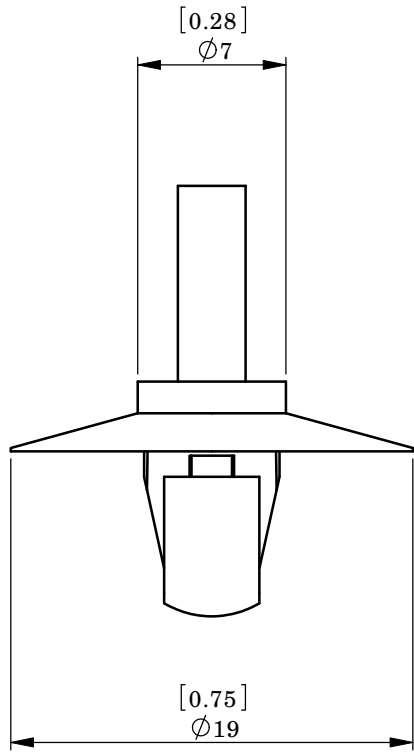
Email & Skype: info@chipsmall.com Web: www.chipsmall.com

Address: A1208, Overseas Decoration Building, #122 Zhenhua RD., Futian, Shenzhen, China



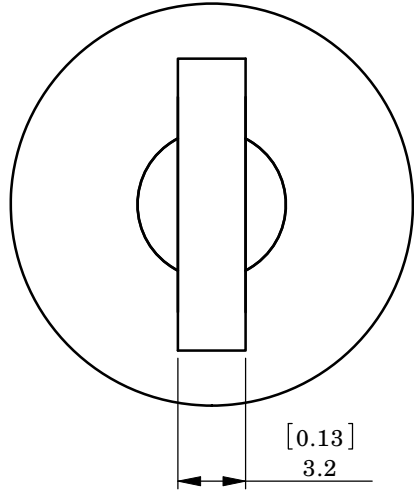
A B C D E F

REV.	MODIFICATION.	DATE	DRN
05	ECN2008-023	04/02/08	TC
06	CO2010352	29/08/08	SF
07	CO2010992	15/09/10	SF



APPLICATION VIEW

TO SNAP LOCK IN A $\varnothing 6.5 \pm 0.08$ HOLE INTO A 0.8-1.6 THICK PANEL



PARTNUMBER	MATERIAL
WS-SE-A-4-01	NYLON 6/6 UL94 V-2(RMS-01)
WS-SE-A-4-109	NYLON 4/6 UL94 V-2 HEATSTAB(RMS-109)

INFORMATION CONTAINED IN THIS DOCUMENT IS CONFIDENTIAL TO RICHCO INTERNATIONAL Co. Ltd. AND MAY NOT BE DISCLOSED OR REPRODUCED IN WHOLE OR PART WITHOUT THEIR WRITTEN CONSENT.

RICHCO, INC. WWW.RICHCO-INC.COM	ALL DIMENSIONS IN mm & [INCH] GENERAL TOLERANCES ± 0.25 [0.010] UNLESS OTHERWISE STATED 1 DECIMAL PLACE ± 0.25 [0.010] 2 DECIMAL PLACES ± 0.10 [0.004] ANGULAR $\pm 1^\circ$	THIRD ANGLE

MATERIAL:	SEE TABLE	COLOR:	NATURAL
-----------	-----------	--------	---------

DESCRIPTION:	EDGE WIRE SADDLE CUPPED ARROWHEAD	PART No:	WS-SE-A-4-XX
--------------	--------------------------------------	----------	--------------

DRG No:	04-087	NPR No:	2004-118 & 349	Mass:(g)	0.7	SHEET SIZE	A4
---------	--------	---------	----------------	----------	-----	------------	----

DRN	DATE	CHKD	DATE	SCALE	SHEET No.
OW	20/04/04	NJB	23/08/04	NTS	1 OF 1

A B C D E F