



Chipsmall Limited consists of a professional team with an average of over 10 year of expertise in the distribution of electronic components. Based in Hongkong, we have already established firm and mutual-benefit business relationships with customers from,Europe,America and south Asia,supplying obsolete and hard-to-find components to meet their specific needs.

With the principle of “Quality Parts,Customers Priority,Honest Operation,and Considerate Service”,our business mainly focus on the distribution of electronic components. Line cards we deal with include Microchip,ALPS,ROHM,Xilinx,Pulse,ON,Everlight and Freescale. Main products comprise IC,Modules,Potentiometer,IC Socket,Relay,Connector.Our parts cover such applications as commercial,industrial, and automotives areas.

We are looking forward to setting up business relationship with you and hope to provide you with the best service and solution. Let us make a better world for our industry!



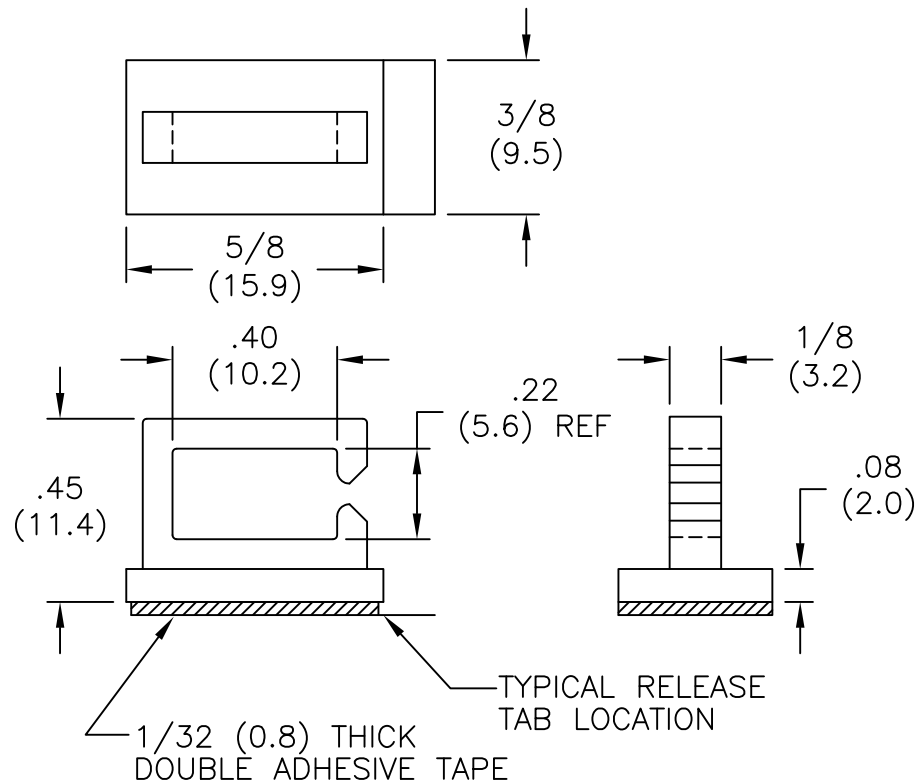
Contact us

Tel: +86-755-8981 8866 Fax: +86-755-8427 6832

Email & Skype: info@chipsmall.com Web: www.chipsmall.com

Address: A1208, Overseas Decoration Building, #122 Zhenhua RD., Futian, Shenzhen, China

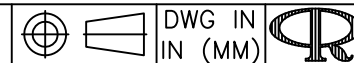




NOTES:

1. MATERIAL: NYLON 6/6 (RMS-01).
FLAME RETARDANT NYLON (RMS-19),
AVAILABLE BY SPECIAL ORDER ONLY.
2. COLOR: NATURAL.
3. ACRYLIC ADHESIVE TAPE (RMS-15), WHITE LINER.

TITLE: WIRE SADDLE SIDE ENTRY ON BASE



DWG IN
IN (MM)



FINAL

E	SEE CO 200773 FOR CHANGES	SK 04.30.12
D	SEE CO 200236 FOR CHANGES	SK 09.09.08
C	DELETED STRAY TEXT	SJ 5.03.02
B	EDITED NOTE 1 & ADDED NOTE 2, 3	SJ 03.05.02
A	CHANGED FILE NO. AND TITLE BLOCK	SM 05.30.01
REV	DESCRIPTION	ENGR DATE

TOLERANCES
UNLESS NOTED
.XX=±.020
.XXX=±.015
FRAC=±1/64
ANG=±1°

FILE # WSSEB1
MAT'L: SEE NOTES
RE: RICHCO, INC.

DWN: J.B.
DT: 12-15-95
APP:
DT:
RICHCO INC.
PO BOX 804238, CHICAGO, 60680
(773) 539-4060

PART #
WS-SE-B-1-01A
PRINT
TYPE
CA