



Chipsmall Limited consists of a professional team with an average of over 10 year of expertise in the distribution of electronic components. Based in Hongkong, we have already established firm and mutual-benefit business relationships with customers from,Europe,America and south Asia,supplying obsolete and hard-to-find components to meet their specific needs.

With the principle of “Quality Parts,Customers Priority,Honest Operation,and Considerate Service”,our business mainly focus on the distribution of electronic components. Line cards we deal with include Microchip,ALPS,ROHM,Xilinx,Pulse,ON,Everlight and Freescale. Main products comprise IC,Modules,Potentiometer,IC Socket,Relay,Connector.Our parts cover such applications as commercial,industrial, and automotives areas.

We are looking forward to setting up business relationship with you and hope to provide you with the best service and solution. Let us make a better world for our industry!



Contact us

Tel: +86-755-8981 8866 Fax: +86-755-8427 6832

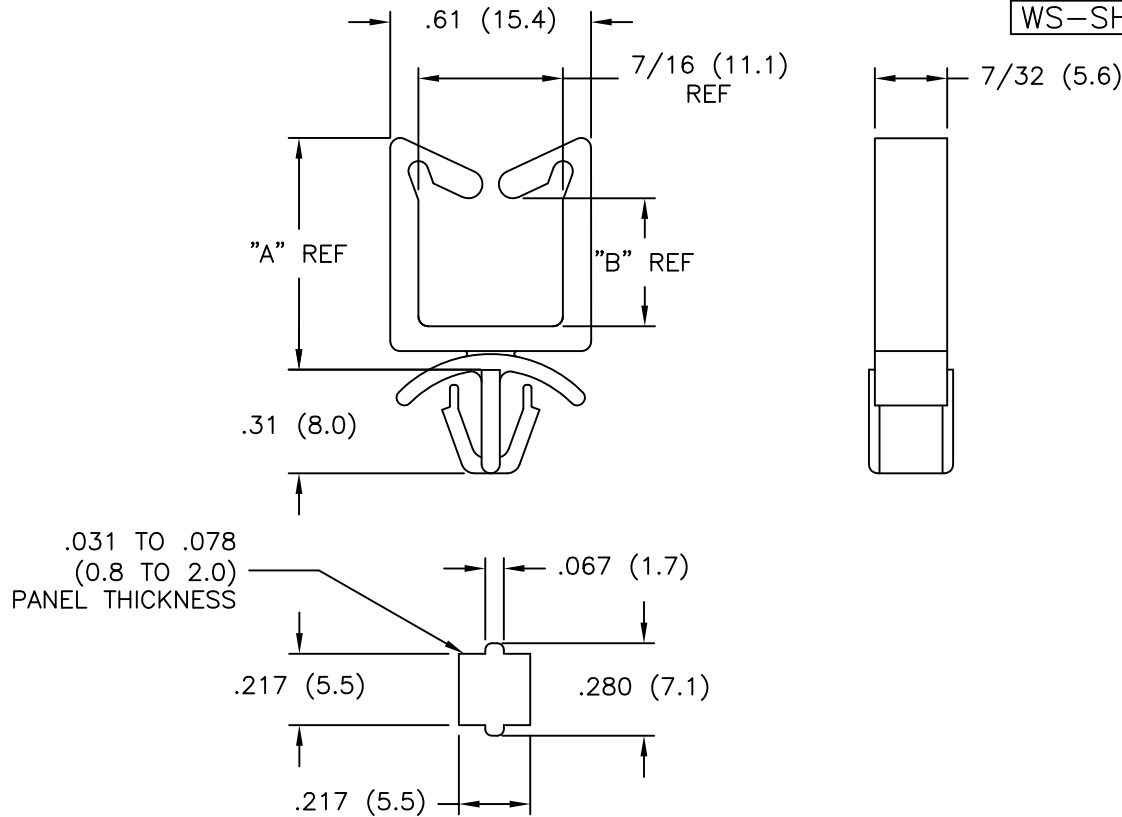
Email & Skype: info@chipsmall.com Web: www.chipsmall.com

Address: A1208, Overseas Decoration Building, #122 Zhenhua RD., Futian, Shenzhen, China



AVAILABLE BY SPECIAL ORDER ONLY

PART NO.	"A"	"B"
WS-SH-1-01	.51 (13.0)	.19 (4.8)
WS-SH-2-01	.71 (18.0)	.39 (9.9)
WS-SH-3-01	1.06 (26.9)	.75 (19.1)
WS-SH-4-01	1.37 (34.8)	1.07 (27.2)



NOTES:

- MATERIAL: NYLON 6/6 UL94 V-2 (RMS-01).
 -NYLON 6/6 UL94 V-0 (RMS-19),
 -NYLON 4/6 UL94 V-2 (RMS-109)
- COLOR: NATURAL.

REV			TITLE: WIRE SADDLE SQUARE HOLE ENTRY			DWG IN IN (MM)		FINAL		PRINT TYPE		
F	UPDATED TOLERANCES, CO 200545	SK 06.23.10	TOLERANCES UNLESS NOTED .XX=±.010 .XXX=±.005 FRAC=±1/64 ANG=±1°			FILE #	WS-SH	DWN:	P.B.	APP:	PART # SEE TABLE PRINT TYPE CA	
E	ADDED RMS-109 NOTE, CO200541	SK 06.21.10				MAT'L:	SEE NOTES	DT:	08-04-94	DT:		
D	SEE ECN #862 FOR CHANGES	SM 10.04.04				RE:	RICHCO, INC.	RICHCO INC.				
C	UPDATED PRINT AND CHANGED FILE NO.	SM 03.11.02				PO BOX 804238, CHICAGO, 60680			(773) 539-4060			
B	DIM "A" LOCATION CHANGED	JL 8.4.99										
A	-01 ADDED TO P/N'S	PB 110994										
REV	DESCRIPTION	ENGR DATE										